



A40HP STAGE-5

PARTS

13822 Oaks Avenue
Chino, CA 91710
reedpumps.com
909-287-2100

PUMPING TRAIN ASSEMBLY PART BREAK-DOWN	3
CONCRETE CYLINDER ASSEMBLY	5
FLUSHBOX ASSEMBLY	5
S-TUBE ASSEMBLY	7
5" OUTLET ASSEMBLY	7
5" OUTLET SEAL KIT INSTALLATION	8
WEAR PLATE ASSEMBLY	9
6" PISTON CUP ASSEMBLY	10
DRIVE CYLINDER ASSEMBLY	11
SINGLE SHIFT BELL CRANK ASSEMBLY	12
SINGLE SHIFT SWING CYLINDER ASSEMBLY	13
HOPPER GRATE ASSEMBLY	14
CLEAN OUTDOOR ASSEMBLY	15
POWER TRAIN	16
ENGINE STAGE-5 PERKINS	16
MAIN HYDRAULIC PUMP	18
GEAR PUMP/PUMP DRIVE	18
ENGINE MOUNTS	19
HYDRAULIC / FUEL TANK ASSEMBLY	19
HYDRAULIC FILTER ASSEMBLY	21
HYDRAULIC LINES, HOSES, AND FITTINGS	23
OIL COOLER ASSY	27
OIL COOLER SENSOR	28
MAIN PUMP MANIFOLD ASSEMBLY	28
SOLENIOD VALVE ASSEMBLIES	31
ELECTRICAL GROUP	38
BATTERY	38
PROXIMITY SWITCHES	39
TRAILER HARNESS AND BREAKAWAY	40
ENGINE/PUMP WIRING HARNESS	41
A-SERIES TIER 4 CONTROL BOX PLC	42
KEYPAD 2X6	45
KEYPAD 2X2	46
ESTOP, KEY ASSEMBLY, PLUGS	49
CONNECTORS	50
CONTROL PANEL MOUNT, BRACKET	52
FRAME INSTALLATION	54
FRAME, TIRES, JACK, AND TOW EYE, FENDER TRAILER LIGHTS	54
7000LB AXLE MOUNTING ASSEMBLY	55
HOOD AND COVERS	56



A40HP STAGE-5 PARTS

13822 Oaks Avenue
Chino, CA 91710
reedpumps.com
909-287-2100

AVAILABLE OPTIONS 58
 AGITATOR ASSEMBLY 61
 OUTRIGGER/AGITATOR ASSEMBLY 63

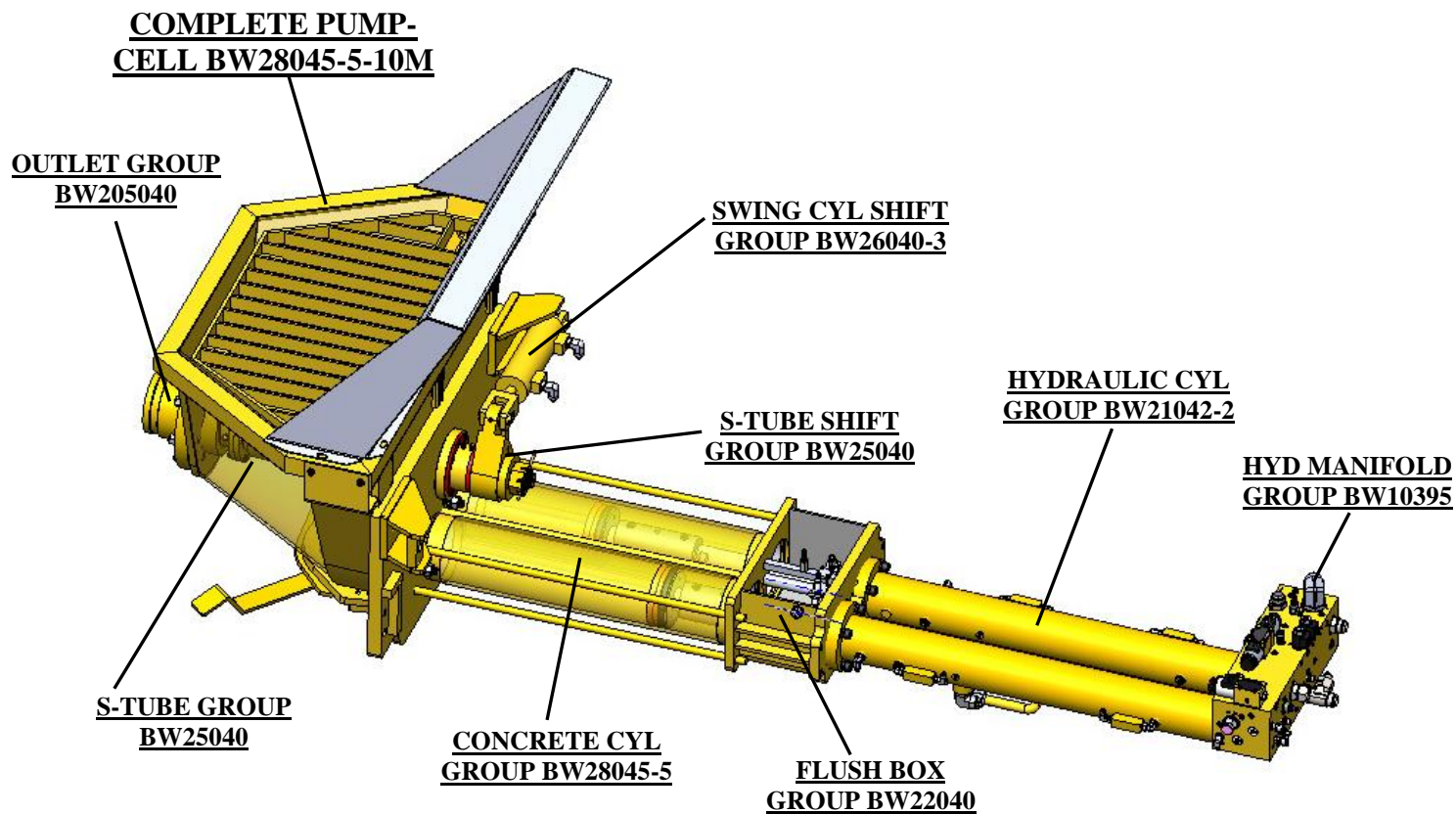
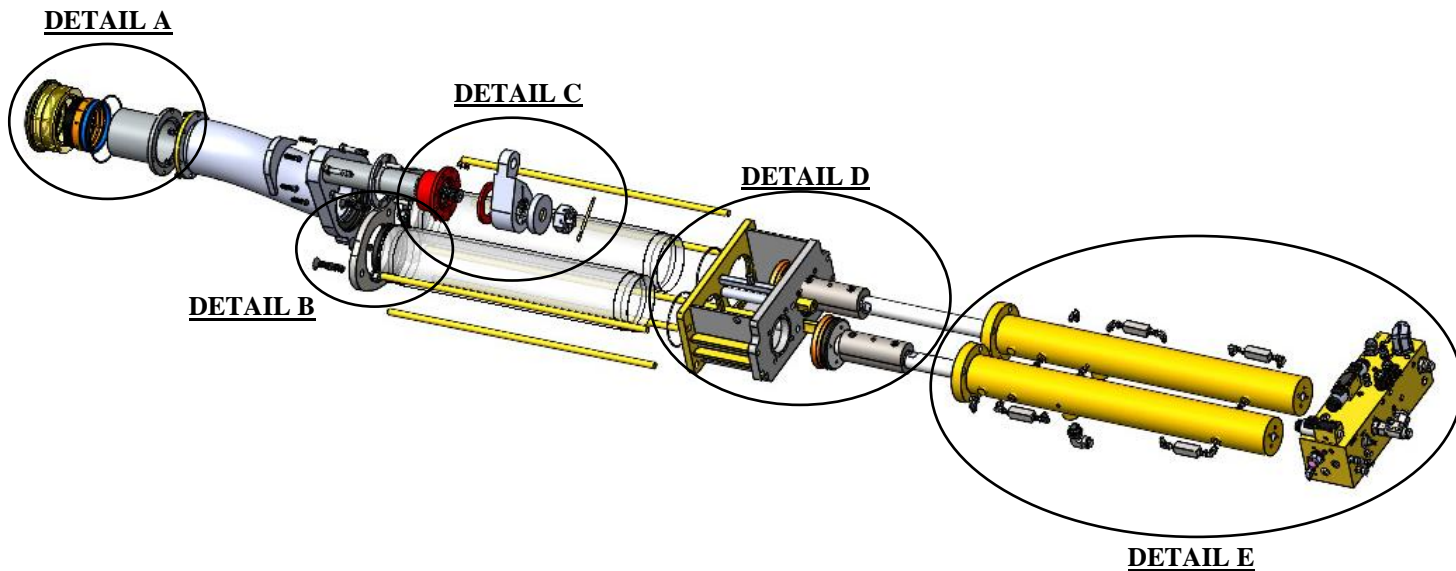
REV	DATE	DESCRIPTION	NAME
A40HP-V31-STAGE-5	04/08/2024	INITIAL	J.SLACK
1.1	07/31/2024	FIXED ENGINE DESCRIPTION	J.SLACK
1.2	12/11/2024	E-STOP CHANGE	J.SLACK



A40HP STAGE-5 PARTS

13822 Oaks Avenue
Chino, CA 91710
reedpumps.com
909-287-2100

PUMPING TRAIN ASSEMBLY PART BREAK-DOWN



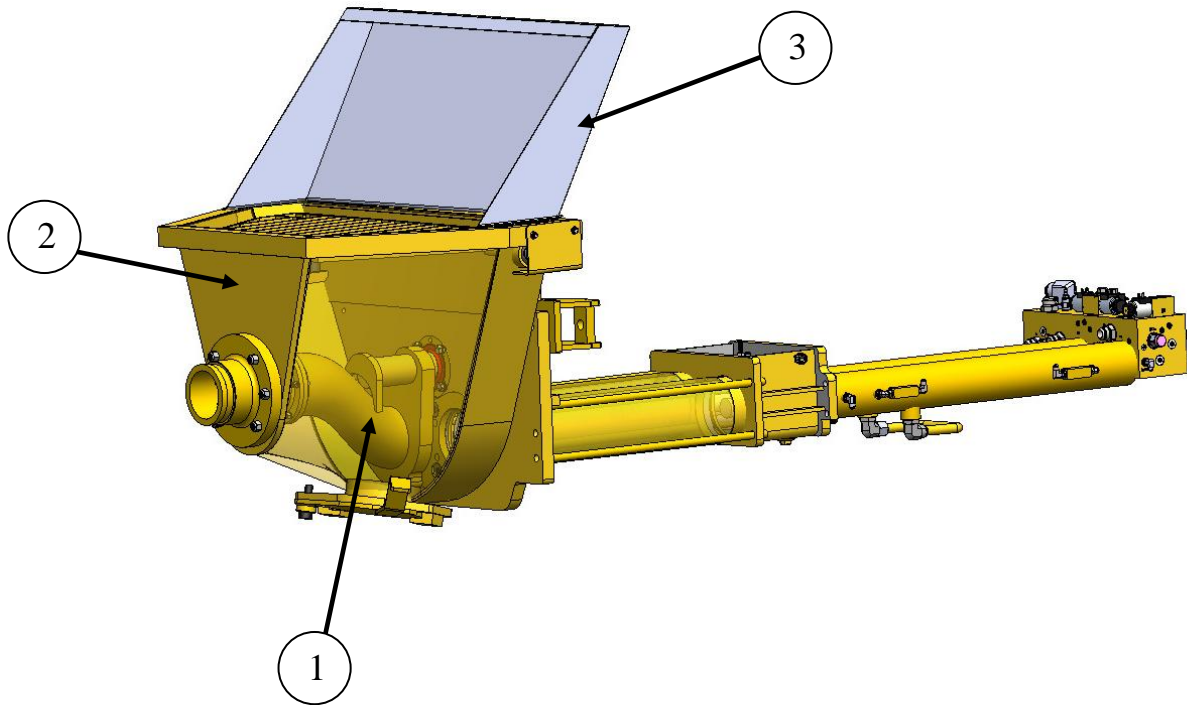


A40HP STAGE-5

PARTS

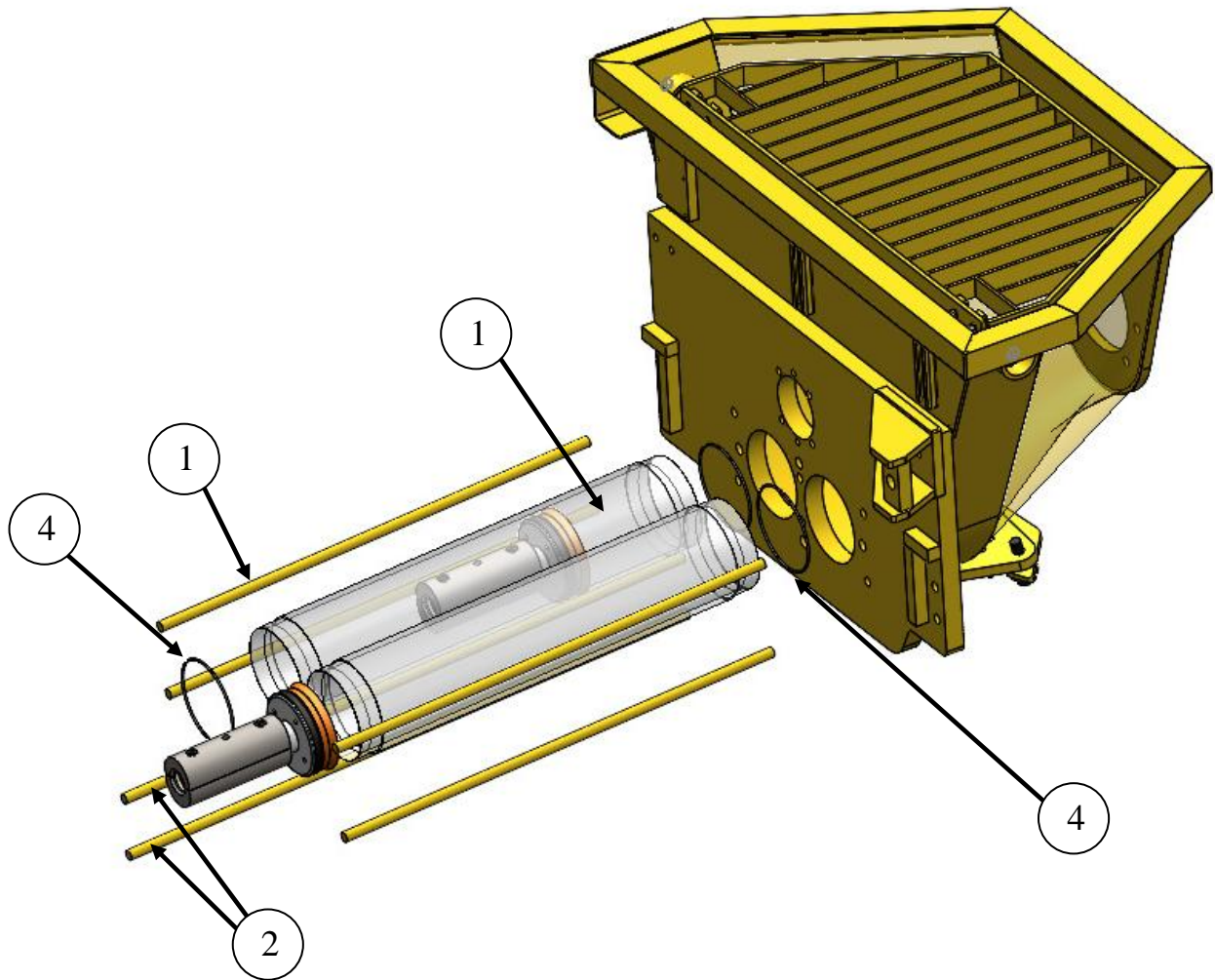
13822 Oaks Avenue
Chino, CA 91710
reedpumps.com
909-287-2100

PUMPING TRAIN ASSEMBLY CONTINUED



ID #	PART #	PART DESCRIPTION	QUANTITY	
	BW28045-5-10	PUMP CELL ASSEMBLY A40 W/SAFTY SWITCH, JARP-HYDATECH 10" CLEAN-OUT		REF
1	BW10391	S TUBE WELDMENT, 6X5 A40	1	EA
2	BW10363A-10	HOPPER, WELDMENT A40 10" CLEANOUT	1	EA
3	85714-1	SPLASH GUARD	1	EA

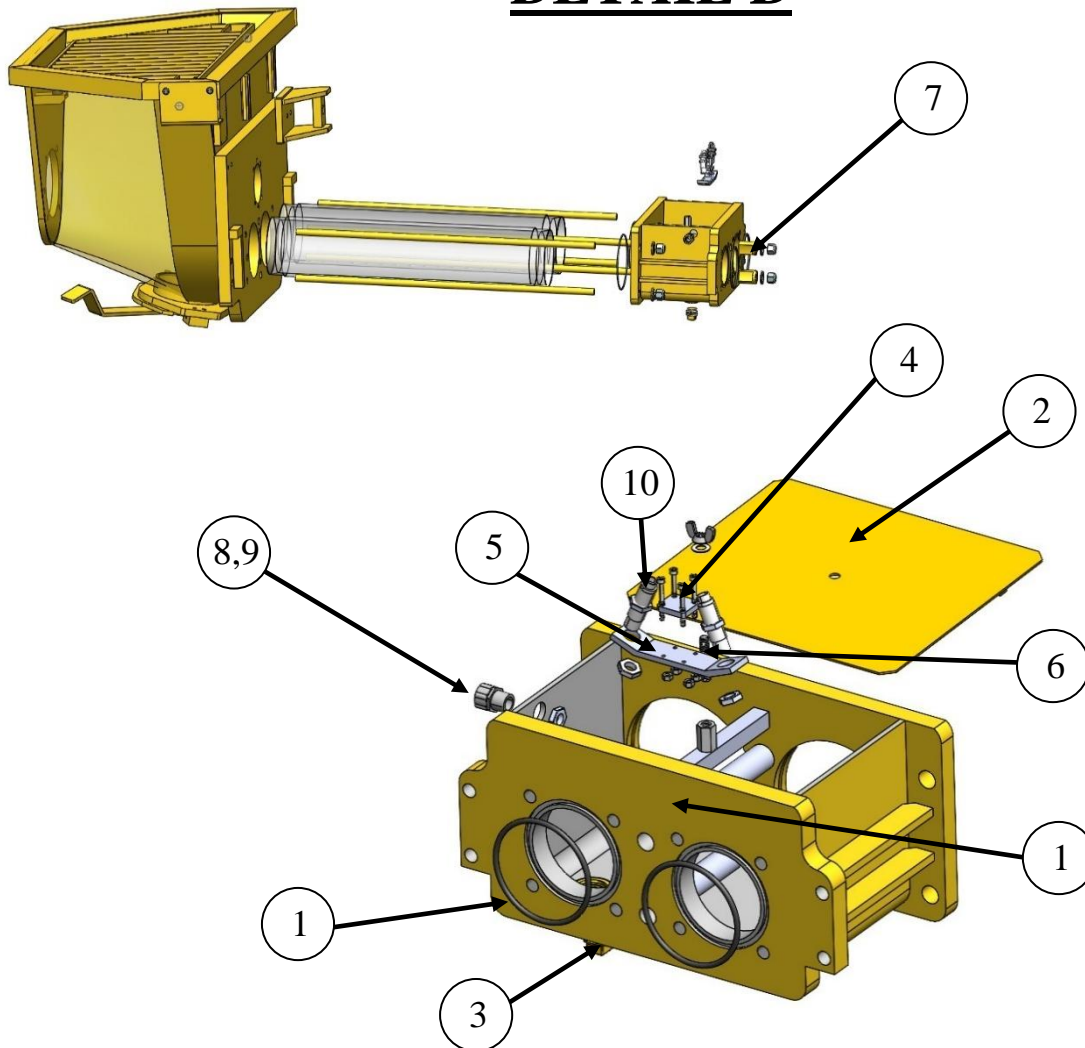
CONCRETE CYLINDER ASSEMBLY



ID #	PART #	PART DESCRIPTION	QUANTITY	
1	BW10380	TIE ROD, SHORT, A40	4	EA
2	BW10381	TIE ROD, LONG, A40	2	EA
3	BW10376	CONCRETE CYLINDER, 6" X 30" A40	2	EA
4	87786	O-RING-348 BUNA 70	2	EA

FLUSHBOX ASSEMBLY

DETAIL D

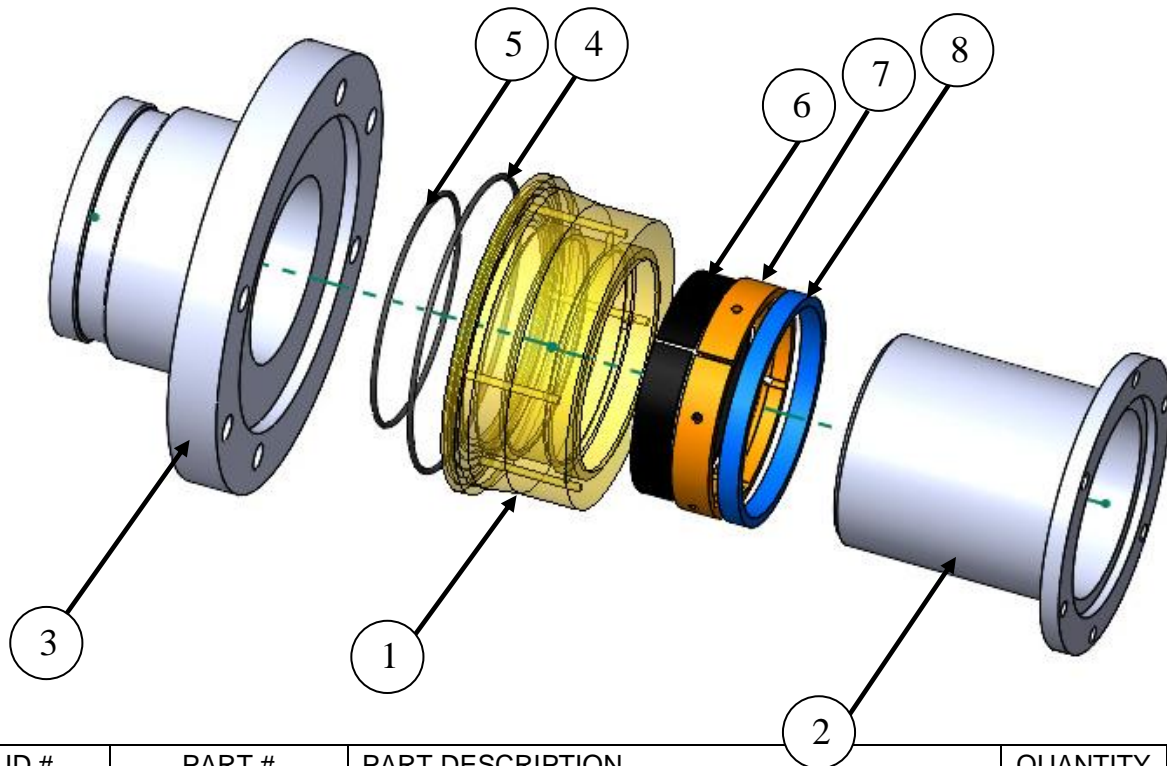


ID #	PART #	PART DESCRIPTION	QUANTITY	
1	BW10368	FLUSH BOX WELDMENT, A40	1	EA
2	BW10387	COVER, FLUSH BOX	1	EA
3	10282	PLUGS-PIPE GALV 1"	1	EA
4	BW10102	BRACKET, PROX SWITCH	1	EA
5	BW10383	BRACKET, PROX SWITCH	1	EA
6	BW10193	STUD, 3/8-16 X 2" LONG	1	EA
7	BW10379	SPACER, TIE ROD, A40	2	EA
8	10522	STRAIN RELIEF	1	EA
9	10528	NUT 1/2" BONDING TYPE LOCK	1	EA
10	77998	PROXIMITY SENSOR NPN	2	EA

S-TUBE ASSEMBLY

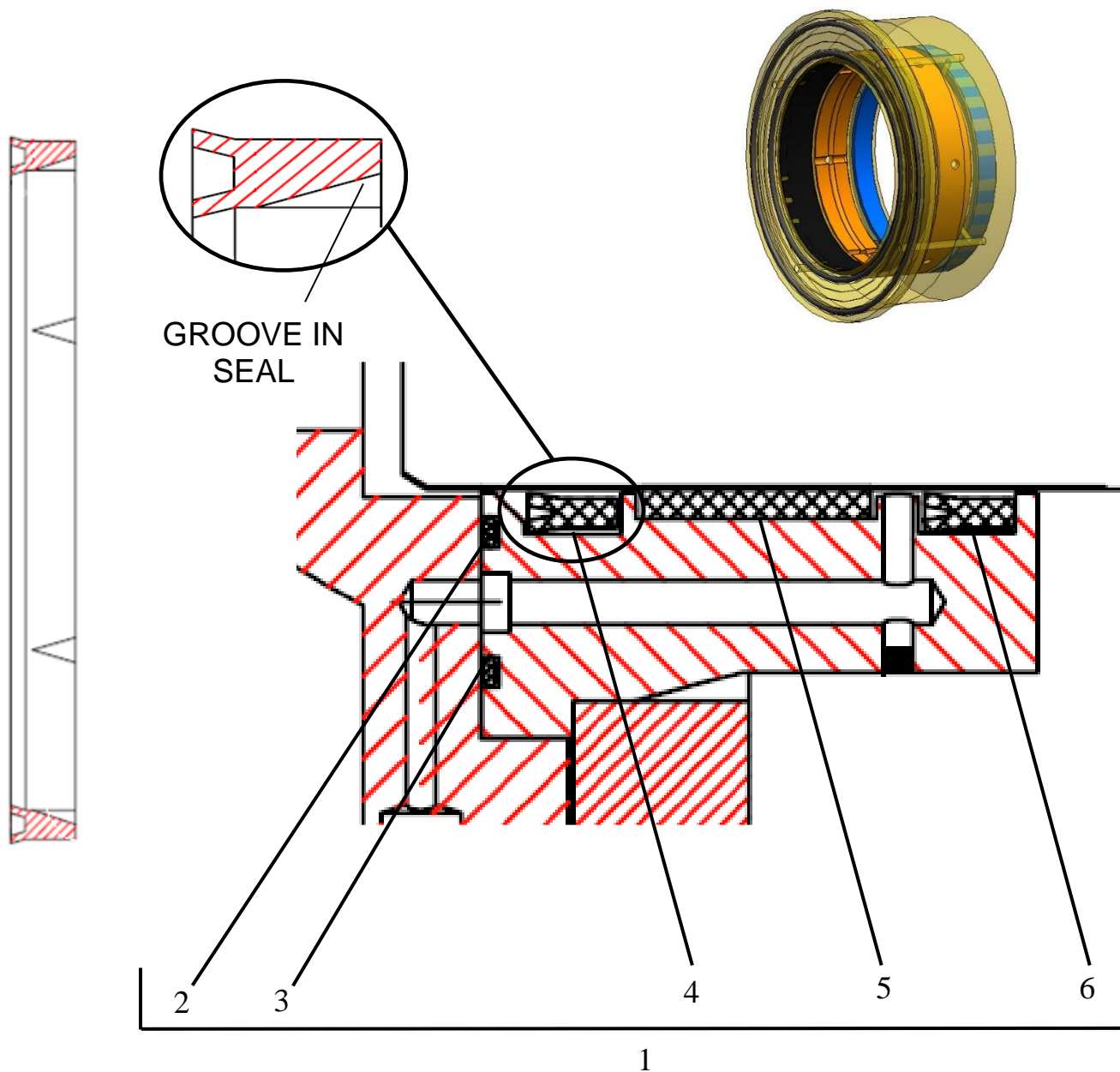
5" OUTLET ASSEMBLY

DETAIL A



ID #	PART #	PART DESCRIPTION	QUANTITY	
	86321	OUTLET GROUP	REF	
	86321	OUTLET ASSEMBLY	1	EA
		HHCS, 5/8-18 x 3" GR/8	6	EA
		LOCK NUT, 5/8-18	6	EA
		GREASE FITTING, 1/8" NPT 90°	2	EA
1	72309	OUTLET SEAL HOUSING	1	EA
2	70042	WELD. -CHROMED OUTLET	1	EA
		HHCS, 3/8 - 16 X1 1/2" GR 8	6	EA
		HEX NUT, 3/8" - 16	6	EA
		LOCK WASHER, 3/8"	6	EA
3	72482	OUTLET, 5" (1-PIECE)	1	EA
	79895	SEAL KIT	1	EA
4	77762	O-RING-#257 BUNA 90	1	EA
5	77761	O-RING-#264 BUNA 90	1	EA
6	86504	SEAL-MODIFIED- 5 IN OUTLET	1	EA
7	77763	GUIDE BAND - 5.375 OD X 1.00W	1	EA
8	77765	LIP SEAL -5.50 ID X 6.00 OD X .56	1	EA

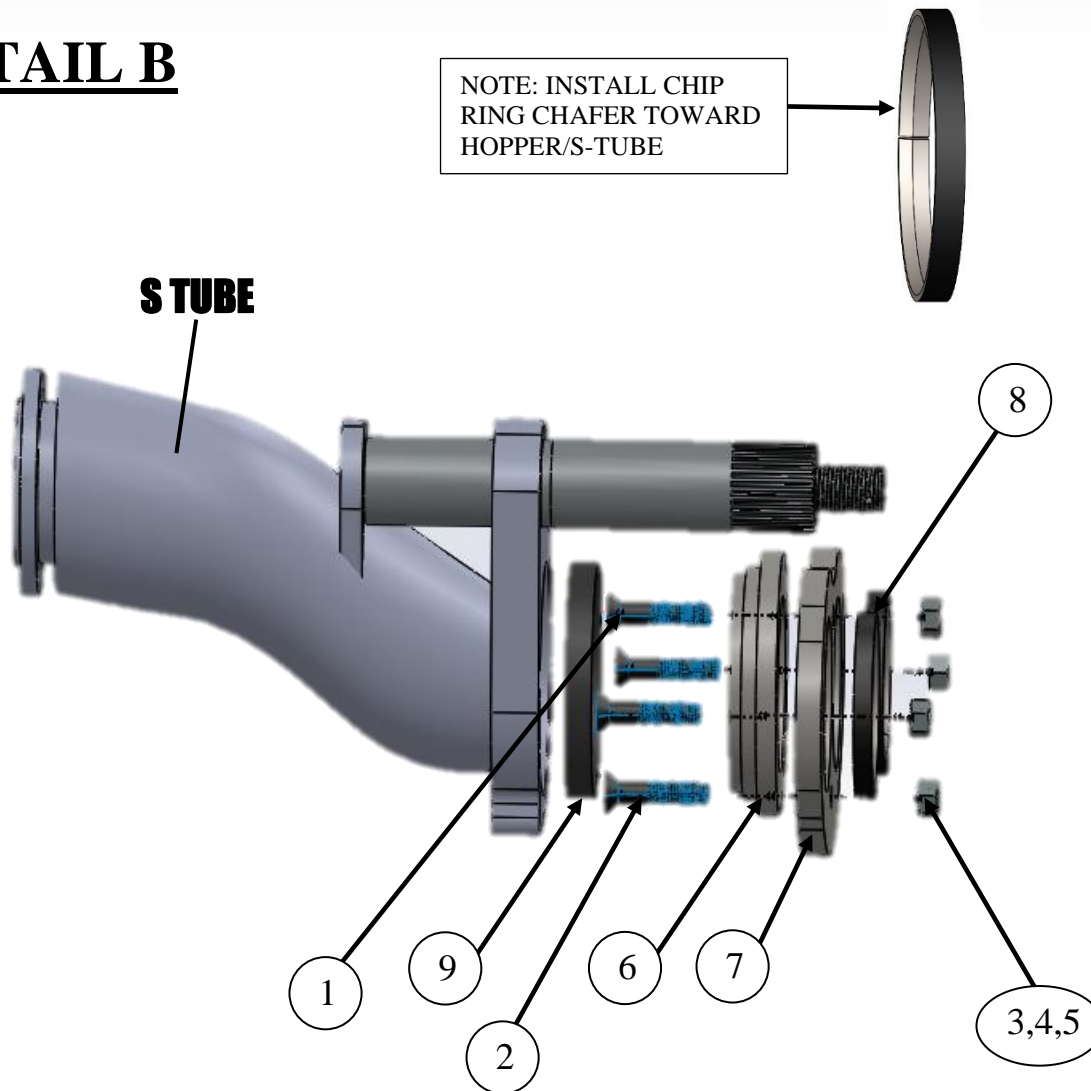
5" OUTLET SEAL KIT INSTALLATION



ID #	PART #	PART DESCRIPTION	QUANTITY	
1	79895	SEAL KIT (SPARE-PARTS)	1	EA
2	77762	O-RING-#257 BUNA 90	1	EA
3	77761	O-RING-#264 BUNA 90	1	EA
4	86504	SEAL-MODIFIED- 5 IN OUTLET	1	EA
5	77763	GUIDE BAND – 5.375 OD X 1.00W	1	EA
6	77765	LIP SEAL -5.50 ID X 6.00 OD X.56	1	EA

WEAR PLATE ASSEMBLY

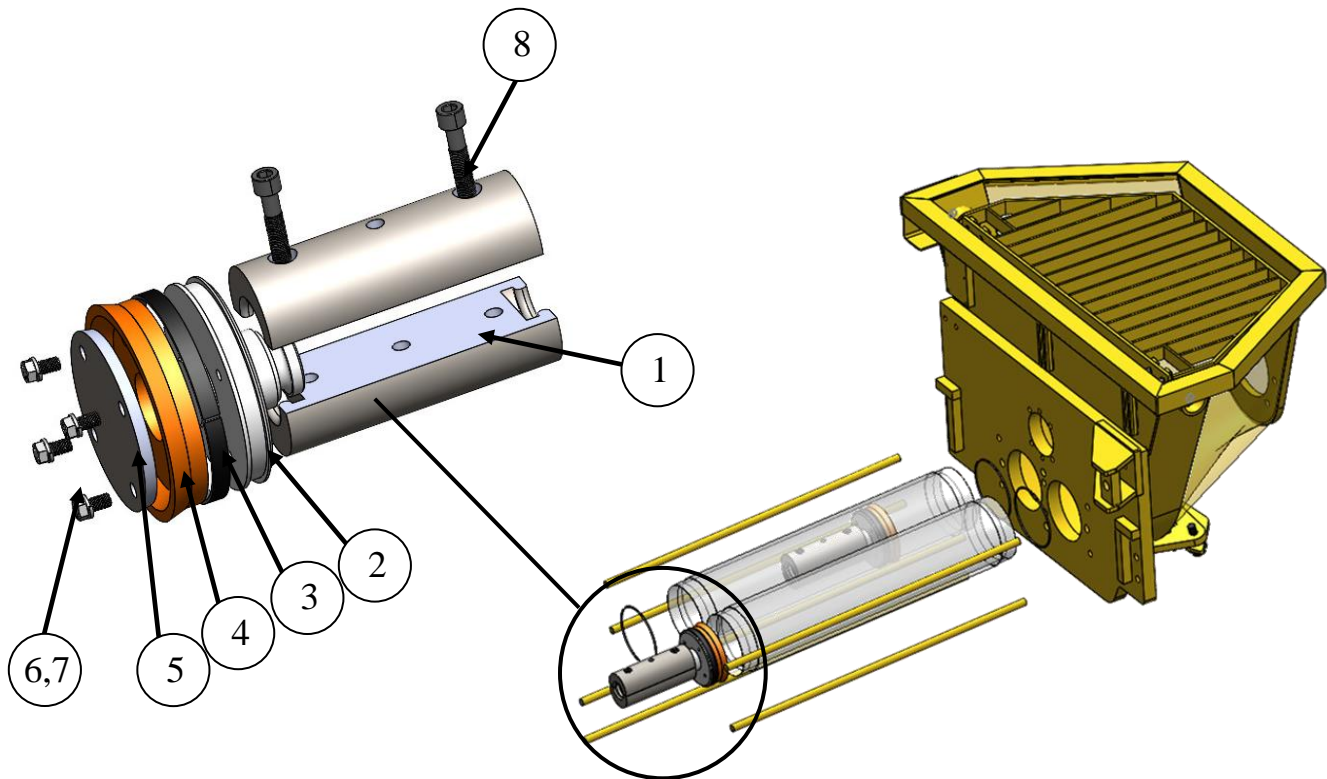
DETAIL B



ID #	PART #	PART DESCRIPTION	QUANTITY	
1		FHCS, 3/4 - 10X 4 1/2" GR 8	1	EA
2		FHCS, 3/4 - 10X 3 1/2" GR 8	3	EA
3		HEX NUT, 3/4" - 10	4	EA
4		LOCK WASHER, 3/4"	4	EA
5		FLATWASHER, 3/4"	4	EA
6	72310	WEAR RING, CHROME, 6"-26% MACH'D	1	EA
7	BW10382	WEAR PLATE 6" A40 SELL W/2EA 86086 CHIP RING	1	EA
8	86086	CHIP RING, 6"	2	EA
9	86085	SEAL, SINGLE LIP, 6"	1	EA

6" PISTON CUP ASSEMBLY

DETAIL D



ID #	PART #	PART DESCRIPTION	QUANTITY	
1	86010	PISTON COUPLING (SET)	1	E/SIDE
2	77194	PISTON ADAPTER 6"	1	E/SIDE
3	77120	WEAR RING (GUIDE BAND) 6"	1	E/SIDE
4	70048	PISTON CUP, 6 IN.	1	E/SIDE
5	70057	PISTON PLATE 6"	1	E/SIDE
6		HHCS, 3/8-24 x1 3/4" GR 8	4	E/SIDE
7		INTERNAL LOCKWASHER 3/8	4	E/SIDE
8		SHCS 1/2 - 24 x 2 1/4"	2	E/SIDE



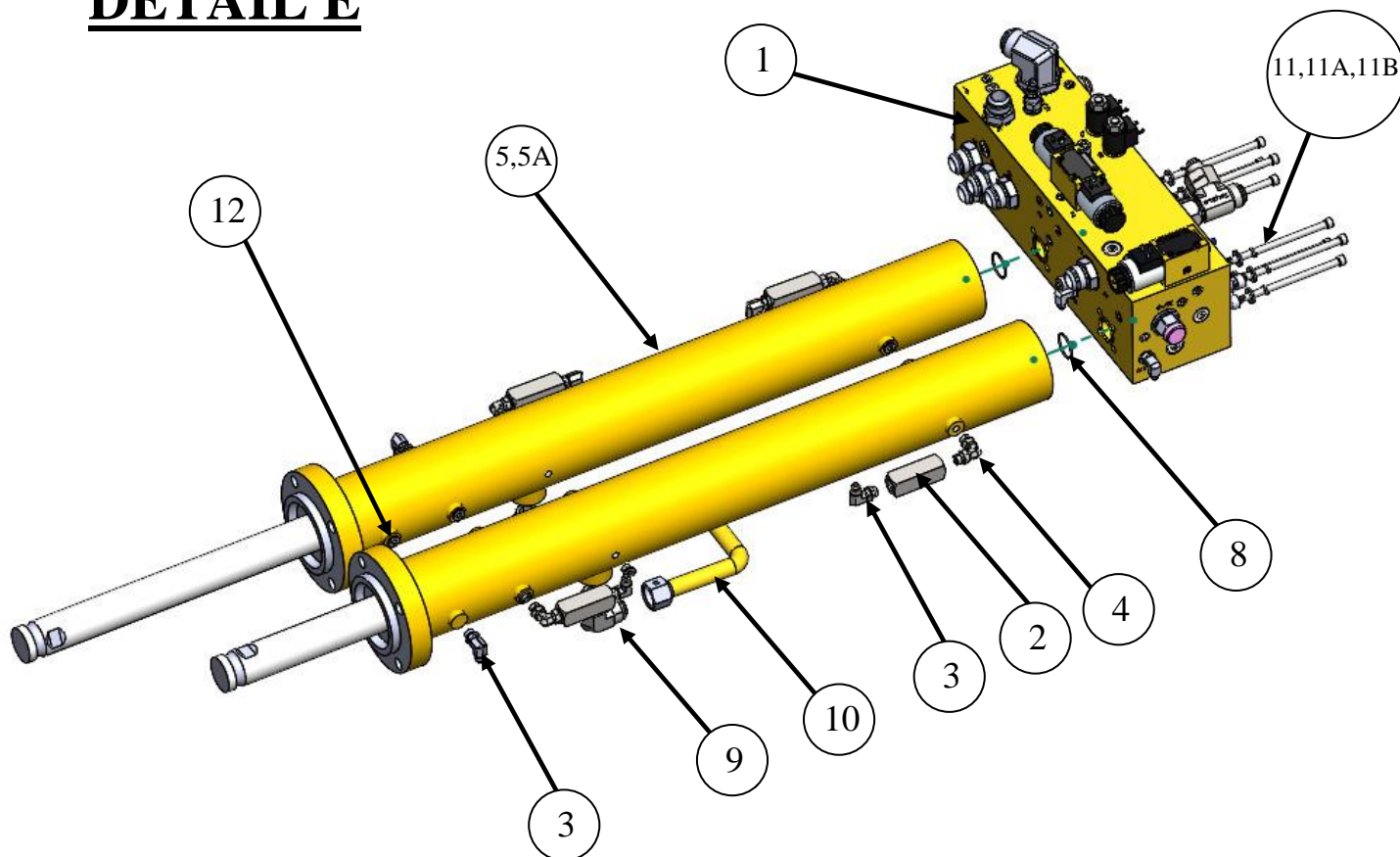
A40HP STAGE-5

PARTS

13822 Oaks Avenue
Chino, CA 91710
reedpumps.com
909-287-2100

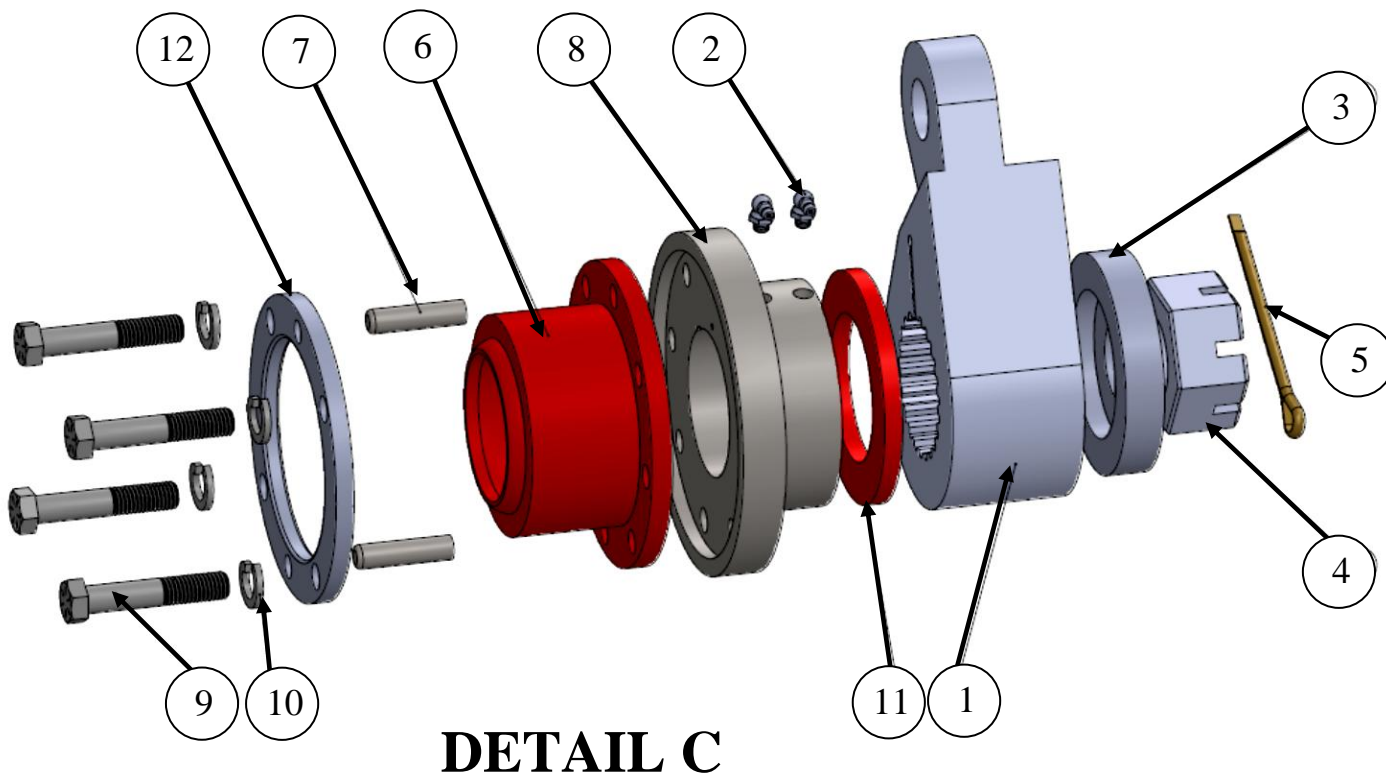
DRIVE CYLINDER ASSEMBLY

DETAIL E



ID #	PART #	PART DESCRIPTION	QUANTITY	
1	BW10395	MANIFOLD, CYLINDER CIRCUIT ASSY, A40HP	1	EACH
2	78961	CHECK VALVE-5K PSI O-RING	2	EA/SIDE
3	86748	FITTING-MB-MJ90-6-6	3	EA/SIDE
4		ELBOW, MB-MB90-6-6	2	EA/SIDE
5	BW10373HT	DRIVE CYL-3.75 X 2.00 X 30.00 (HYDRATECH)	1	EA/SIDE
5A	BW10373A-SK	SEAL KIT FOR BW10373HT CYL	1	EA/SIDE
6	BW10051	HOSE-RT2-FJS90-FJS09-06-06-12"	1	EA/SIDE
7	BW10405	HOSE-RT2-FJS90-FJS09-06-06-14"	1	EA/SIDE
8	87786	O-RING 348 BUNA 70	2	EA
9	86728-023	FITTING, MB-MJ90-1616	2	EA
10	BW10394	TUBE, HYD LOOP LINE	1	EA
11		SHCS, 3/8"-16X7.00"	8	EA
11A		COLLAR 3/8" LOCKWASHER	8	EA
11B	BW10155	WASHER, 3/8" HARDENED	8	EA
12		3/8" PLUG		EA/SIDE

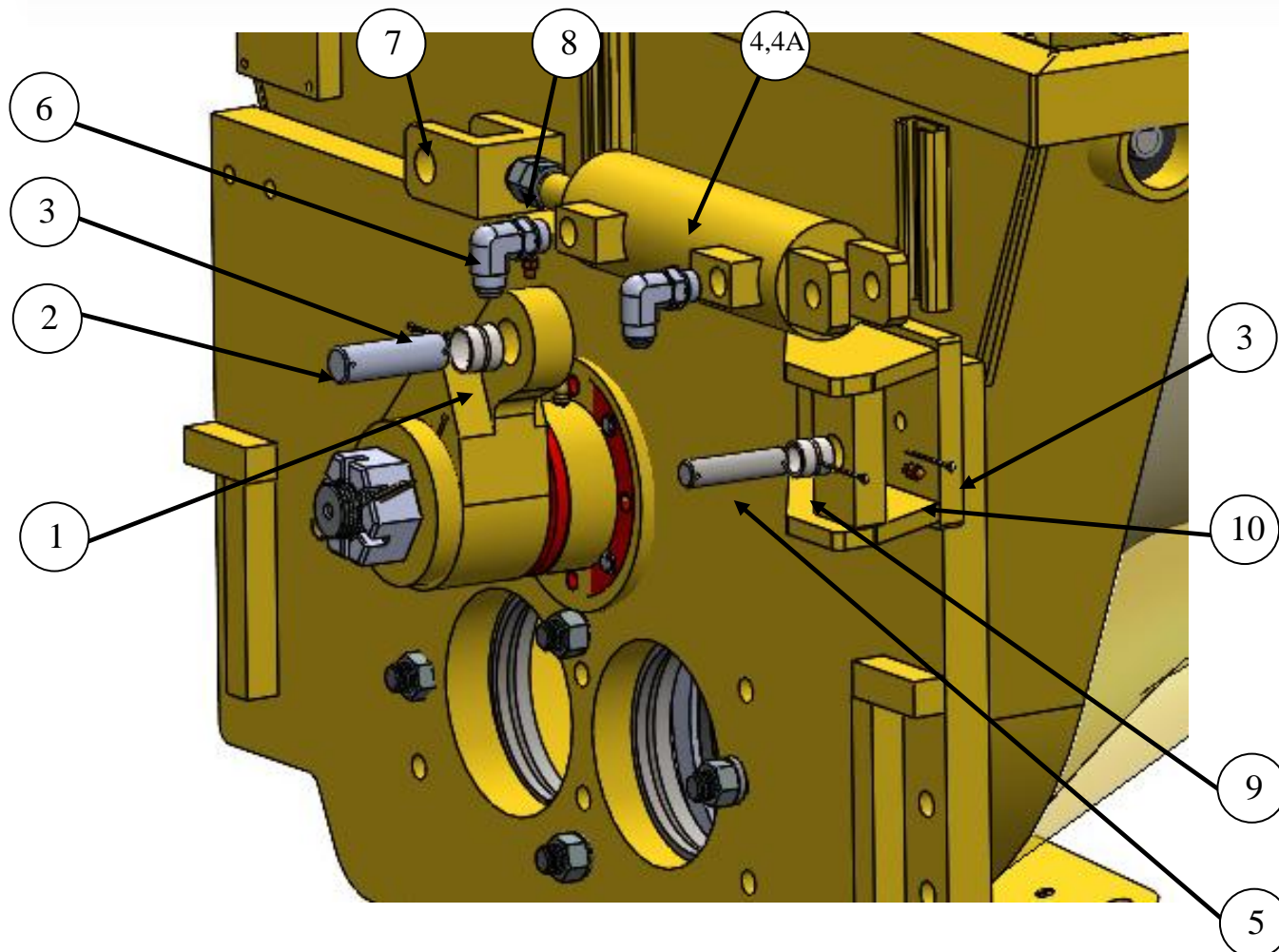
SINGLE SHIFT BELL CRANK ASSEMBLY



DETAIL C

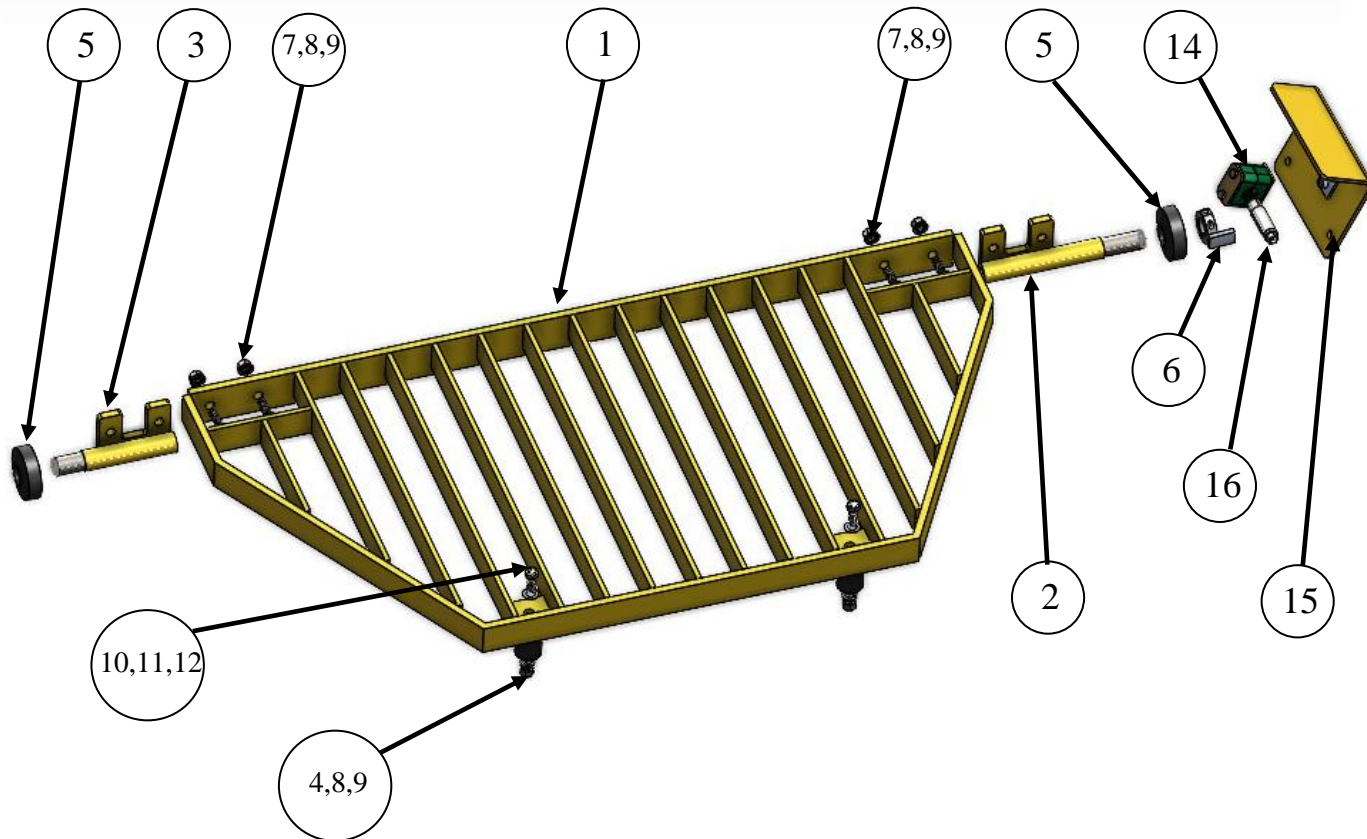
ID #	PART #	PART DESCRIPTION	QUANTITY	
1	85131	BELL CRANK, 3 IN SPLINE, SINGLE	1	EA
2		GREASE FITTING, 1/8" NPT 45°	1	EA
3	85134	SPACER, S-TUBE NUT	1	EA
4	70825	NUT 1 1/2" - 12 CASTLE	1	EA
5		COTTER PIN, 1/4 x 4"	1	EA
6	85962	SEAL, FLANGE BEARING, 3" SHAFT	1	EA
7		DOWEL PIN, 1/2" DIA x 2"	2	EA
8	85133	FLANGED BEARING, 3 IN SPLINE	1	EA
9		HHCS, 9/16 - 12x3" GR 8	4	EA
10		LOCK WASHER, 9/16"	4	EA
11	85294-1	THRUST WASHER, S -TUBE (NYLON)	1	EA
12	BW10384	LOCATOR RING A40	1	EA

SINGLE SHIFT SWING CYLINDER ASSEMBLY



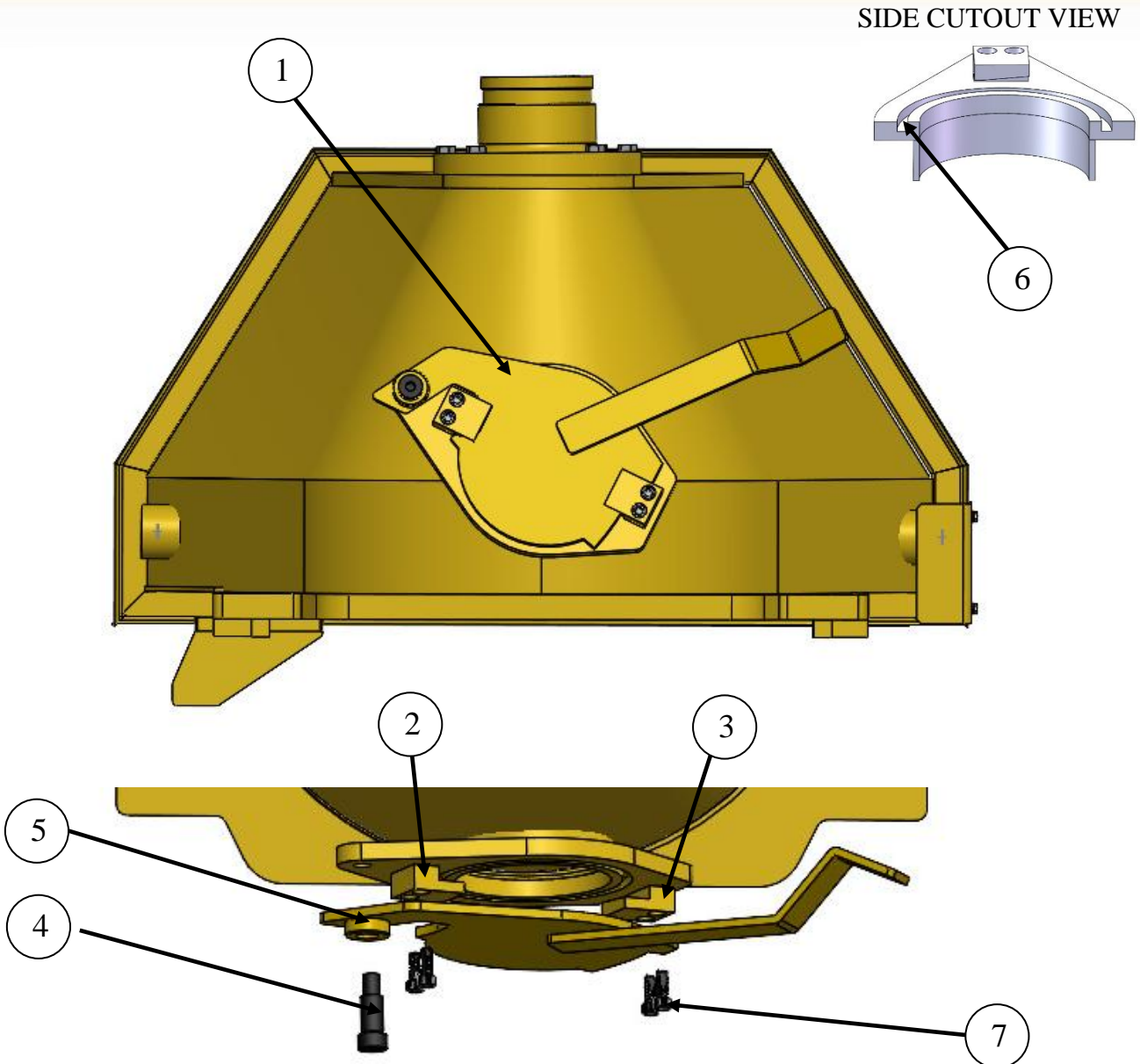
ID #	PART #	PART DESCRIPTION	QUANTITY	
1	71011	BUSHING-1.20 SHIFT CYLINDER	1	EA
2	74207	PIN - CLEVIS - .750 DIA	1	EA
3		COTTER PIN, 3/32X1 3/4"	2	EA
4	BW10374HT	SWING CYLINDER – 2.50 X 1.00 X 5.15 HYDRATECH	1	EA
4A	86221A-SK	SEAL KIT FOR BW10374HT	1	EA
5	86150	PIN, CLEVIS 1.00 DIA	1	EA
6		COTTER PIN, 1/8X2.00	2	EA
7	86135	CLEVIS, SHIFT CYLINDER	1	EA
8		1"X14 JAM NUT	2	EA
9	85538	BUSHING-.750SHIFT CYLINDER	1	EA
10		ZIRK FITTING STRAIGHT	2	EA

HOPPER GRATE ASSEMBLY



ID #	PART #	PART DESCRIPTION	QUANTITY	
1	BW10416	GRATE WELDMENT, A SER STD HOPPER		REF
2	87857	PIN WELDMENT LONG	1	EA
3	87858	PIN WELDMENT SHORT	1	EA
4	86083	BUMPER, HOPPER GRATE	2	EA
5	W-114850	RUBBER BUFFER 65X22.5X26	2	EA
6	87769	COLLAR SHAFT, 7/8" DIA	1	REF
7		3/8"-16 X 1 1/4" HEX BOLT	4	EA
8		3/8" FLAT WASHER	8	EA
9		3/8-16 LOCK NUT	4	EA
10		3/8"-16 X 1" HEX BOLT	2	EA
11		3/8" FLAT WASHER	2	EA
12		3/8" LOCK WASHER	2	EA
13	87769	COLLAR SHAFT, 7/8" DIA	1	EA
14	801902-006	CLAMP, 18MM TUBE CLAMP SET	1	EA
15	87997	COVER WELD PROX SWITCH HOPPER	1	EA
16	87369	PROXIMITY SENSOR PMP	1	EA

CLEAN OUTDOOR ASSEMBLY



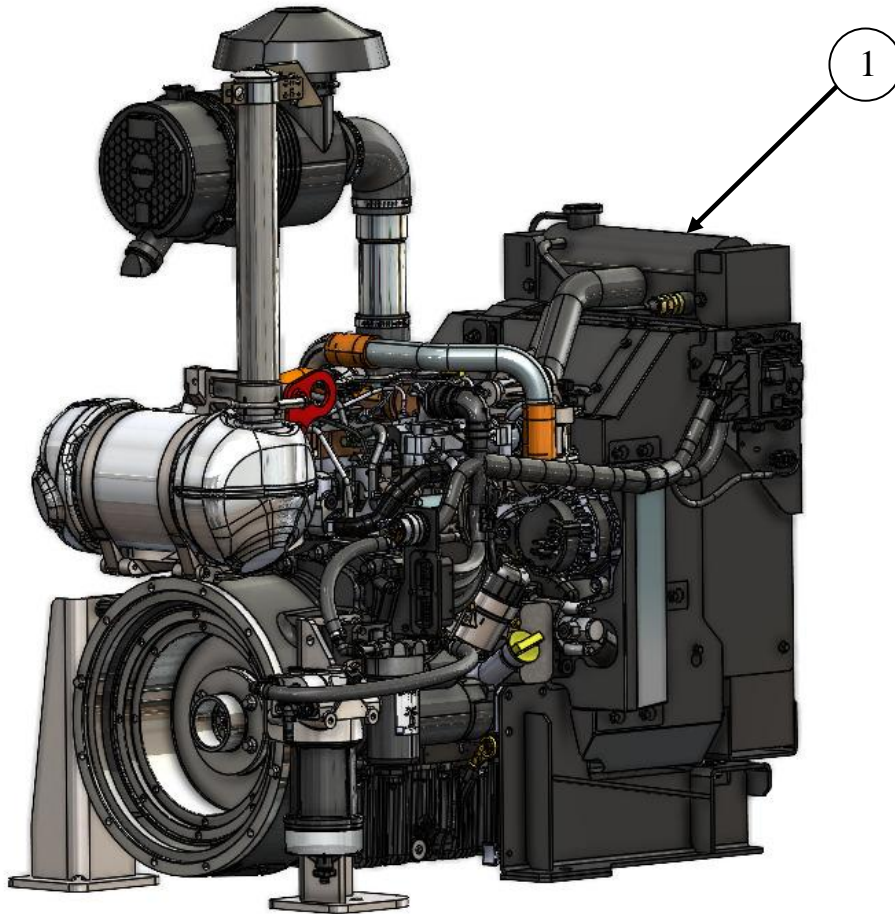
ID #	PART #	PART DESCRIPTION	QUANTITY	
1	86988-10	DOOR WELDMENT, CLEAN OUT	1	EA
2	86559	BLOCK, CLEAN OUTDOOR, LH	1	EA
3	86560	BLOCK, CLEAN OUTDOOR, RH	1	EA
4	86922	SHOULDER SCREW 1" DIA-1 1/4"	1	EA
5	85367	BOSS, CLEAN OUTDOOR	1	EA
6	W102908A	O-RING CORD, HOPPER DOOR	2.21	FT
7		SHCS 1/2"-13 X 1 1/4"	4	EA



A40HP STAGE-5 PARTS

13822 Oaks Avenue
Chino, CA 91710
reedpumps.com
909-287-2100

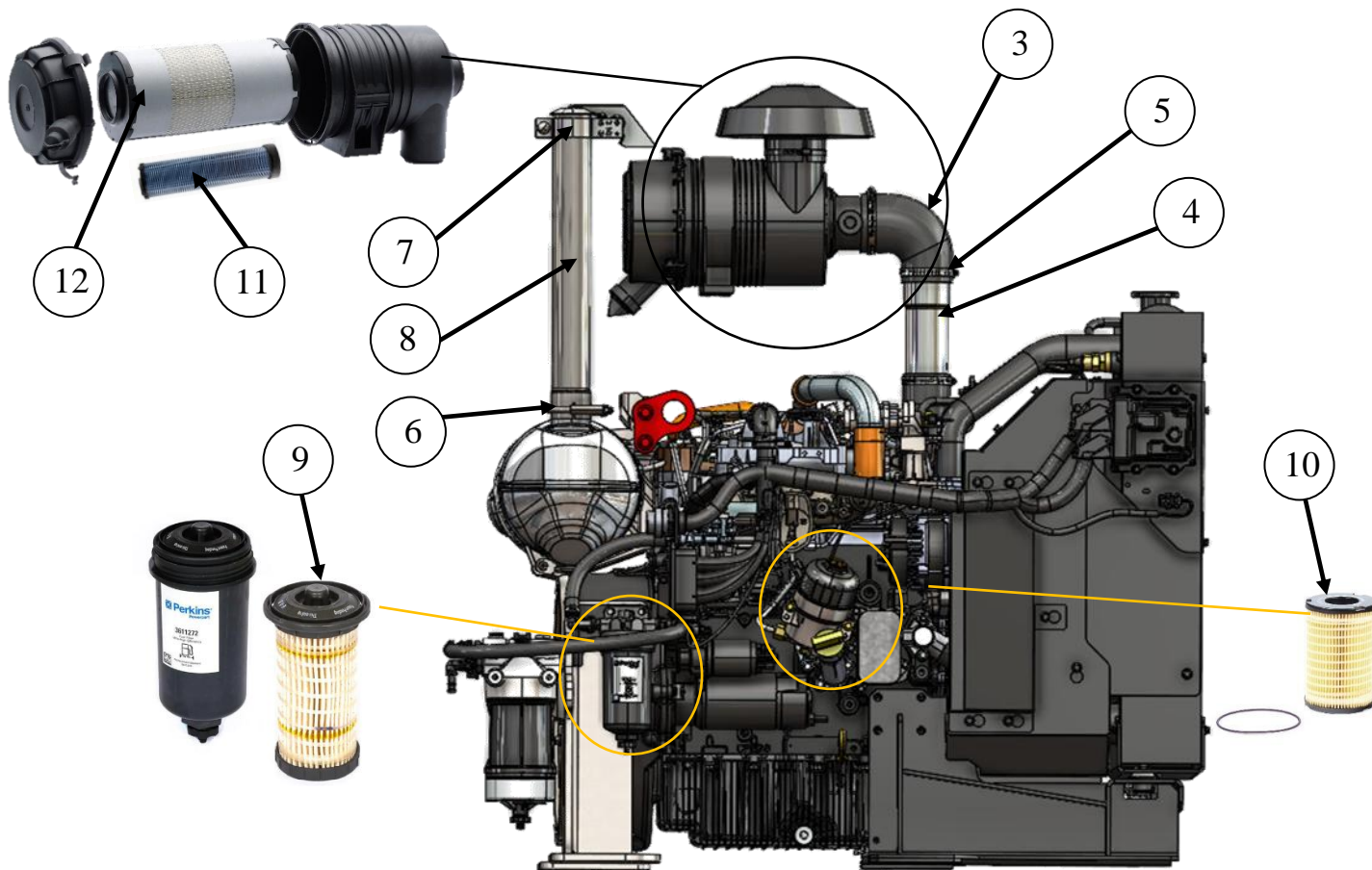
POWER TRAIN ENGINE STAGE-5 PERKINS



Designed to meet EU Stage V/U.S. EPA STAGE-5 emission standards
(reference Perkins manual for maintenance and troubleshooting)

ID #	PART #	PART DESCRIPTION	QUANTITY	
	BW31060-1	POWER TRAIN ASSY. STAGE-5, A40HP W/SFTY GRT, HDRA	ASSY	
	BW10611	ENGINE – PERKINS 904J-E28T 74 HP STG-5	1	EA

ENGINE STAGE-5 PERKINS



ID #	PART #	PART DESCRIPTION	QUANTITY	
1	89928	HOSE- 1/2" SAE30R7 BLK (FUEL)	6	FT
2	10577	CLAMP-HOSE FOR 3/4" OD	2	EA
3	BW10540	RUBBER ELBOW 90 DEG 3.50" ID	1	EA
4	BW10541-C	ALUMINUM TUBING 3.50" ID	0.3	FT
5	74461	CLAMP #68H FOR R-4000	3	EA
6	78213	CLAMP - T-BOLT - 2.50 DIA	1	EA
7	70849	RAIN CAP 2.5"	1	EA
8	BW10554	EXHAUST PIPE T-4 PERKINS	1	EA
9	BW10611-04	FUEL FILTER ELEMENT	1	EA
10	BW10611-002	OIL FILTER, KIT	1	EA
11	BW10611-003	AIR FILTER ELEMENT PRIMARY	1	EA
12	BW10611-004	AIR FILTER ELEMENT SECONDARY	1	EA



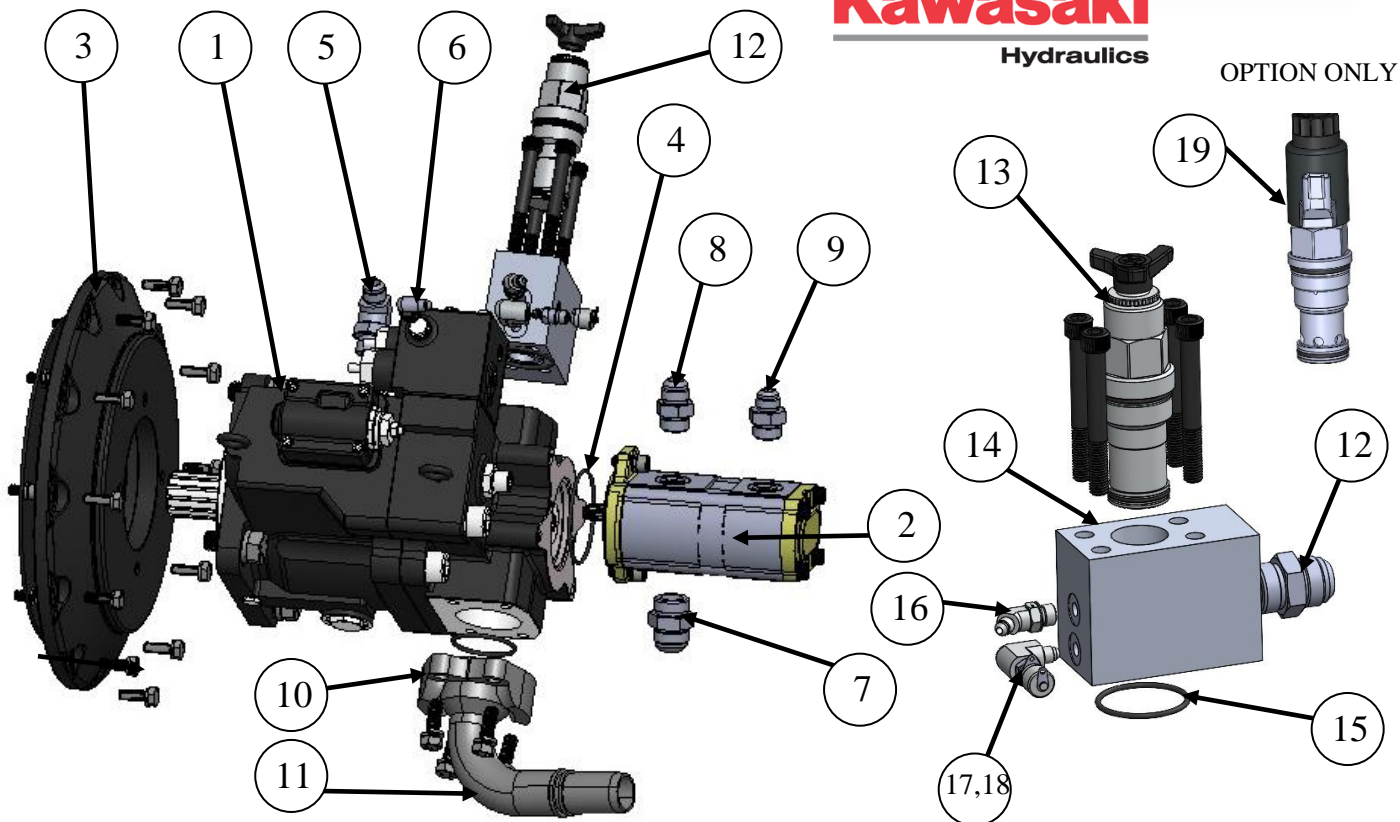
A40HP STAGE-5

PARTS

13822 Oaks Avenue
Chino, CA 91710
reedpumps.com
909-287-2100

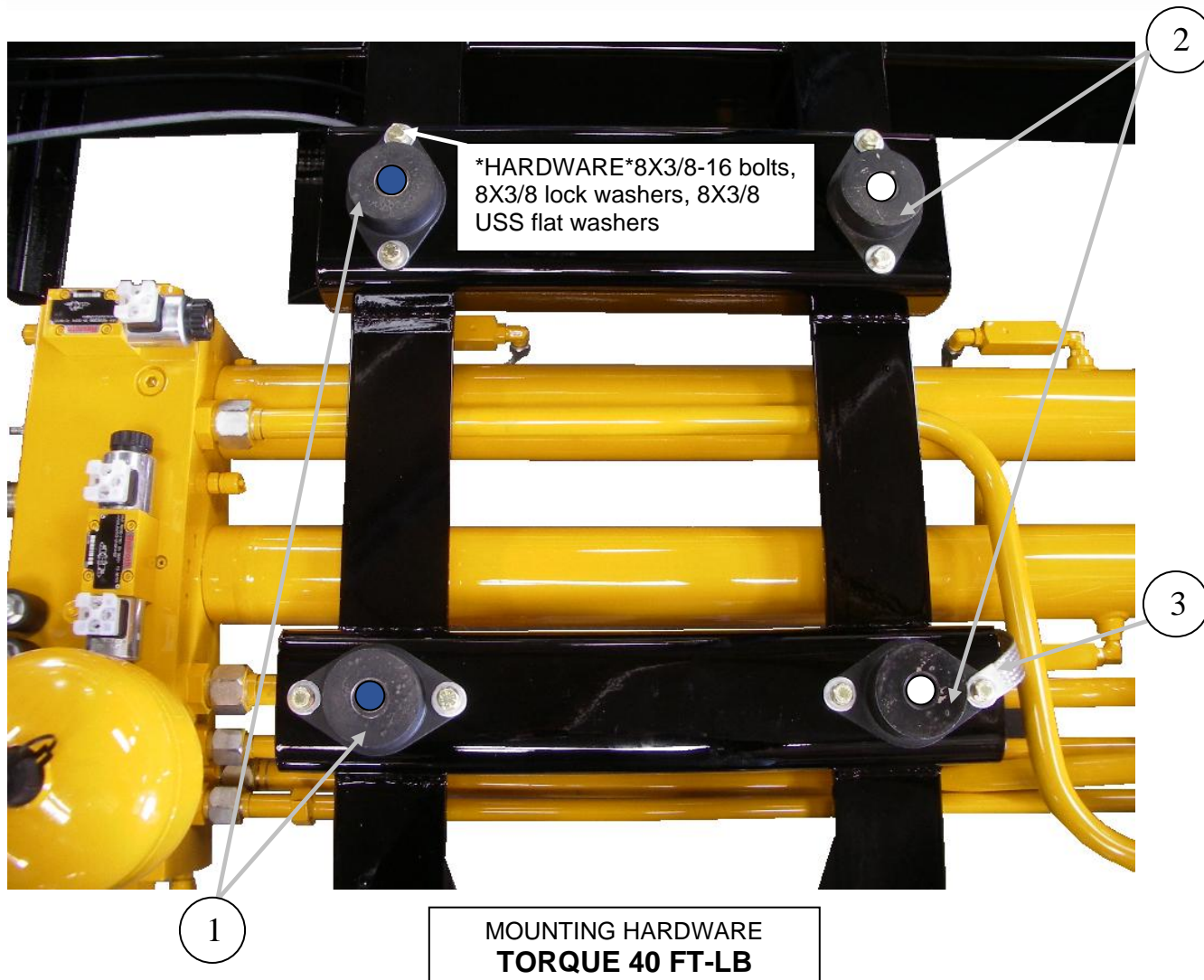
MAIN HYDRAULIC PUMP

GEAR PUMP/PUMP DRIVE



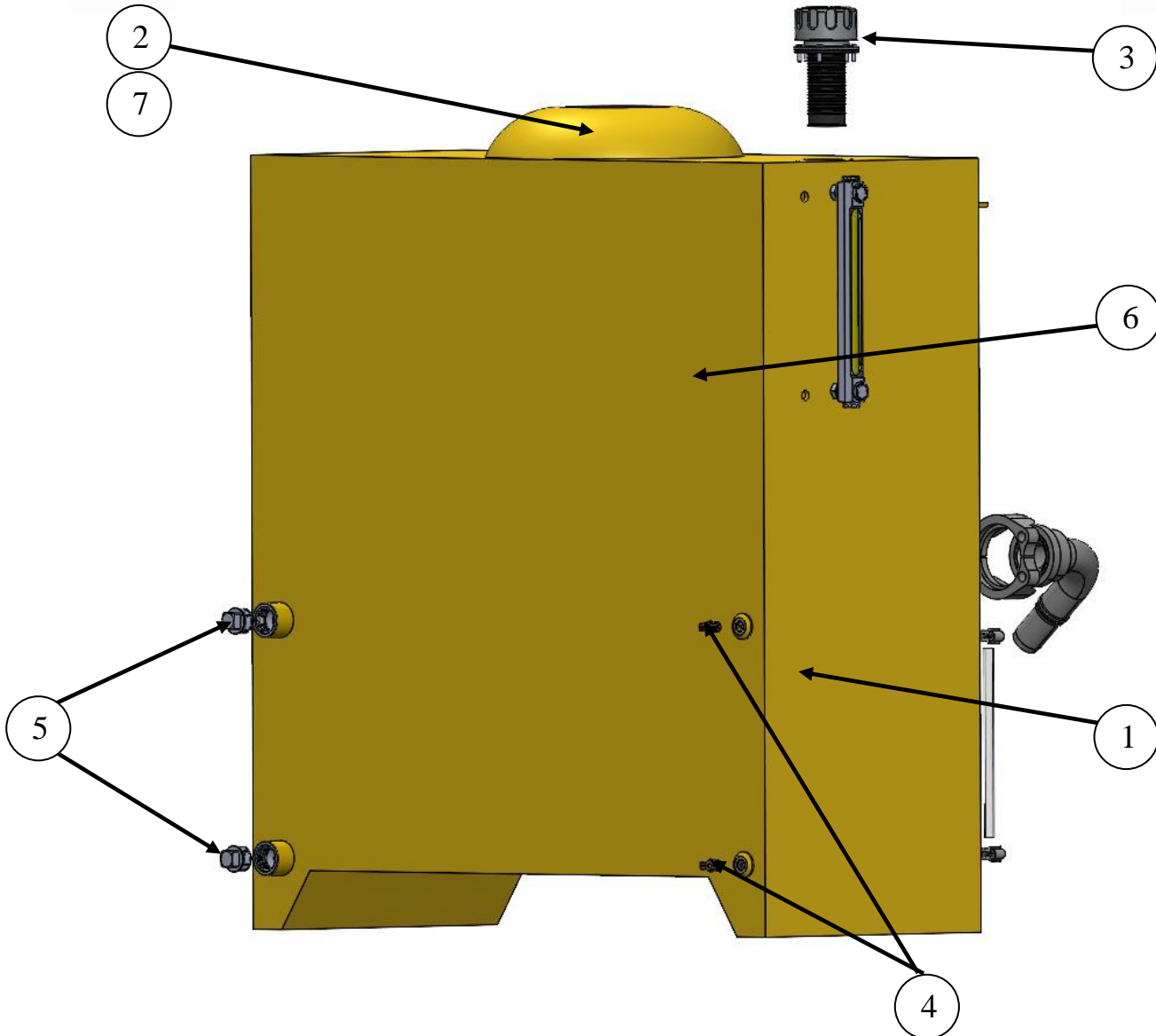
ID #	PART #	PART DESCRIPTION	QUANTITY	
1	85124-004	PUMP, KV3L112 KAWASAKI, 75HP	1	EA
2	87153-001	PUMP-RH-DBLE GEAR, 11.3/8.2 CC	1	EA
3	87360	PUMP DRIVE -SAE 3 - SAE D	1	EA
4		O-RING (SUPPLIED BY VENDOR)	1	EA
5		MB-MJ45-10-12	1	EA
6		MB-MJ90-04-06	1	EA
7		FITTING, STRAIGHT	1	EA
8		MB-MJ-12-12	1	EA
9		MB-MJ-10-12	1	EA
10	86264-007	SPLIT FLANGE-CODE 61-40 SAE	1	EA
11	86911-09	STEM, 2 1/2" 90 DEG. 40C4-40FL90	1	EA
12	BW10477-ASSY	FLOW CONTROL, ASSEMBLY	1	EA
13	85125	FLOW CONTROL, VALVE	1	EA
14	BW10477	FLOW VALVE SPACER	1	EA
15		O-RING	1	EA
16		ADAPTER, MB-MJ45-4-6 (LS)	1	EA
17		ELBOW, MB-MJ90-4-4 (G)	1	EA
18	78593	MINICHECK ADAPTER, SAE 4 (G)	1	EA
19	BW10546	MOTORIZED FLOW CONTROL (OPTION ONLY)	1	EA

ENGINE MOUNTS



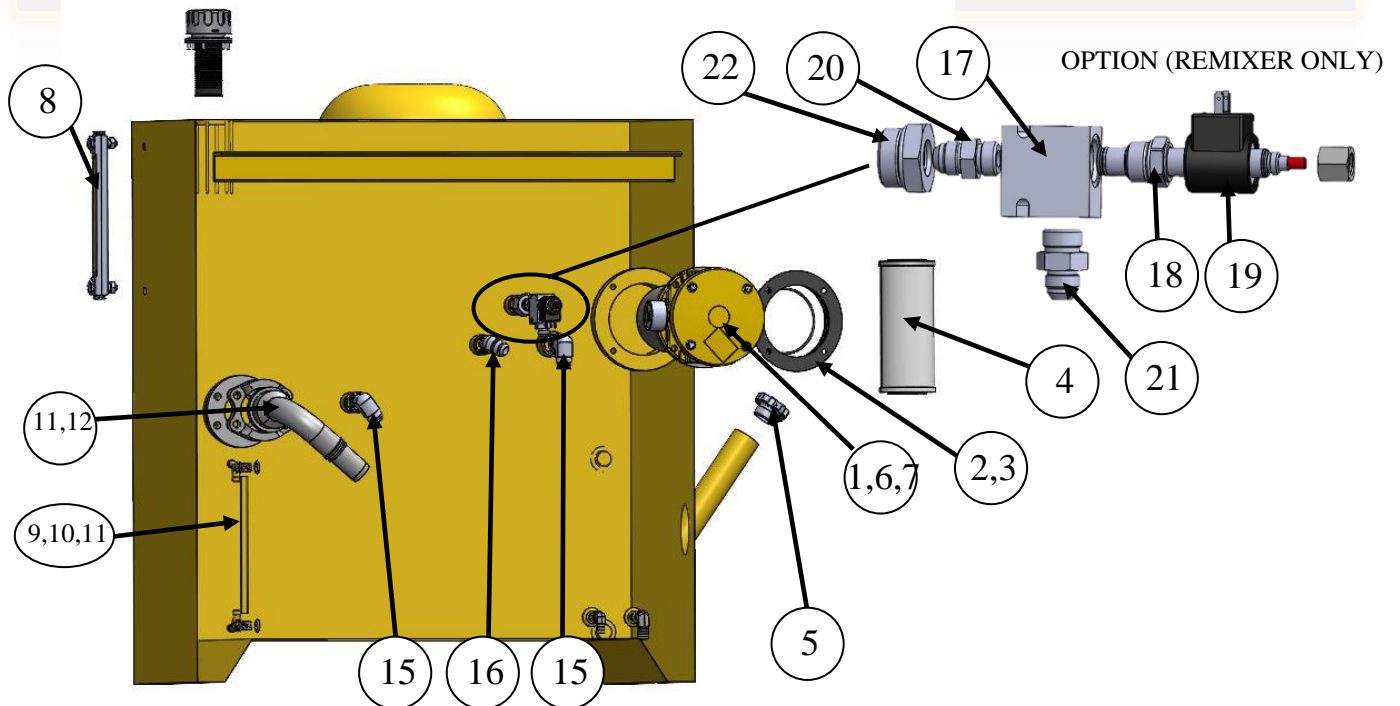
ID #	PART #	PART DESCRIPTION	QUANTITY	
1	BW10266	ENGINE MOUNT-FRT, 840 LB-BLUE DOT	2	EA
2	BW10270	ENGINE MOUNT-REAR, 1020 LB-WHITE DOT	2	EA
3	73269	GROUND STRAP	1	EA

HYDRAULIC / FUEL TANK ASSEMBLY



ID #	PART #	PART DESCRIPTION	QUANTITY	
	BW10432	HYD./FUEL TANK ASSY.	ASSY	
1	BW10386	HYD./FUEL TANK WELDMENT	1	EA
2	BW10171	KIT, 12 END COVER	1	EA
3	74508	FILLER BREATHER W/CAP	1	EA
4	801025	DRIAN COCK, ¼ NPT	2	EA
5	10282	PLUG-PIPE / GALV 1"	2	EA
6	74509	GAUGE-SIGHT/TEMPERATURE	1	EA
7	85867	GASKET, END COVER 12" (SPARE PART)	REF	EA

HYDRAULIC / FUEL TANK ASSEMBLY CONTINUED



ID #	PART #	PART DESCRIPTION	QUANTITY	
1	BW10027	FILTER, RETURN	1	EA
2	BW10241	SEAL KIT FOR BW10027 (RETURN FILTER)	1	EA
3	BW10242	GASKET FOR BW10027 (RETURN FILTER)	1	EA
4	BW10106-1	ELEMENT 25 MIKRON, FOR BW10027	1	EA
5	BW10256	CAP, FILLER	1	EA
6		FITTING, MP-MJ-24-24	1	EA
7	BW10411	HOSE, 24C1TH-24FJX-24FJX-70.00	1	EA
8	74509	GAUGE-SIGHT/TEMPERATURE	1	EA
9	801978	TUBING, CLEAR PVC 1/2 ID X 3/4 OD	0.83	FT
10	802289	CLAMP, WORM-0.38-0.68 DIA	2	EA
11	86264-007	SPIT FLANGE-CODE 61 -40 SAE	2	EA
12	86911-009	STEM, 2 1/2 "90 DEG. 40C4-40FL90	2	EA
13		BOLT 1/2-13X 1 1/2"	4	EA
14		WASHER 1/2"	4	EA
15		MB-MJ90-16-16	2	EA
16		MB-M945-16-16	1	EA
17	87154	SOLENIOD VALVE, 2P-2W. NO, 12V DIN (COMPLETE)	1	EA
18	87154-C	CARTRIDGE FOR 87154 (W/NUT)	SPARE	
19	87247	COIL, 12VDC	SPARE	
20		MB-FB-12-8	1	EA
21		MB-MB-8-8	1	EA
22		MB-MJ-8-10	1	EA



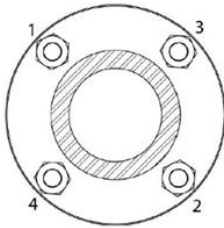
A40HP STAGE-5 PARTS

13822 Oaks Avenue
Chino, CA 91710
reedpumps.com
909-287-2100

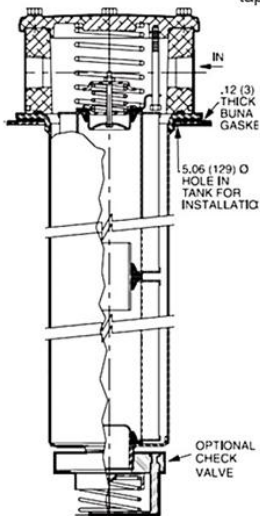
HYDRAULIC FILTER ASSEMBLY

MANUFACTURING ASSEMBLY INSTRUCTIONS

REED Builds It Better.

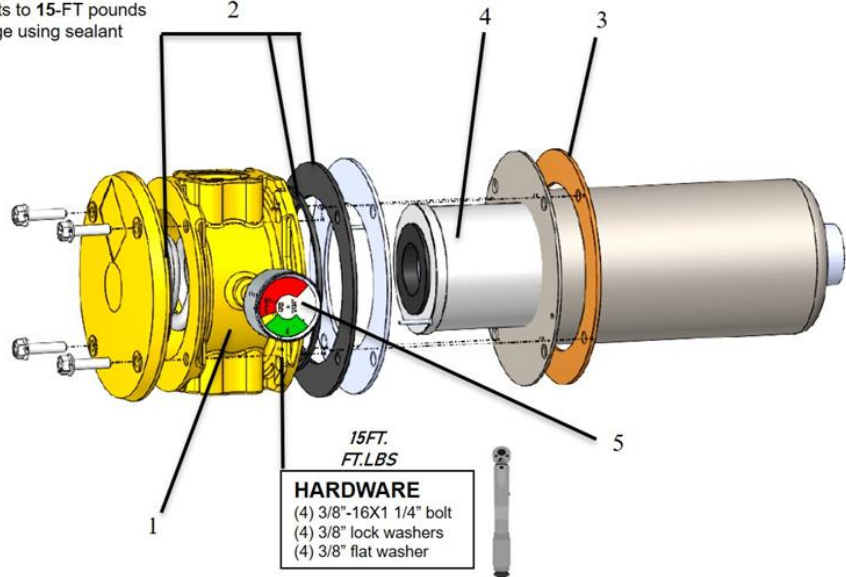


INSTRUCTIONS:
 1. Install filter w/gasket.
 2. Apply blue silicone (small amount around hole and both side of gasket). Tighten sequence is essential. For all flange, tighten bolts evenly and confirm that the filter head sits flat in the mounting surface.
 3. Torque bolts to 15-FT pounds
 4. Install gauge using sealant tape.



ID #	PART #	PART DESCRIPTION	QTY	LOC
1	BW10027	FILTER, RETURN	1	RW24
2	BW10241	SEAL KIT FOR BW10027 (RETURN FILTER)	Spare part	
3	85282-G	GASKET FOR BW10027 (RETURN FILTER)		HY 0001
4	BW10106-1	ELEMENT 25 MIKRON, FOR BW10027	Spare part	FI 0117
5	BW10249	GAUGE, RETURN FILTER	1	WH45 4

Both the tank and metal/or filter housing must be sufficiently robust so that neither deform when the filter seal is compressed during assembly

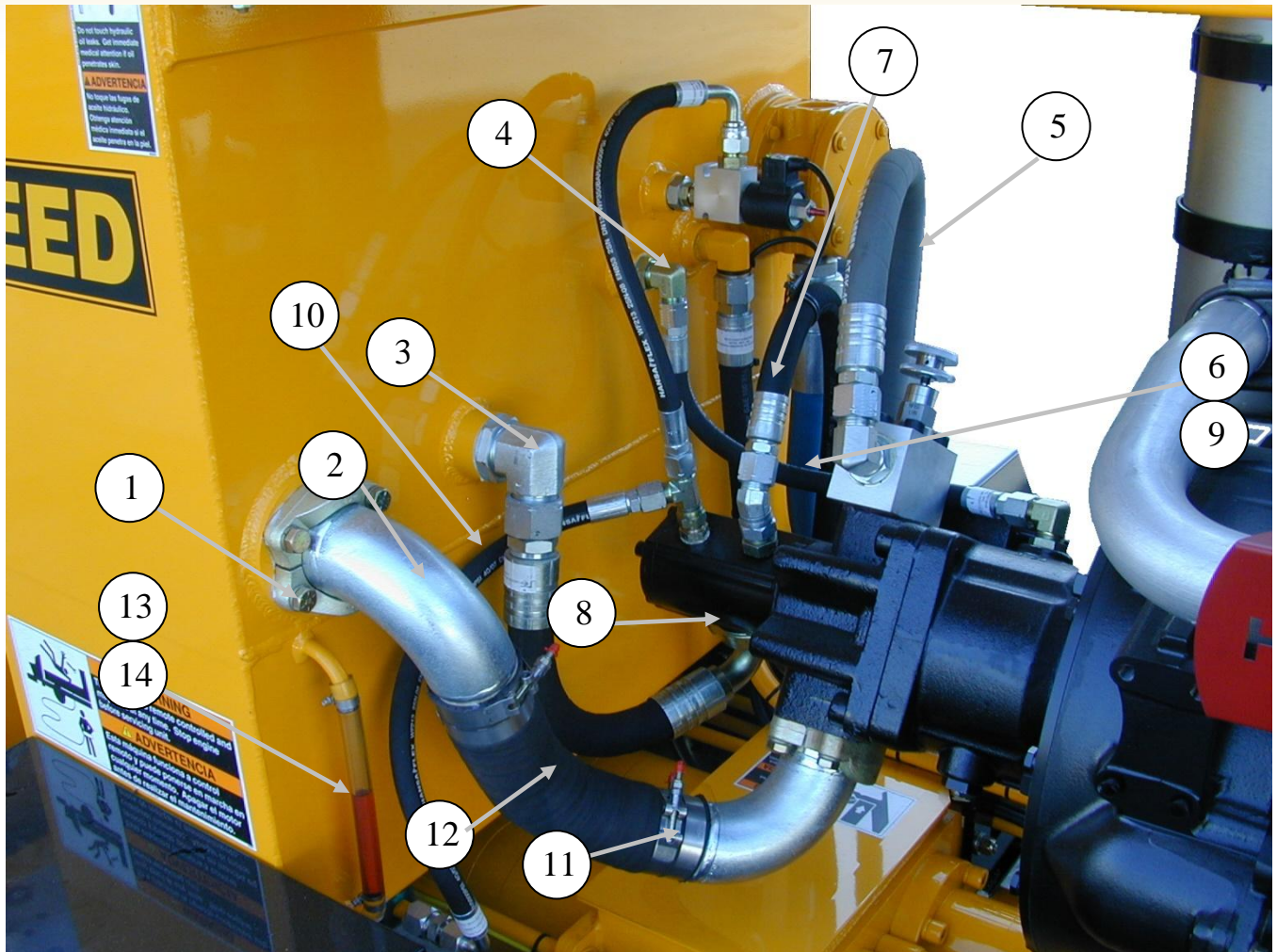




A40HP STAGE-5 PARTS

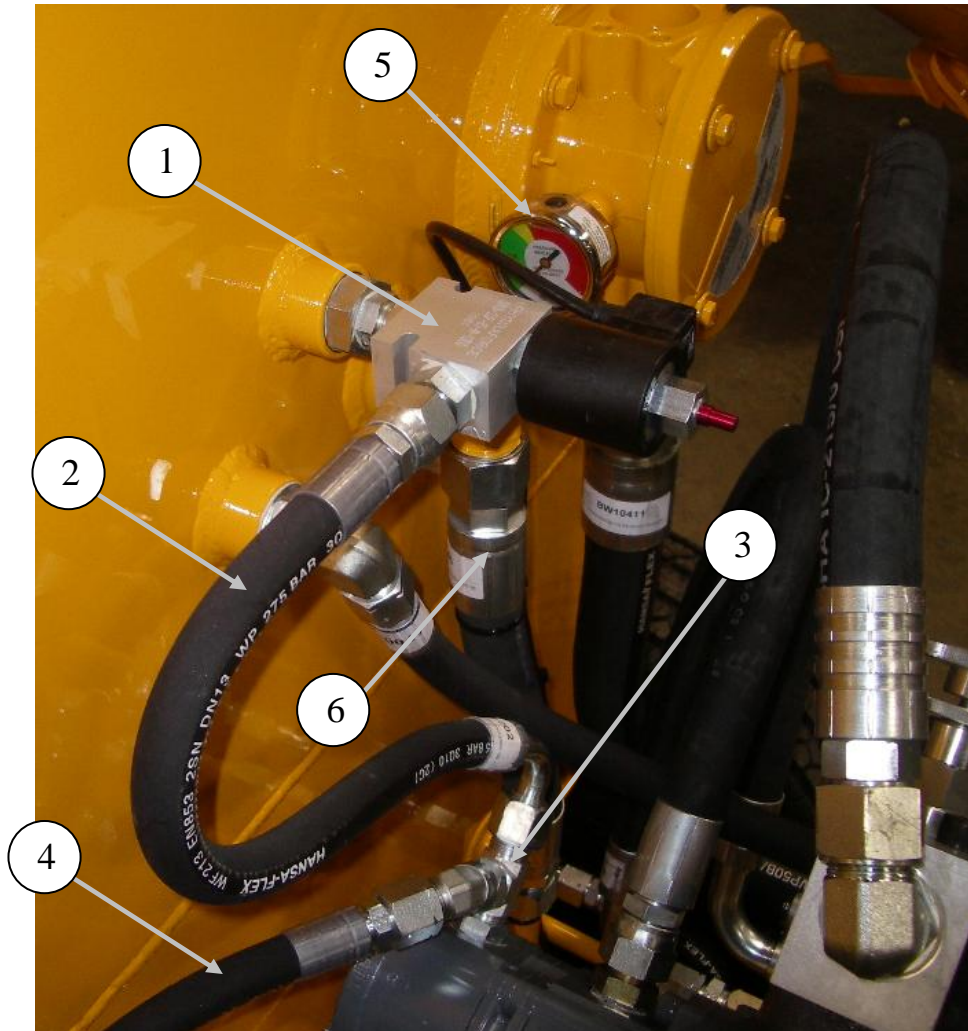
13822 Oaks Avenue
Chino, CA 91710
reedpumps.com
909-287-2100

HYDRAULIC LINES, HOSES, AND FITTINGS



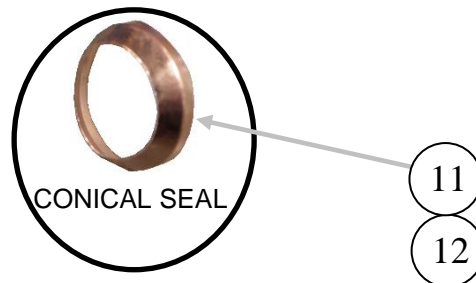
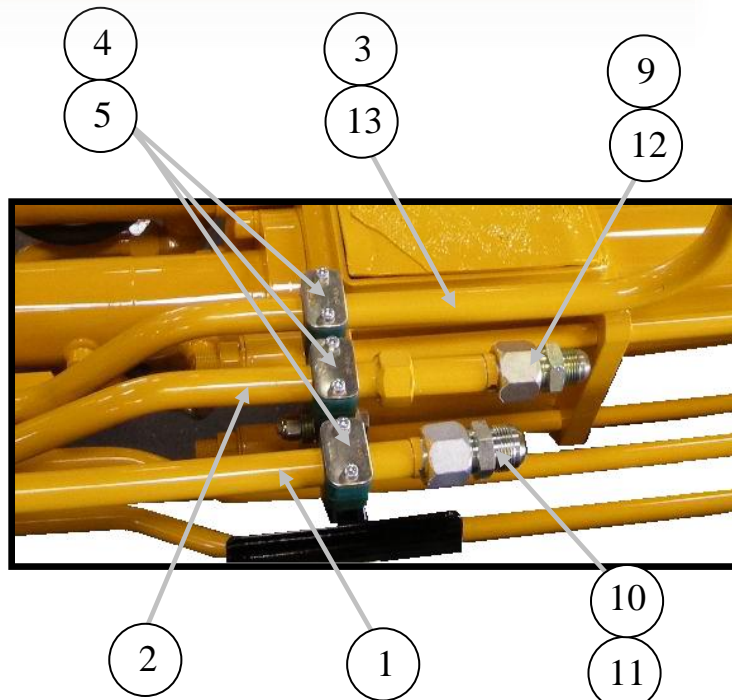
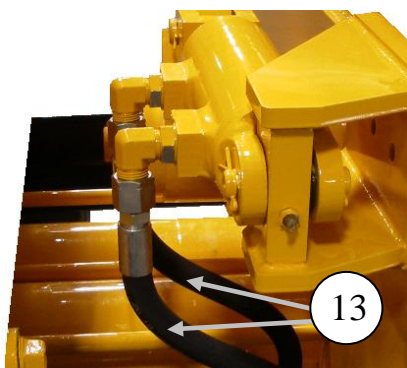
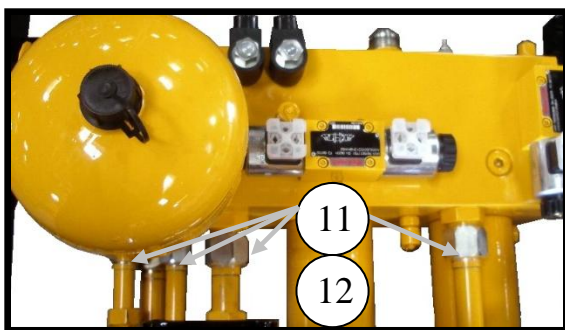
ID #	PART #	PART DESCRIPTION	QUANTITY	
1	86264-007	SPIT FLANGE-CODE 61 -40 SAE	2	EA
2	86911-009	STEM, 2 1/2 "90 DEG. 40C4-40FL90	2	EA
3	86728-019	ELBOW MB-MJ90-12-12	2	EA
4		FITTING, MJ-MP90-16-16	1	EA
5	BW10412	HOSE, R12-FJS-FJS90-16-16-41"	1	EA
6	85667-004	HOSE, 12G5K-12FJX-12FJX90-32.00	1	EA
7	85657-002	HOSE, 8M2T-10FJX-10FJX90S-19.50	1	EA
8		FITTING, MB-MJ-10-12 (STRAIGHT)	1	EA
9		ADAPTER, MB-MJ-12-16	1	EA
10	85664-008	HOSE, 16G4H-16FJX-16FJX45-20"	1	EA
11	79803	CLAMP - T- BOLT -3.00 DIA	4	EA
12	85660-001	HOSE, 40G4H-NO ENDS-	12.00	EA
13	801978	TUBING, CLEAR PVC 1/2 ID X 3/4 OD	0.83	FT
14	802289	CLAMP, WORM-0.38-0.68 DIA	2	EA

HYDRAULIC LINES, HOSES, AND FITTINGS CONT



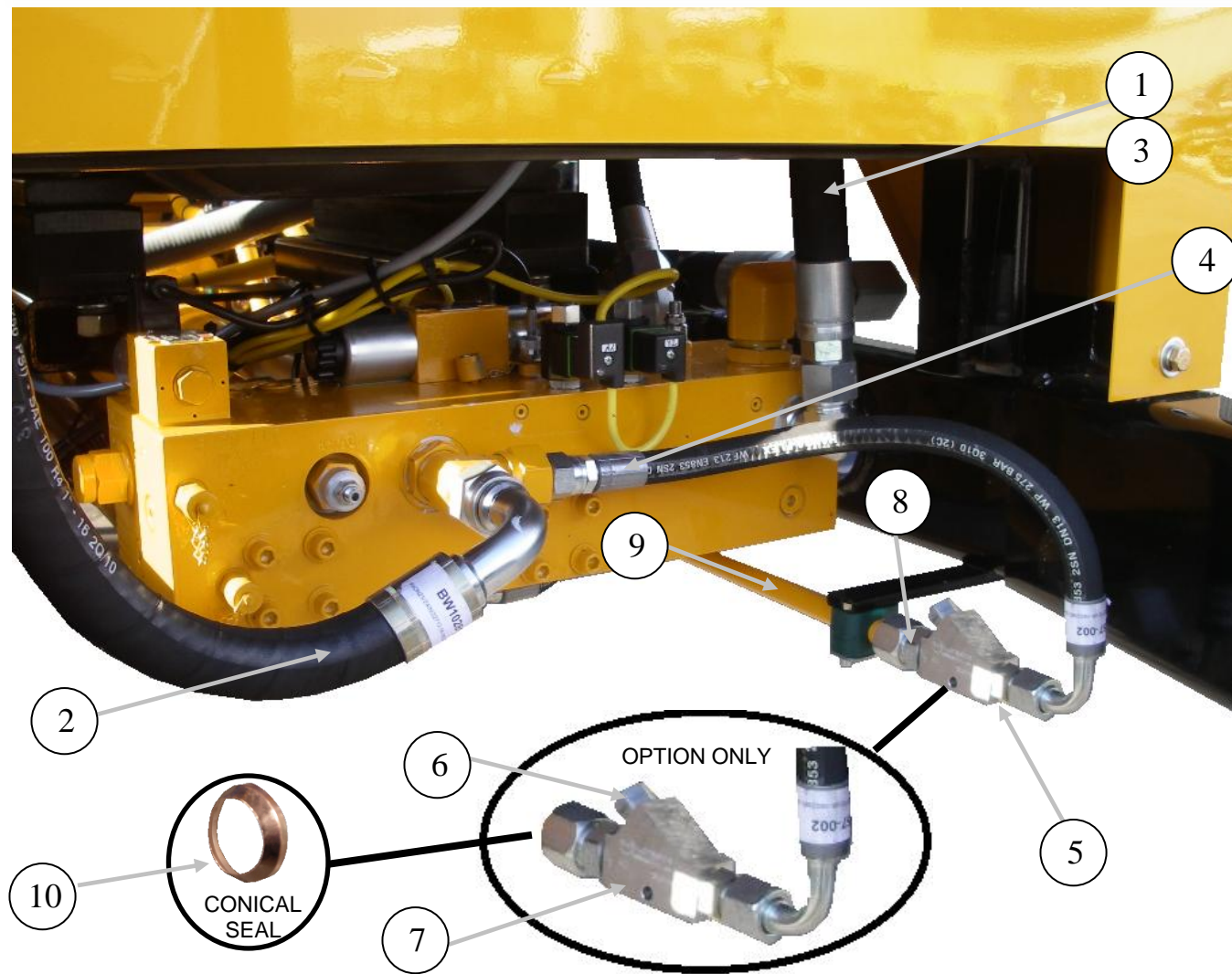
ID #	PART #	PART DESCRIPTION	QUANTITY	
1	87154	SOLENOID VALVE, 2P-2W, NO, 12V DIN	1	EA
2	85657-002	HOSE, 8M2T-10FJX-10FJX90S-19.50	1	EA
3		MJ-MB-MJT10	1	EA
4	85657-024	HOSE, 8M2T-10FJX-10FJX90S-24.50	1	EA
5	BW10249	GAUGE-RETURN FILTER BW10027	1	EA
6	BW10046	HOSE, R1T-FJS-MJ-16-16-16-14.5"	1	EA

HYDRAULIC LINES, HOSES, AND FITTINGS CONTINUED



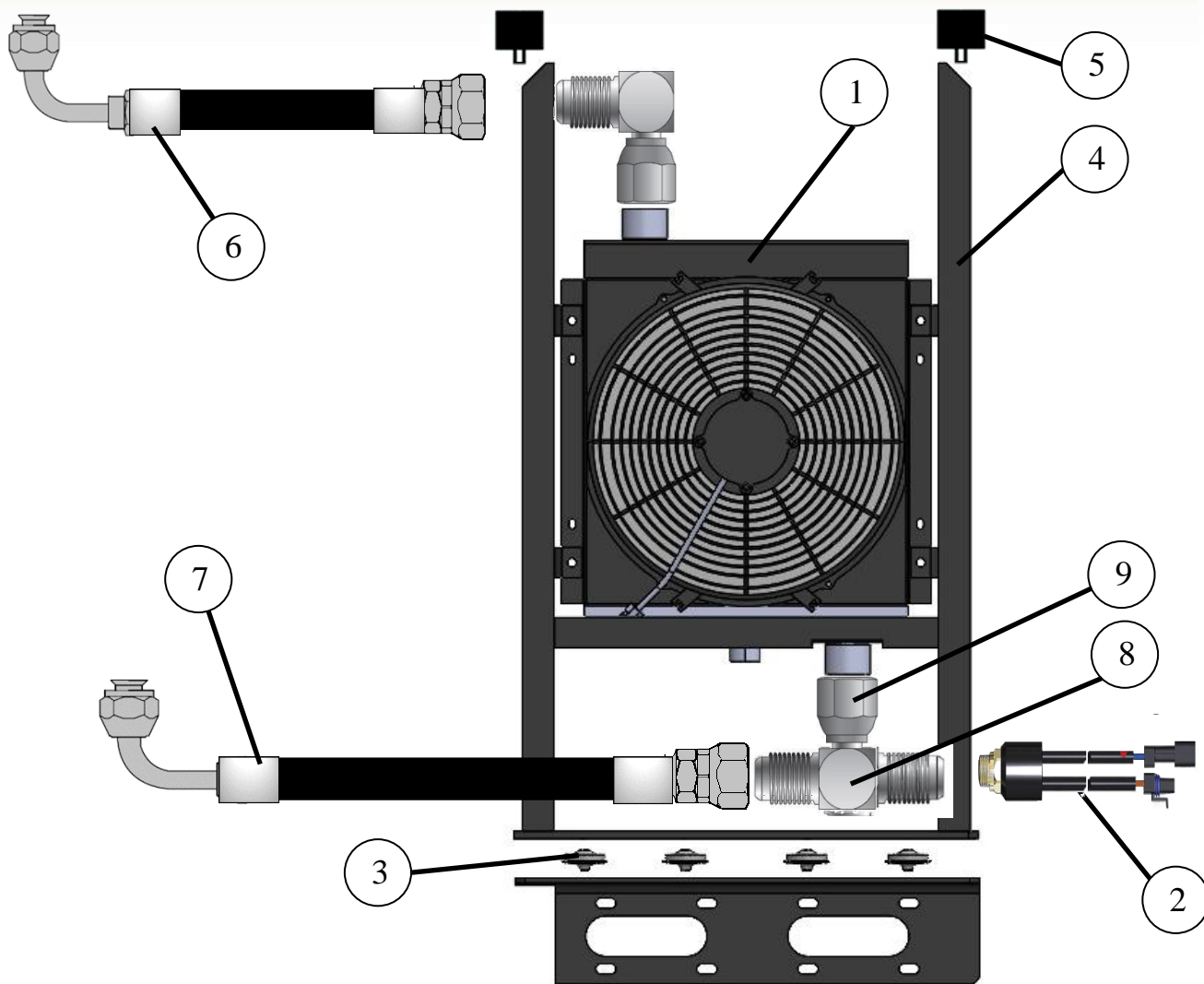
ID #	PART #	PART DESCRIPTION	QUANTITY	
1	BW10151	TUBE HYD, ACC.PUMP, PRESSURE-PAINTED	1	EA
2	BW10403	TUBE HYD, MAIN PUMP PRESSURE PAINTED	1	EA
3	BW10153	TUBE HYD, RETURN LINE-PAINTED	1	EA
4	801902-007	CLAMP, 25MM TUBE CLAMP SET	3	EA
5	801902-001	NUT, TEE TUBE CLAMP	6	EA
6	800897	CLAMP, 3/4" TUBE, SINGLE	2	EA
7	BW10154	TUBE HYD, SWING CYLINDER-PAINTED	2	EA
8		UNION MALE, MJ-MJ-12-10	2	EA
9	87415-001	UNION MALE JIC, MJ-MJ-16-12	1	EA
10	87415-002	UNION MALE JIC, MJ-MJ-12-12	1	EA
11	BW10229	CONICAL SEAL, SIZE 12	5	EA
12	BW10230	CONICAL SEAL, SIZE 16	6	EA
13	BW10049	HOSE R2T-FJS-FJS-10-10-08-20"	2	EA

HYDRAULIC LINES, HOSES, AND FITTINGS CONTINUED



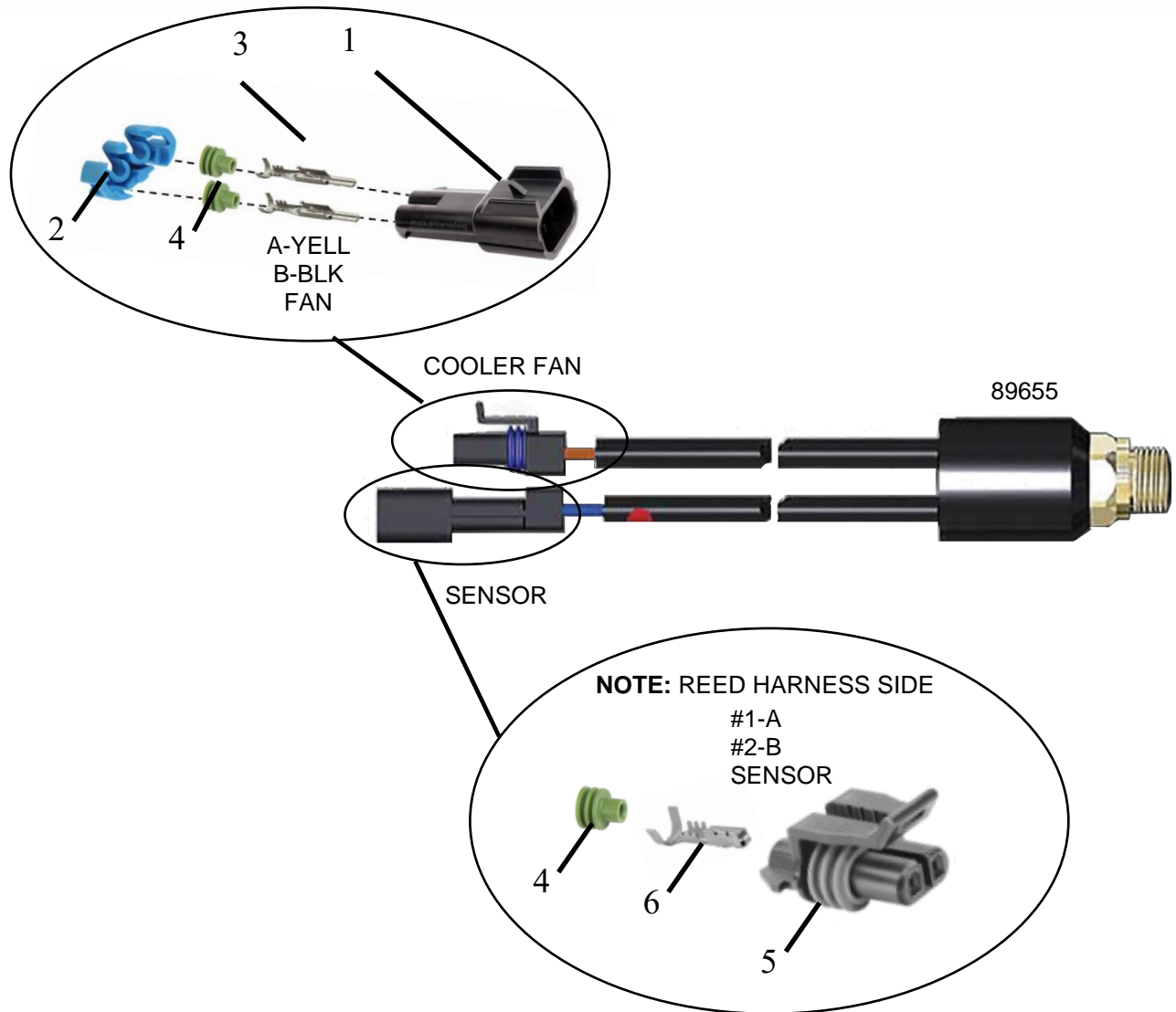
ID #	PART #	PART DESCRIPTION	QUANTITY	
1	88138-008	HOSE, 16GMV=-20FJX-16FJX90S-24"	1	EA
2	88138-005	HOSE, 16GMV=-16FJX-16FJX	1	EA
3	86728-026	ELBOW, MB-MJ90-20-16	1	EA
4	85657-002	HOSE, 8M2T-10FJX-10FJX90S-19.50	1	EA
5	86900-018	MB-MJ-10-6	2	EA
6	BW10471	CHECK VALVE	1	EA
7	BW10472	MANIFOLD FOR BW10471 (MUST BE MODIFIED)	1	EA
8		MB-MJ-6-12	1	EA
9	BW10408	TUBE HYD. SGITSTOR PUMP RETURN	1	EA
10	BW10229	CONICAL SEAL, SIZE 12	2	EA

OIL COOLER ASSY



ID #	PART #	PART DESCRIPTION	QUANTITY	
	BW10623	OILCOOLER ASSY.	REF	
1	90658	OIL COOLER-ELECTRIC 12VDC	1	EA
2	89655	TEMPRATURE SWITICH 122-104F W/INTEG RELAY	1	EA
3	90659	MOUNT VIBRATION DAMPING	4	EA
4	90659	OIL COOLER MOUNTING BRACKET WELDMENT	1	EA
5	73748	BUMPERS	2	EA
6	88138-011	HOSE, 16M1T-16FJX-16FJX90-41.00"	1	EA
7	88138-009	HOSE, 16M1T-16FJX-16FJX90-54.0"	1	EA
8	86945-011	TEE, MJ-MJ-MBT-16	1	EA
9	86728-023	ELBOW, MB-MJ90-16-16	1	EA

OIL COOLER SENSOR



ID #	PART #	PART DESCRIPTION	QUANTITY	
			REF	
1	89714	2-WAY CONNECTOR, (MALE)	1	EA
2	89714-TPA	TERMINAL POSITION ASSUR-2WAY	1	EA
3	89715	TERMINAL, MALE 18-16 AWG	2	EA
4	89721	20-18 GREEN CABLE SEAL	4	EA
5	89717	2-WAY CONNECTOR, (FEMALE)	1	EA
6	89718	TERMINAL, FEMALE 18-16	2	EA



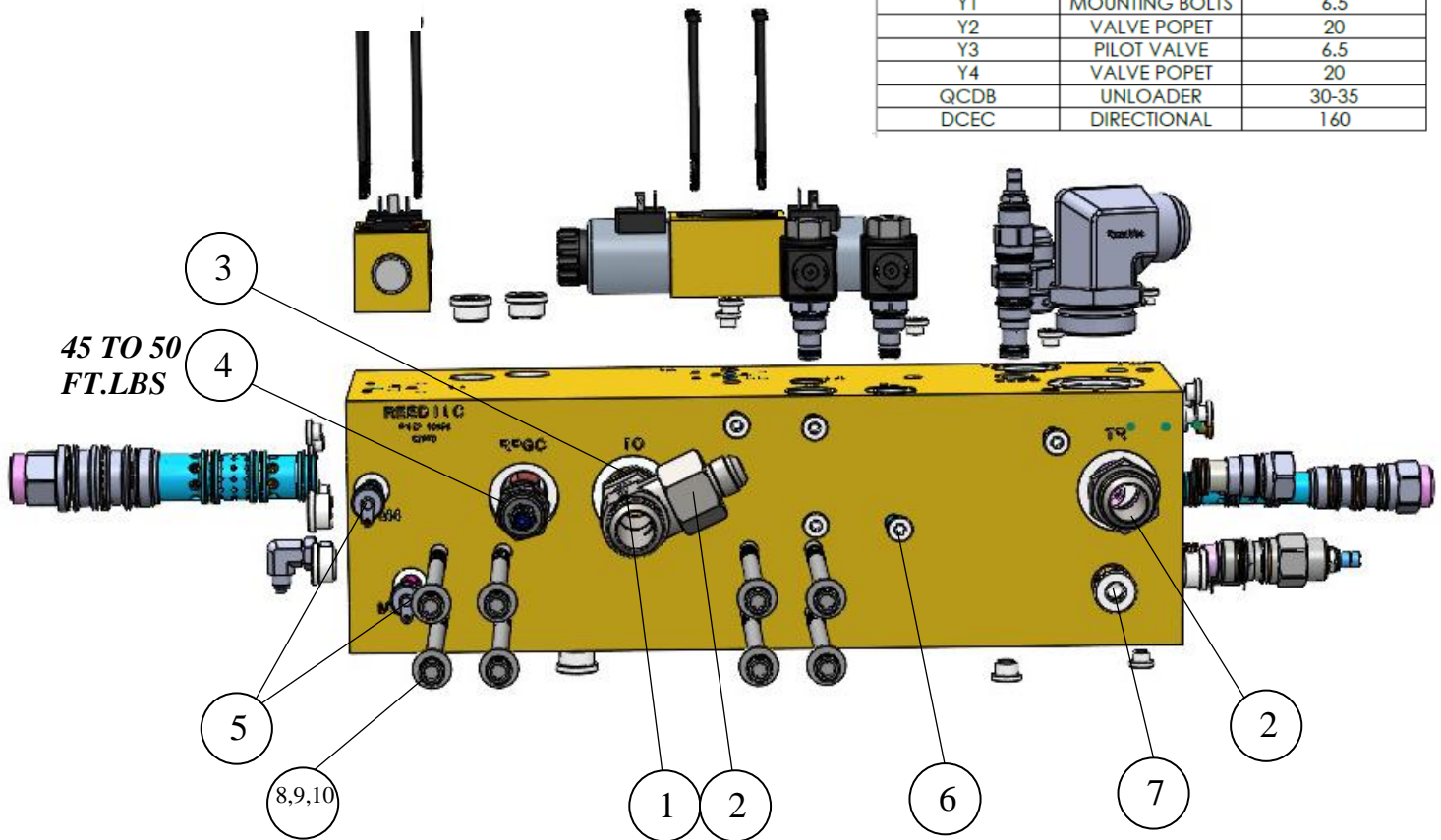
A40HP STAGE-5

PARTS

13822 Oaks Avenue
Chino, CA 91710
reedpumps.com
909-287-2100

MAIN PUMP MANIFOLD ASSEMBLY

FRONT VIEW

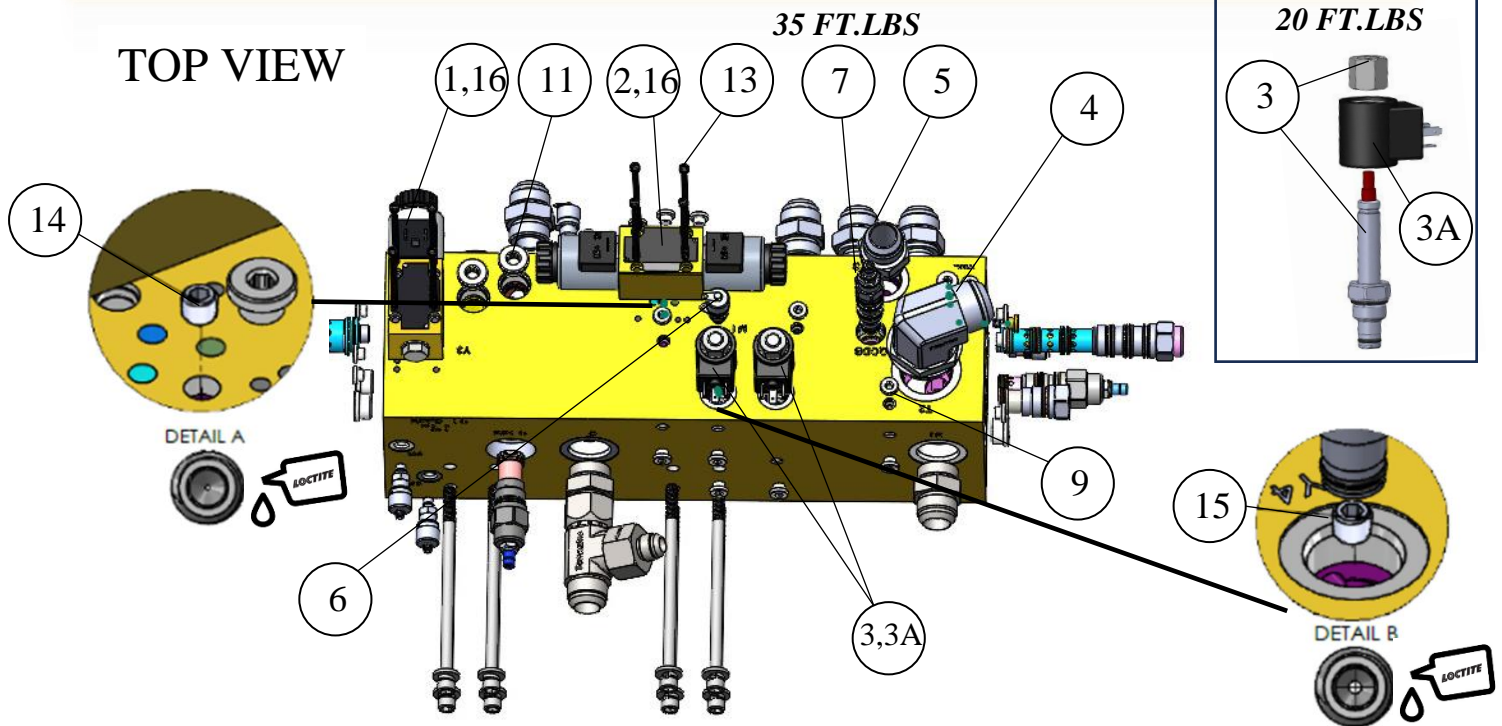


TORQUE CHART	CARTRIDGES	FT.LBS
Y1	MOUNTING BOLTS	6.5
Y2	VALVE POPET	20
Y3	PILOT VALVE	6.5
Y4	VALVE POPET	20
QCDB	UNLOADER	30-35
DCEC	DIRECTIONAL	160

TORQUE CHART	ZERO LEAK PLUG	FT.LBS
2SS-S02	SAE PLUG	3
2SS-S08	SAE PLUG	35

ID #	PART #	PART DESCRIPTION	QUANTITY	
	BW10395	MANIFOLD CTRL W/CARTRIGES, A40 ASSEMBLY	REF	
1	86945-001	TEE, MJ-MB-MJT-16	1	EA
2	86948-001	REDUCER, JIC MJ-FJ-10-16	2	EA
3	86900-028	MB-MJ-16-16	1	EA
4	BW10326	REIF VALVE CARTRIDGE (RPGC) TORQUE 45 FT.LBS	1	EA
5	78593	MINI CHECK ADAPTER	2	EA
6	2SS-S02	SAE PLUG	5	EA
7	2SS-S08	SAE PLUG	1	EA
8		SHCS, 3/8"-16X7.00	8	EA
9		COLLAR 3/8" LOCKWASHER	8	EA
10		FLAT WASHER 3/8" HARDEND	8	EA

MAIN PUMP MANIFOLD CONTINUED



ID #	PART #	PART DESCRIPTION	QUANTITY	
	BW10395	MANIFOLD CTRL W/CARTRIGES, A40 ASSEMBLY	REF	
1	BW10183	VALVE PILOT, 2 WAY (Y3)	1	EA
2	85691	VALVE PILOT, (Y1)	1	EA
3	BW10185	VALVE POPET W/ NUT (Y2/Y4)	2	EA
3A	87247	12V COIL	2	EA
4	86728-028	ELBOW, MB-MJ-16-16 (T2)	1	EA
5	BW10328	ADAPTER, MB-MJ-16-16	1	EA
6	78593	MINI CHECK ADAPTER	1	EA
7	85704	UNLOADER VALVE CARTRIDGE (QCDB) (TORQUE 35 LBS.)	1	EA
9	2SS-S02	SAE PLUG	8	EA
10	2SS-S04	SAE PLUG	1	EA
11	2SS-S08	SAE PLUG	1	EA
12	2SS-S10	SAE PLUG	4	EA
13		SHCS 10-24-2.00" (TORQUE 6.5 FT. LBS.)	8	EA
14	0.40 DIA ORAFICE	APPLY ONE DROP OF RED LOCTITE	1	EA
15	0.100 DIA ORFICE	APPLY ONE DROP OF RED LOCTITE	1	EA



A40HP STAGE-5

PARTS

13822 Oaks Avenue
Chino, CA 91710
reedpumps.com
909-287-2100

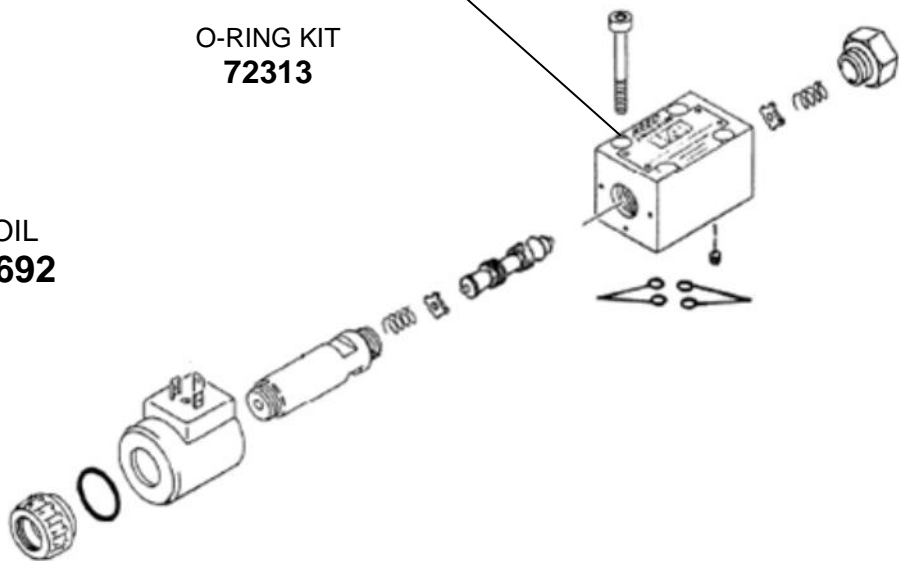
SOLENIOD VALVE ASSEMBLIES

REVERSE CIRCUIT PILOT SOLENOID
VALVE ASSEMBLY

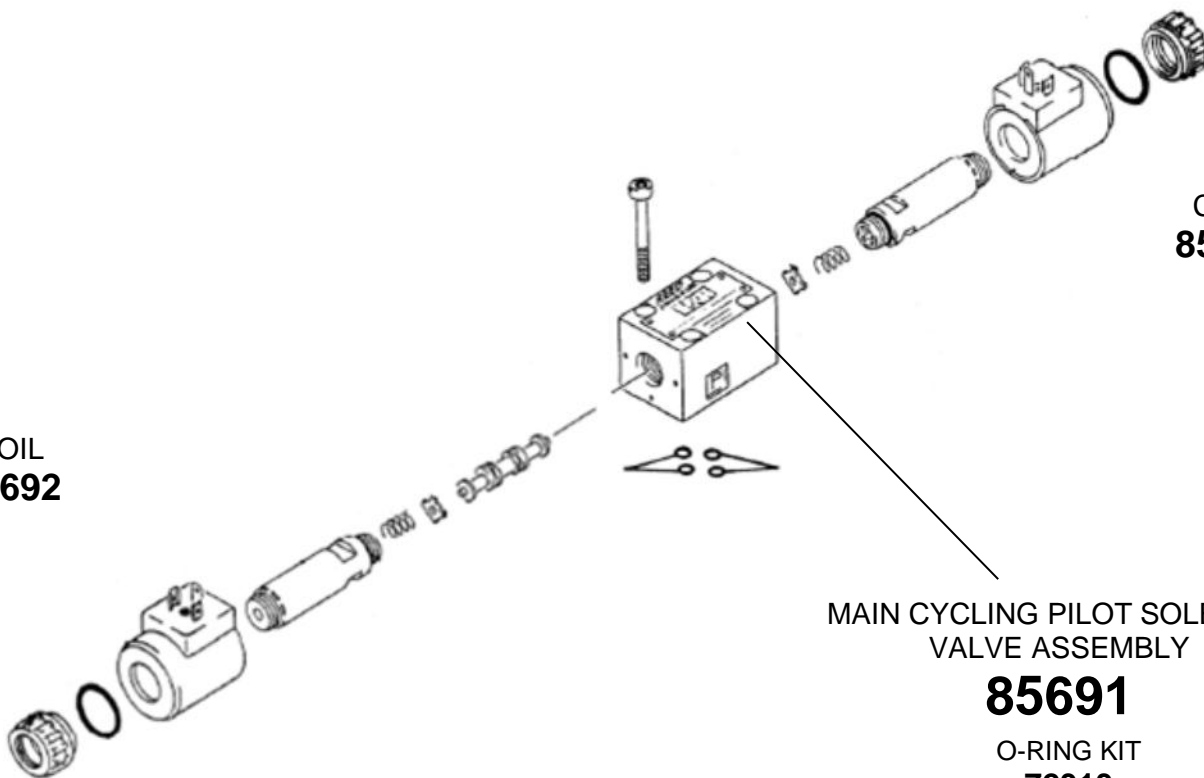
BW10183

O-RING KIT
72313

COIL
85692



COIL
85692



COIL
85692

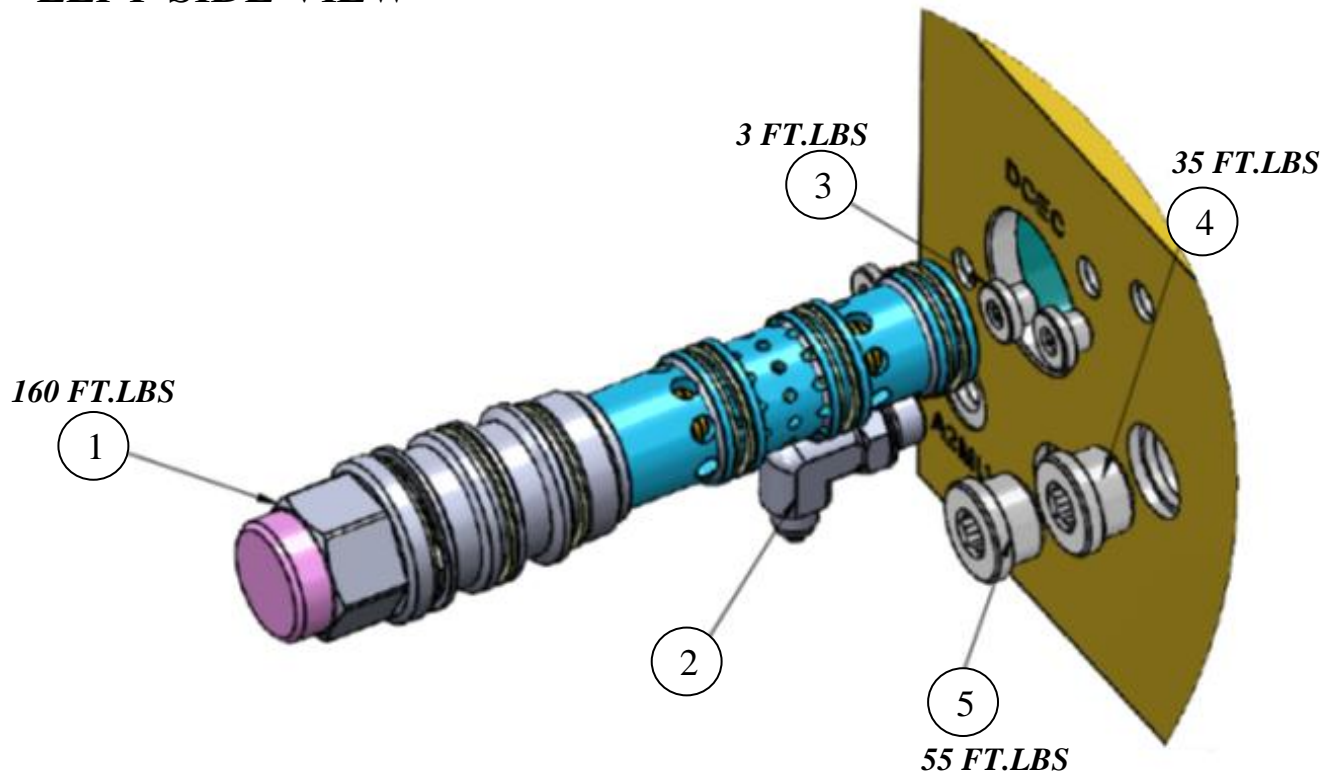
MAIN CYCLING PILOT SOLENOID
VALVE ASSEMBLY

85691

O-RING KIT
72313

MAIN PUMP MANIFOLD CONTINUED

LEFT-SIDE VIEW

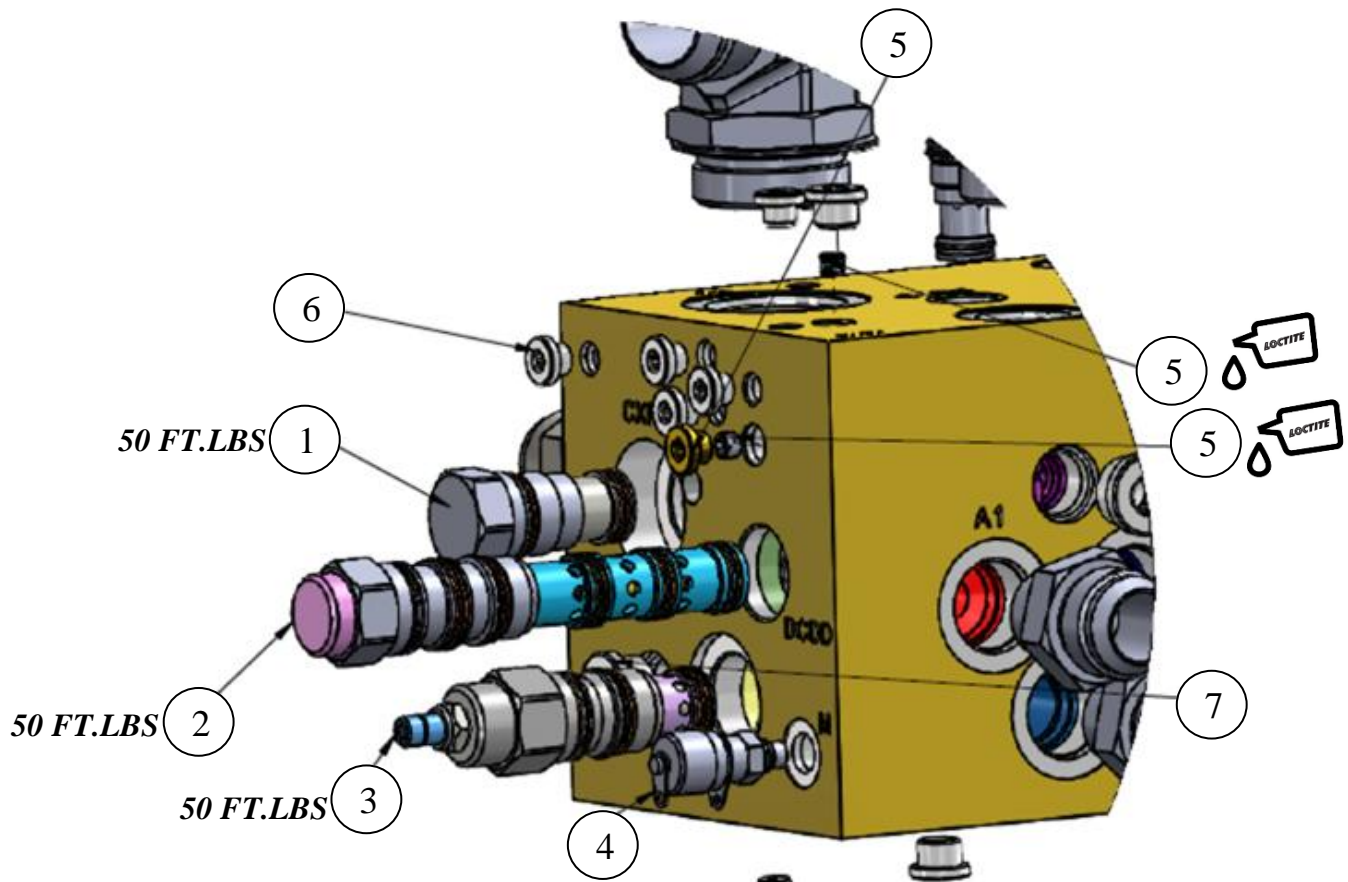


TORQUE CHART	ZERO LEAK PLUG	FT.LBS
2SS-S02	SAE PLUG	3
2SS-S08	SAE PLUG	35

ID #	PART #	PART DESCRIPTION	QUANTITY	
1	BW10181	DIRECTIONAL CARTRIDGE (DCEC)	1	EA
2	8628-006	ELBOW, MB-MJ90-4-6	1	EA
3	2SS-S02	SAE PLUG	REF	
4	2SS-S08	SAE PLUG	REF	
5	2SS-S10	SAE PLUG	REF	

MAIN PUMP MANIFOLD CONTINUED

RIGHT-SIDE VIEW



TORQUE CHART	ZERO LEAK PLUG	FT.LBS
2SS-S02	SAE PLUG	3
2SS-S08	SAE PLUG	35

ID #	PART #	PART DESCRIPTION	QUANTITY	
1	BW10327	CHECK VALVE CARTRIDGE (CXFA)	1	EA
2	BW10182	DIRECTIONAL CARTRIDGE (DCDD)	1	EA
3	85703	RELIEF VALVE CARTRIDGE (RVEA)	1	EA
4	78593	MINI CHECK ADAPTER (M)	1	EA
5		1/16 NPT PLUG (Internal)	2	EA
6	2SS-S02	SAE PLUG	REF	
7	2SS-S08	SAE PLUG	REF	



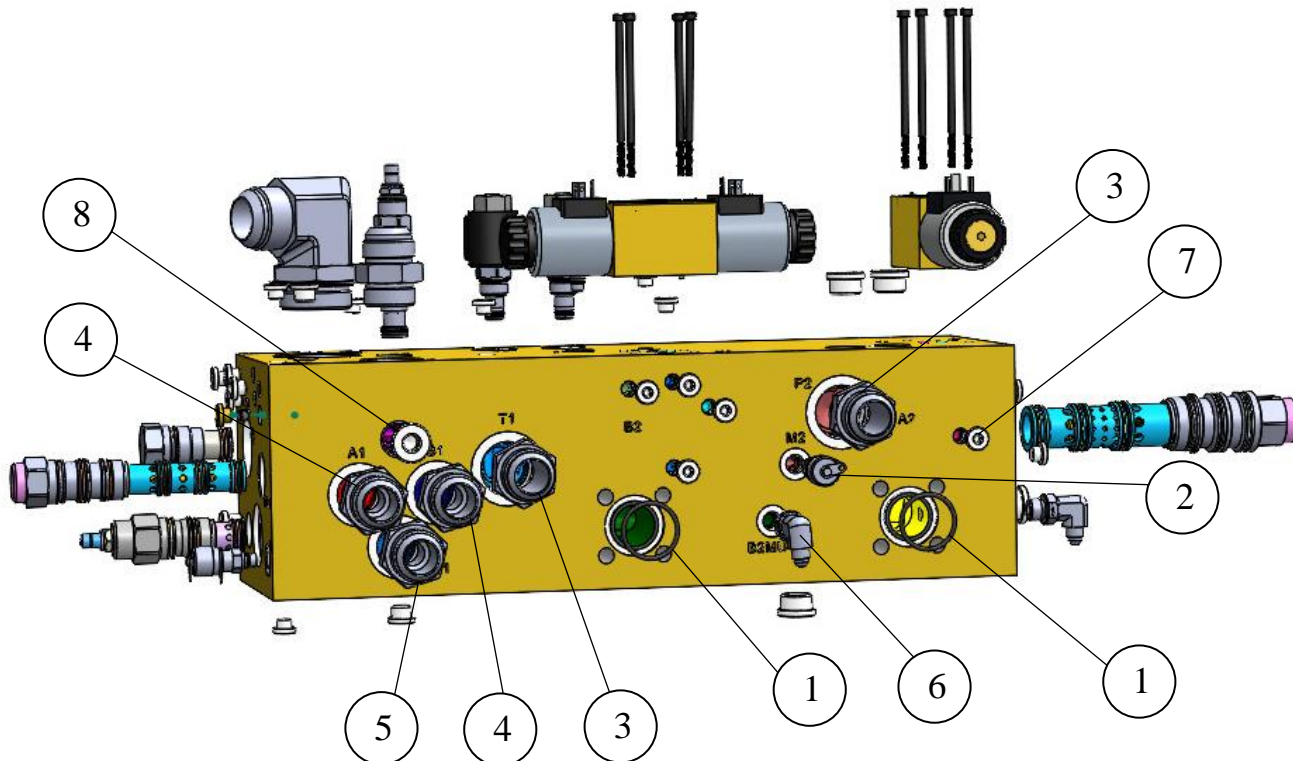
A40HP STAGE-5

PARTS

13822 Oaks Avenue
Chino, CA 91710
reedpumps.com
909-287-2100

MAIN PUMP MANIFOLD CONTINUED

BACK-SIDE VIEW



TORQUE CHART	ZERO LEAK PLUG	FT.LBS
2SS-S02	SAE PLUG	3
2SS-S08	SAE PLUG	35

ID #	PART #	PART DESCRIPTION	QUANTITY	
1	BW10177	O-RING	2	EA
2	78593	MINI CHECK ADAPTER	2	EA
3	86900-028	ADAPTER, MB-MJ-16-16	2	EA
4	86900-023	ADAPTER, MB-MJ-12-12	2	EA
5	86900-024	ADAPTER, MB-MJ-12-16	1	EA
6	86728-006	ELBOW, MB-MJ90-4-6	1	EA
7	2SS-S02	SAE PLUG	REF	
8	2SS-S08	SAE PLUG	REF	



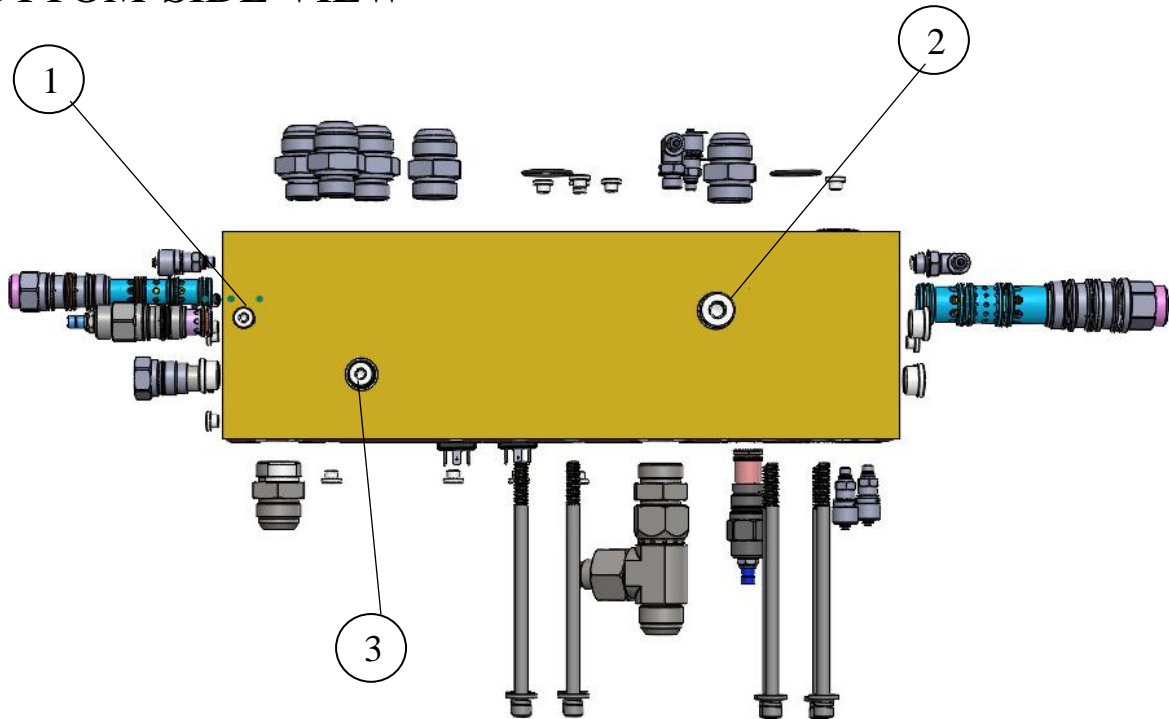
A40HP STAGE-5

PARTS

13822 Oaks Avenue
 Chino, CA 91710
 reedpumps.com
 909-287-2100

MAIN PUMP CONTROL MANIFOLD CONTINUE

BOTTOM-SIDE VIEW



TORQUE CHART	ZERO LEAK PLUG	FT.LBS
2SS-S02	SAE PLUG	3
2SS-S08	SAE PLUG	35
2SS-S10	SAE PLUG	55

ID #	PART #	PART DESCRIPTION	QUANTITY
1	2SS-S02	SAE PLUG	REF
2	2SS-S08	SAE PLUG	REF
3	2SS-S10	SAE PLUG	REF



A40HP STAGE-5 PARTS

13822 Oaks Avenue
Chino, CA 91710
reedpumps.com
909-287-2100

VALVES

- Y1- REED VALVE ASSEMBLY E220904
- Y2- REED VALVE ASSEMBLY S108-21
- Y3- REED VALVE ASSEMBLY S108-21
- Y4- SUN VALVE-1/4"
- M1- SUN VALVE-1/4"
- M4- SUN VALVE-1/4"
- M4- SUN VALVE-1/4"
- QCBD- SUN VALVE-1/4"
- QCBD- SUN VALVE-1/4"

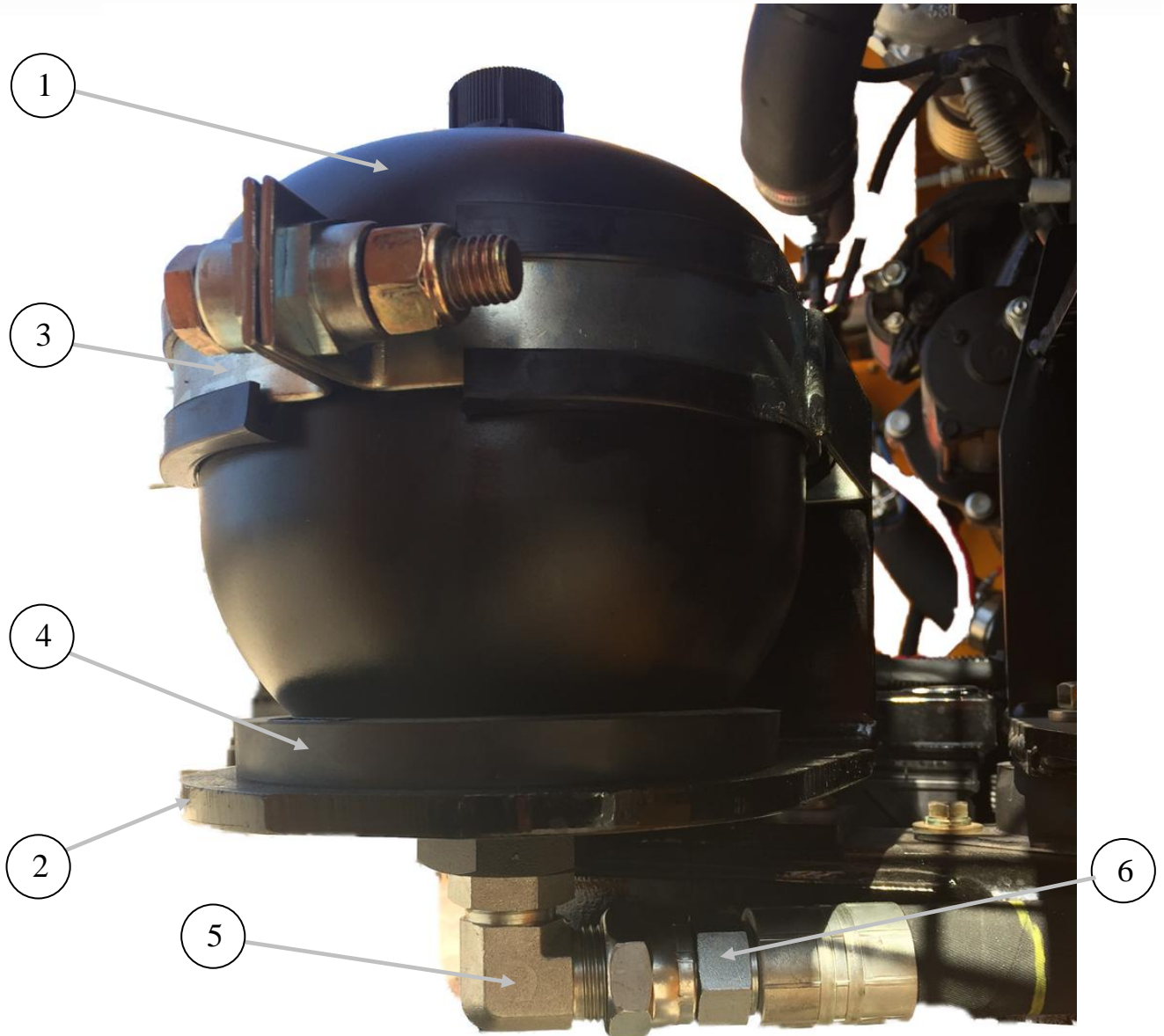
PORTS

- A1- PORTS- SQUARE FLANGE 1/2" BING GROOVE
- A2- PORTS- SQUARE FLANGE 1/2" BING GROOVE
- B1- PORTS- 1/2" BING GROOVE
- B2- PORTS- 1/2" BING GROOVE
- P1- PORTS- 1/2" BING GROOVE
- P2- PORTS- 1/2" BING GROOVE
- T1- PORTS- 1/2" BING GROOVE
- T2- PORTS- 1/2" BING GROOVE
- TR- PORTS- 1/2" BING GROOVE
- TO- PORTS- 1/2" BING GROOVE

ELDM SCHEMATIC

ITEM NO.	DESCRIPTION	QTY	UNIT	REVISION
1	REED VALVE ASSEMBLY E220904	1	EA	1
2	REED VALVE ASSEMBLY S108-21	1	EA	1
3	REED VALVE ASSEMBLY S108-21	1	EA	1
4	SUN VALVE-1/4"	1	EA	1
5	SUN VALVE-1/4"	1	EA	1
6	SUN VALVE-1/4"	1	EA	1
7	SUN VALVE-1/4"	1	EA	1
8	SUN VALVE-1/4"	1	EA	1
9	SUN VALVE-1/4"	1	EA	1
10	SUN VALVE-1/4"	1	EA	1
11	SUN VALVE-1/4"	1	EA	1
12	SUN VALVE-1/4"	1	EA	1
13	SUN VALVE-1/4"	1	EA	1
14	SUN VALVE-1/4"	1	EA	1
15	SUN VALVE-1/4"	1	EA	1
16	SUN VALVE-1/4"	1	EA	1
17	SUN VALVE-1/4"	1	EA	1
18	SUN VALVE-1/4"	1	EA	1
19	SUN VALVE-1/4"	1	EA	1
20	SUN VALVE-1/4"	1	EA	1
21	SUN VALVE-1/4"	1	EA	1
22	SUN VALVE-1/4"	1	EA	1
23	SUN VALVE-1/4"	1	EA	1
24	SUN VALVE-1/4"	1	EA	1
25	SUN VALVE-1/4"	1	EA	1
26	SUN VALVE-1/4"	1	EA	1
27	SUN VALVE-1/4"	1	EA	1
28	SUN VALVE-1/4"	1	EA	1
29	SUN VALVE-1/4"	1	EA	1
30	SUN VALVE-1/4"	1	EA	1
31	SUN VALVE-1/4"	1	EA	1
32	SUN VALVE-1/4"	1	EA	1
33	SUN VALVE-1/4"	1	EA	1
34	SUN VALVE-1/4"	1	EA	1
35	SUN VALVE-1/4"	1	EA	1
36	SUN VALVE-1/4"	1	EA	1
37	SUN VALVE-1/4"	1	EA	1
38	SUN VALVE-1/4"	1	EA	1
39	SUN VALVE-1/4"	1	EA	1
40	SUN VALVE-1/4"	1	EA	1
41	SUN VALVE-1/4"	1	EA	1
42	SUN VALVE-1/4"	1	EA	1
43	SUN VALVE-1/4"	1	EA	1
44	SUN VALVE-1/4"	1	EA	1
45	SUN VALVE-1/4"	1	EA	1
46	SUN VALVE-1/4"	1	EA	1
47	SUN VALVE-1/4"	1	EA	1
48	SUN VALVE-1/4"	1	EA	1
49	SUN VALVE-1/4"	1	EA	1
50	SUN VALVE-1/4"	1	EA	1
51	SUN VALVE-1/4"	1	EA	1
52	SUN VALVE-1/4"	1	EA	1
53	SUN VALVE-1/4"	1	EA	1
54	SUN VALVE-1/4"	1	EA	1
55	SUN VALVE-1/4"	1	EA	1
56	SUN VALVE-1/4"	1	EA	1
57	SUN VALVE-1/4"	1	EA	1
58	SUN VALVE-1/4"	1	EA	1
59	SUN VALVE-1/4"	1	EA	1
60	SUN VALVE-1/4"	1	EA	1
61	SUN VALVE-1/4"	1	EA	1
62	SUN VALVE-1/4"	1	EA	1
63	SUN VALVE-1/4"	1	EA	1
64	SUN VALVE-1/4"	1	EA	1
65	SUN VALVE-1/4"	1	EA	1
66	SUN VALVE-1/4"	1	EA	1
67	SUN VALVE-1/4"	1	EA	1
68	SUN VALVE-1/4"	1	EA	1
69	SUN VALVE-1/4"	1	EA	1
70	SUN VALVE-1/4"	1	EA	1
71	SUN VALVE-1/4"	1	EA	1
72	SUN VALVE-1/4"	1	EA	1
73	SUN VALVE-1/4"	1	EA	1
74	SUN VALVE-1/4"	1	EA	1
75	SUN VALVE-1/4"	1	EA	1
76	SUN VALVE-1/4"	1	EA	1
77	SUN VALVE-1/4"	1	EA	1
78	SUN VALVE-1/4"	1	EA	1
79	SUN VALVE-1/4"	1	EA	1
80	SUN VALVE-1/4"	1	EA	1
81	SUN VALVE-1/4"	1	EA	1
82	SUN VALVE-1/4"	1	EA	1
83	SUN VALVE-1/4"	1	EA	1
84	SUN VALVE-1/4"	1	EA	1
85	SUN VALVE-1/4"	1	EA	1
86	SUN VALVE-1/4"	1	EA	1
87	SUN VALVE-1/4"	1	EA	1
88	SUN VALVE-1/4"	1	EA	1
89	SUN VALVE-1/4"	1	EA	1
90	SUN VALVE-1/4"	1	EA	1
91	SUN VALVE-1/4"	1	EA	1
92	SUN VALVE-1/4"	1	EA	1
93	SUN VALVE-1/4"	1	EA	1
94	SUN VALVE-1/4"	1	EA	1
95	SUN VALVE-1/4"	1	EA	1
96	SUN VALVE-1/4"	1	EA	1
97	SUN VALVE-1/4"	1	EA	1
98	SUN VALVE-1/4"	1	EA	1
99	SUN VALVE-1/4"	1	EA	1
100	SUN VALVE-1/4"	1	EA	1

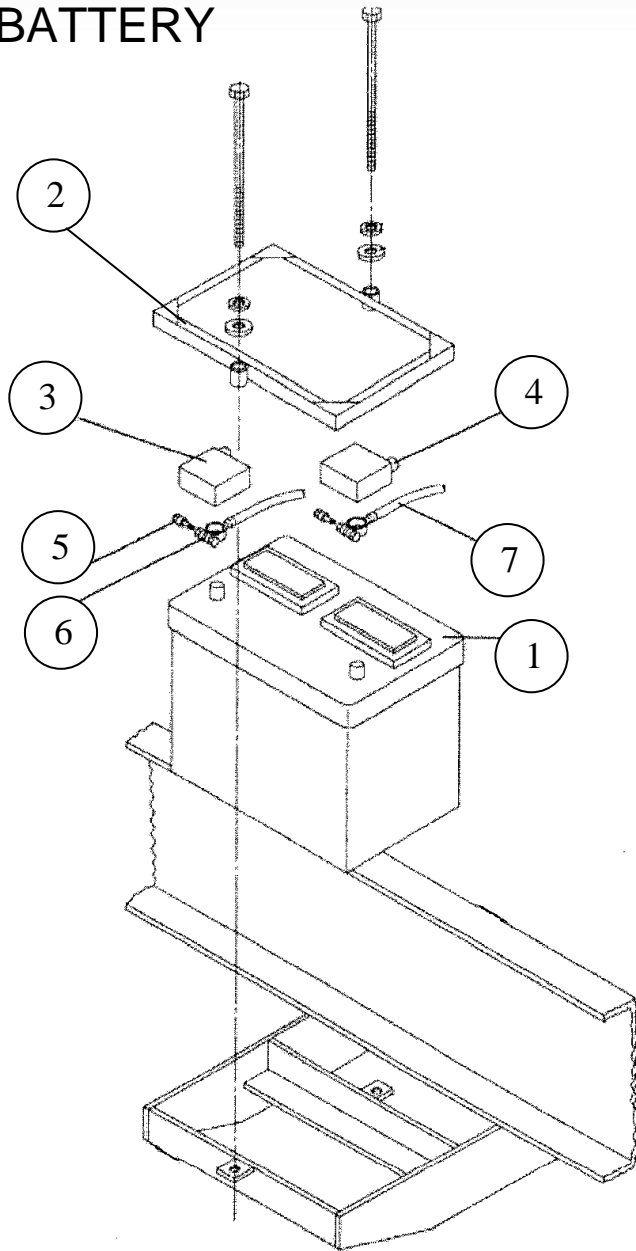
ACCUMULATOR



ID #	PART #	PART DESCRIPTION	QUANTITY	
1	BW10184	ACCUMULATOR, 2 LITERS	1	EA
2	BW10572	ACCUMULATOR MOUNTING BRACKET WELD T4	1	EA
3	73171	ACCUMULATOR BKT. W/HARDWARE	1	EA
4	801028	SUPPORT RING, ACCUMULATOR	1	EA
5	86728-019	MB-MJ-90-12-12, ELBOW	1	EA
6	85667-006	HOSE, 12G5K-12FJX-12FJX-23.00	1	EA

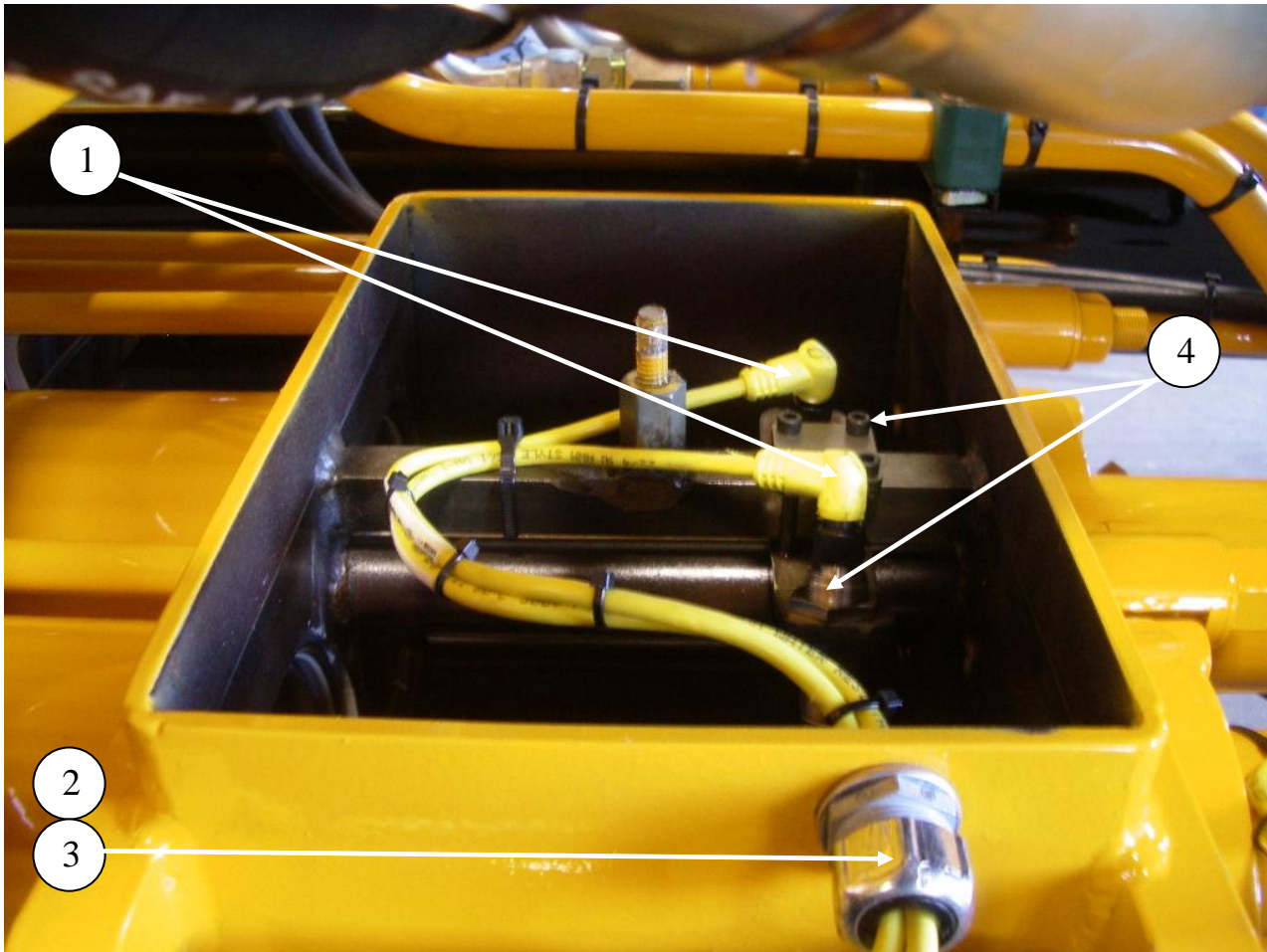
ELECTRICAL GROUP

BATTERY



ID #	PART #	PART DESCRIPTION	QUANTITY	
	BW44020	ELECTRICAL GROUP A SER BW10039-2	1	EA
1	77075	BATTERY-12V 1000 CCA31	1	EA
2	72945	BATTERY HOLD DOWN	1	EA
3	77719	COVER, POSITIVE BATT-RED	1	EA
4	77720	COVER, NEGATIVE BATT-BLACK	1	EA
5	87223	EXTENDER, TOP TERMINAL BOLT	2	EA
6	72014	CABLE-38" BATTERY-RED	1	EA
7	75116	CABLE-26" BATTERY-BLACK	1	EA

PROXIMITY SWITCHES



ID #	PART #	PART DESCRIPTION	QUANTITY	
1	77990	CABLE, PROXIMITY SWITCH	2	EA
2	10522	STRAIN RELIEF	1	EA
3	10528	NUT ½" BONDING TYPE LOCK	1	EA
4	77998	PROXIMITY SENSOR NPN	2	EA

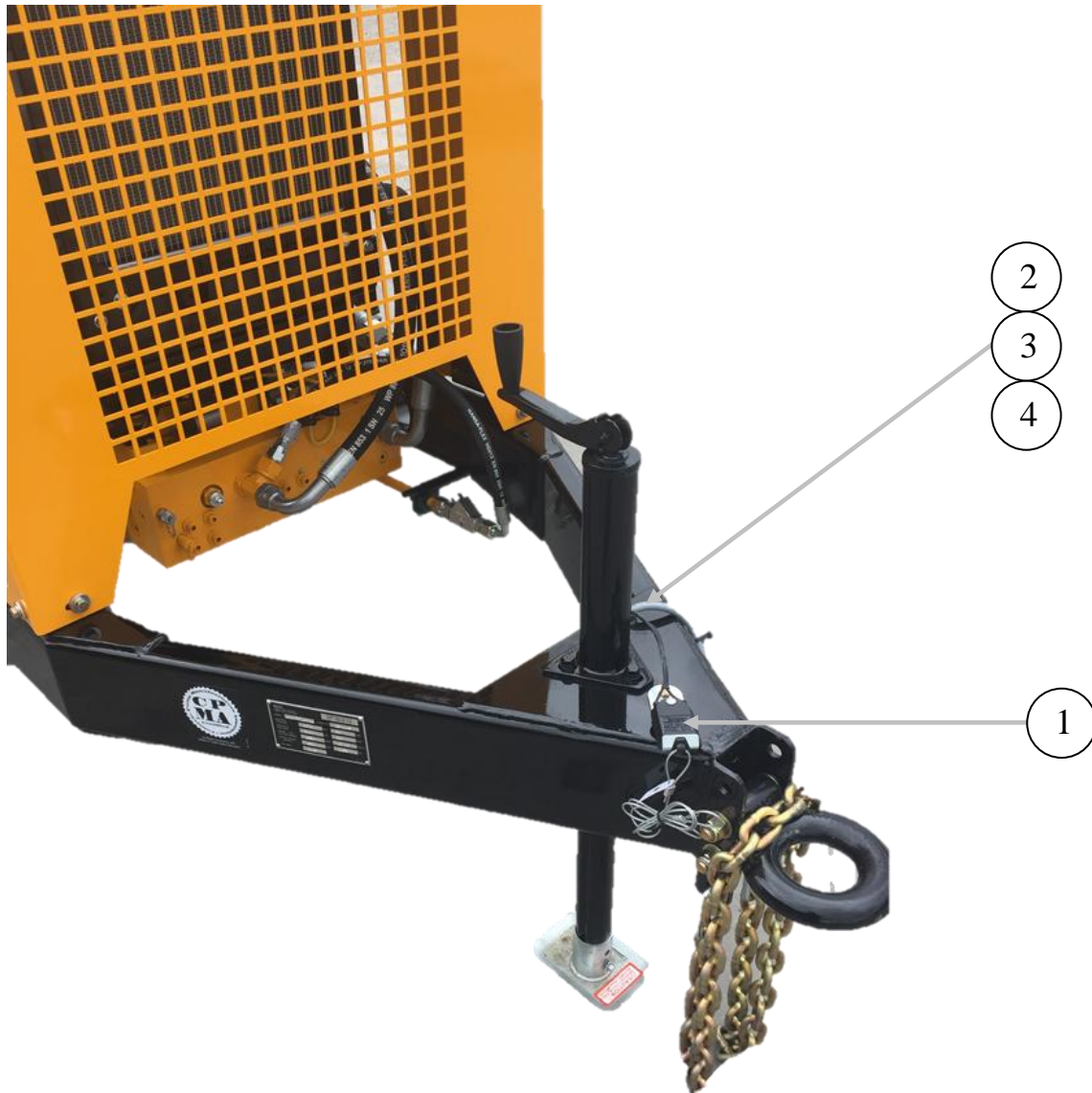


A40HP STAGE-5

PARTS

13822 Oaks Avenue
Chino, CA 91710
reedpumps.com
909-287-2100

TRAILER HARNESS AND BREAKAWAY



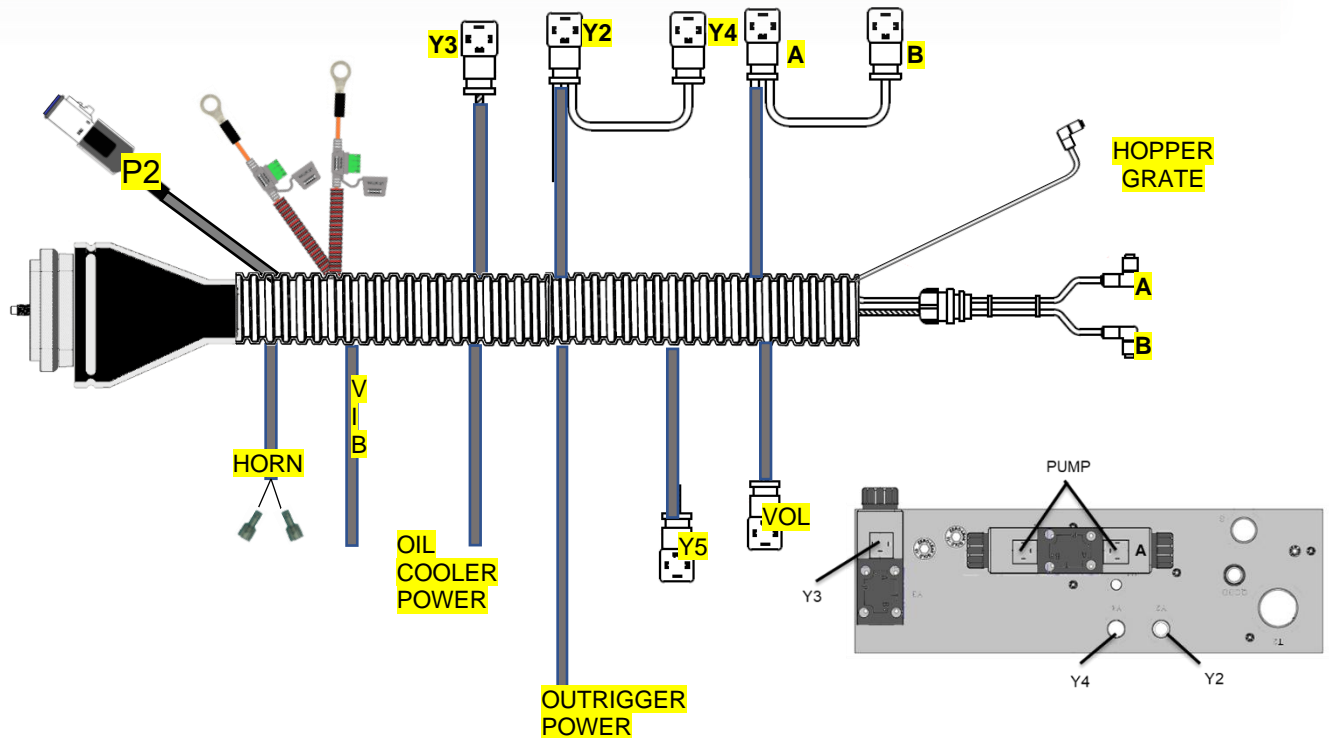
ID #	PART #	PART DESCRIPTION	QUANTITY	
1	77705	BREAK-AWAY KIT 5000 SERIES	1	EA
2	86579	TRAILER PLUG 7C FLAT PI	1	EA
3	BW10139	WIRING HARNESS TRAILER A SERIES	1	EA
4	86759	GROMMET	1	EA



A40HP STAGE-5 PARTS

13822 Oaks Avenue
Chino, CA 91710
reedpumps.com
909-287-2100

ENGINE/PUMP WIRING HARNESS



ID #	PART #	PART DESCRIPTION	QUANTITY	
	BW10534	WIRING HARNESS A SERIES, TIER 4 ASSY	1	EA
1	89651	PLUG, 48 SOCKET HARNESS SIDE	1	EA
2	89651-B	BOOT FOR 89651 PLUG	1	EA
3	89651-W	WEDGE FOR 89651 PLUG	24	EA
4	BW10147	CONTACT SOCKET SIZE-16,13 AMP	12	EA
5	88959	CONTACT SOCKET SIZ 20 7.5 AMP	24	EA
6	77990	CABLE, PROXIMITY SWITCH, 5M	3	EA
7	10528	NUT- 1/2" BONDING TYPE LOCK NUT	1	
8	30240	GASKET- LIQUID TITE- ELECT	1	EA
9	10522	STRAIN RELIEF	1	EA
10	87540	TURCK U7106-05 CABLES/CONNECTIVITY	6	EA
11	88935	3 WAY PLUG DT SER.	1	EA
12	88937	WEDGE LOCK, DT 3 PIN PLUG, BLUE	1	EA
13	88935-B	BOOT FOR 3 WAY DT SERIES PLUG	1	EA
14	89218	DEUSCH DT04 RECP, 12 PIN	1	EA
15	88958	CONTACT PIN SOLID SIZE 16	7	EA
16	89218-1	DEUTSCH WEDGE FOR 89218	1	EA
17	85617	CABLE, 14 AWG-4C, PVC-GRY	13	FT
18	89127	CABLE, BLUE HOSE, 20 AWG	13	FT
19	88678	CABLE SHIELD PROXIMITY SWITCH, 5M	1	EA
20	BW10254-125	1.25" DIA WIRING LOOM PLASTIC, SPLIT	3.5	FT
21	BW10254-062	.625" DIA WIRING LOOM PLASTIC, SPLIT	7	FT

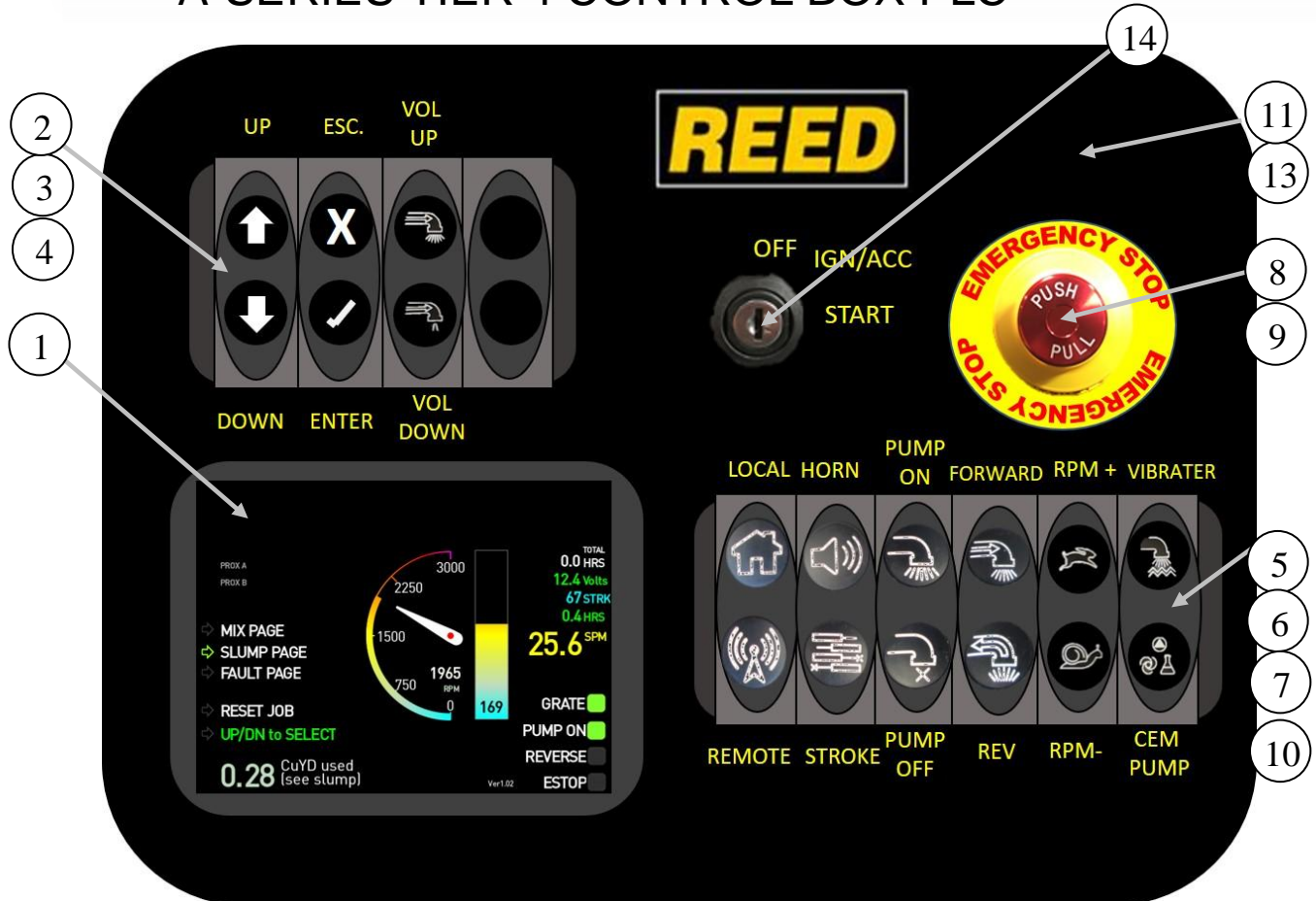


A40HP STAGE-5 PARTS

13822 Oaks Avenue
Chino, CA 91710
reedpumps.com
909-287-2100

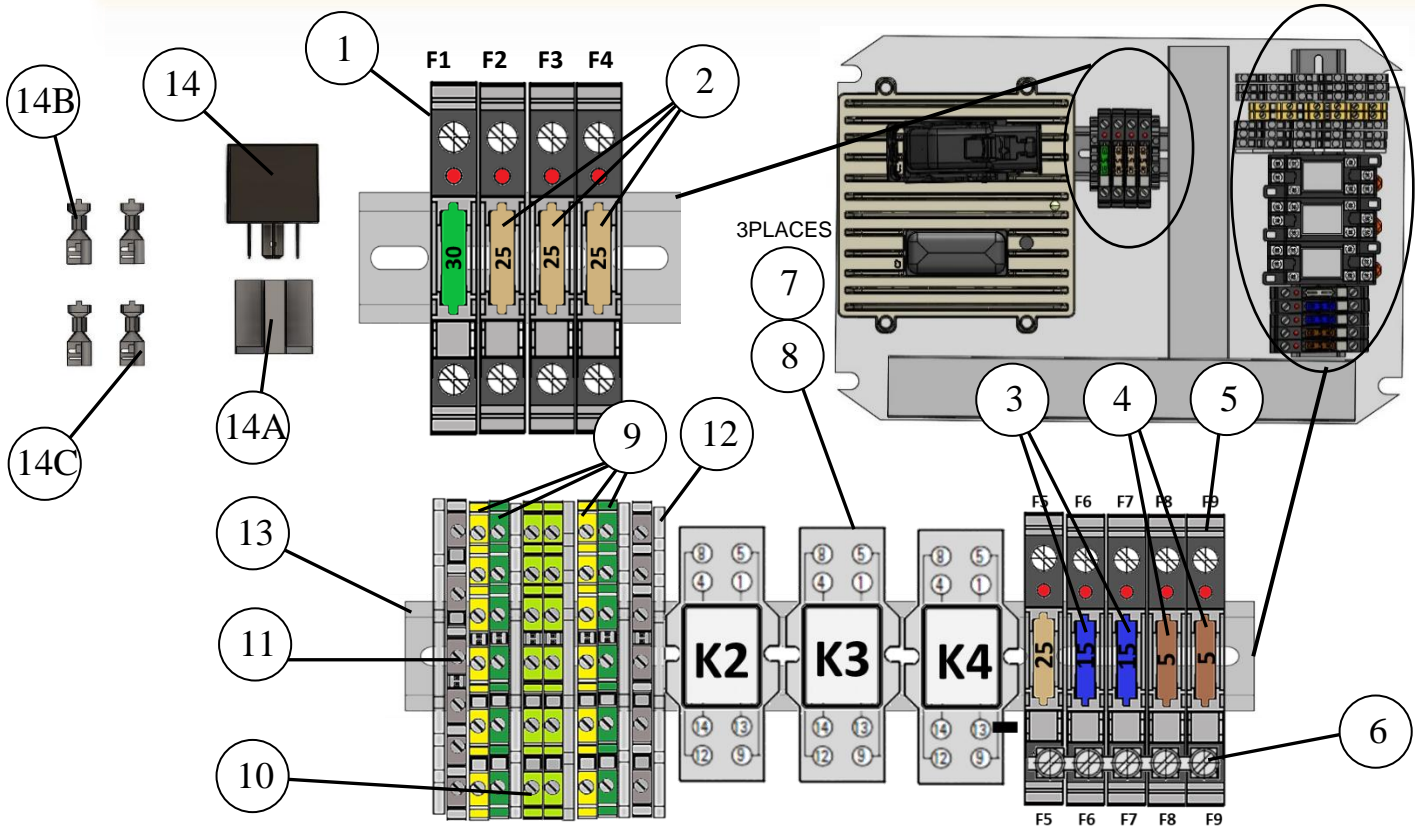
MAIN CONTROLS

A-SERIES TIER 4 CONTROL BOX PLC



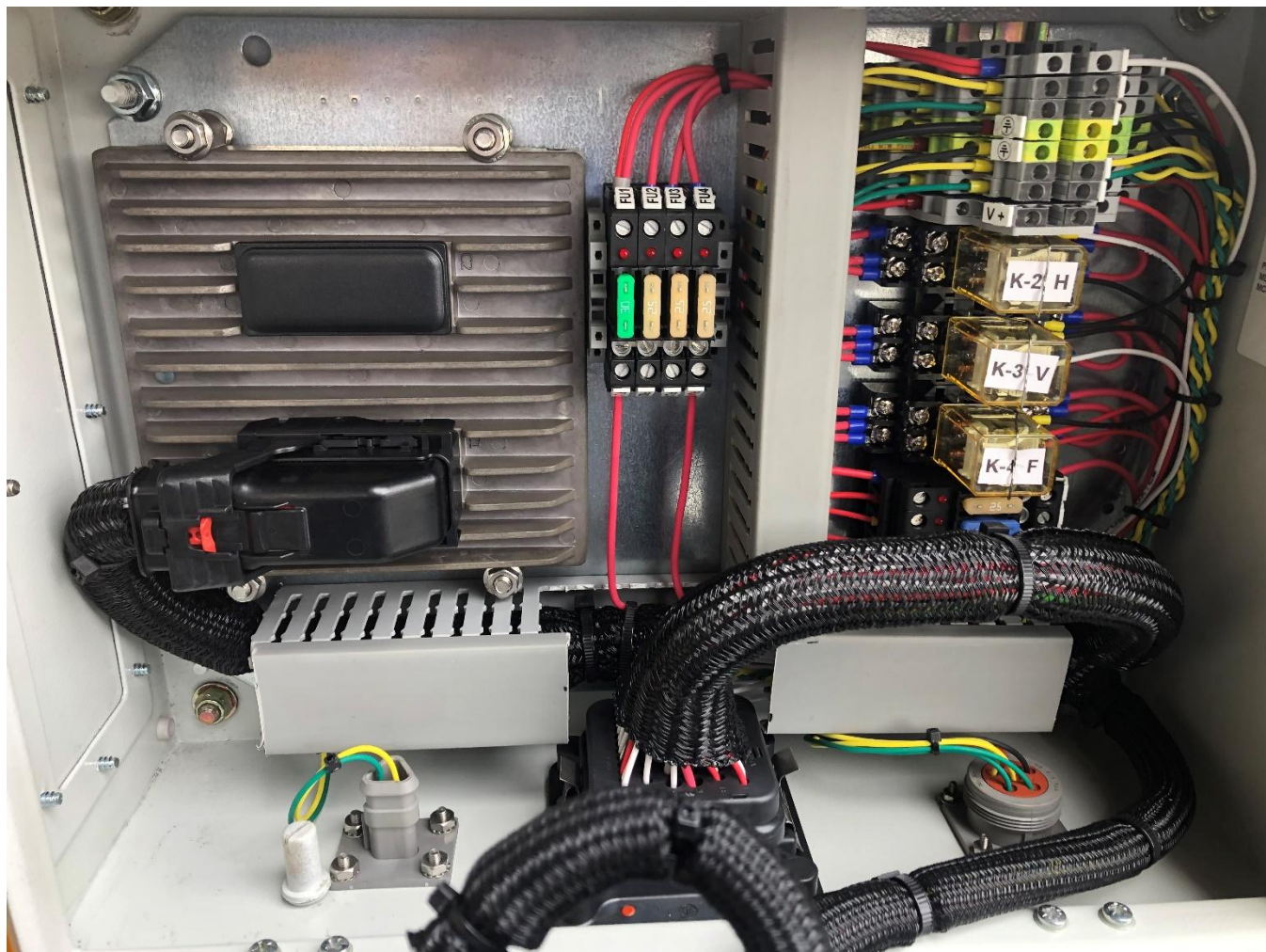
ID #	PART #	PART DESCRIPTION	QUANTITY	
	BW10578	CONTROL BOX ASSY A SERIES TIER-4 PERKINS	ASSY	
1	89612	DISPLAY, 5", MD4-5	1	EA
2	89615	KEYPAD 2X4, PKU	1	EA
3	89615-B	BACKPLATE, 2X4	1	EA
4	89616-FG	FINGER GUARD, 2X4	4	EA
5	89616	KEYPAD 2X6, PKU	1	EA
6	89616-B	BACKPLATE, 2X6	1	EA
7	89616-FG	FINGER GUARD, 2X6	6	EA
8	89090	EMERGENCY STOP PUSH BUTTON HEAVY DUTY	1	EA
9	89090-L	ILLUMINATED E-STOP RING	1	EA
10	BW10514	INSERT KIT FOR PLC SWITCH FUNCTIONES	1	EA
11	BW10559	ENCLOSURE MACHINED TIER-4	REF	
12	89307-1	LANYARD, 12" NYLON COATED	REF	
13	BW10555	DECAL CONTROL PANEL A SER PLC TIER-4	1	EA
14	89004	KEY SWITCH	1	EA

A-SERIES TIER 4 CONTROL BOX PLC CONTINUE



ID #	PART #	PART DESCRIPTION	QUANTITY	
	BW10578	CONTROL BOX ASSY A SERIES TIER-4 PERKINS	ASSY	
1	88956	FUSE 30AMP AUTOMOTIVE MINIATURE BLADE (F1)	1	EA
2	89697	FUSE 25AMP AUTOMOTIVE (F2,F3,F4,F5)	4	EA
3	88954	FUSE 15AMP AUTOMOTIVE (F6,F7)	2	EA
4	90392	FUSE 5AMP AUTOMOTIVE (F8,F9)	2	EA
5	88881	FUSE HOLDER AUTO STYLE DIN RAIL (F1-F9)	9	EA
6	88881-B	JUMPER FIXED BRIDGE	1	BAR
7	88345-1	RELAY, 2PDT,12VDC W/CHECK BUTTON (K2,K3,K4)	3	EA
8	88347	BASE, RELAY (K2,K3,K4)	3	EA
9	89921	TERMINAL BLOCK, 6 POSITION BUSS	5	EA
10	89922	TERMINAL BLOCK, GND	2	EA
11	89923	TERMINAL BLOCK	1	EA
12	89926	END COVERS FOR 89921	3	EA
13	20164	DIN RAIL	REF	EA
14	W-105618	RELAY, SPST,12V, 70 AMP (K1)	1	EA
14A	W-105619	SOCKET, W-105618 RELAY (MAIN POWER)	1	EA
14B	W-105617	PIN, (LARGE)	2	EA
14C	72927	PIN, (SMALL)	2	EA

A-SERIES TIER 4 CONTROL BOX PLC CONTINUE



ID #	PART #	PART DESCRIPTION	QUANTITY	
1	89307	LANYARD, 18" – NYLON COATED	1	EA
2	89567	LOOM, BRAIDED, 1/2"		

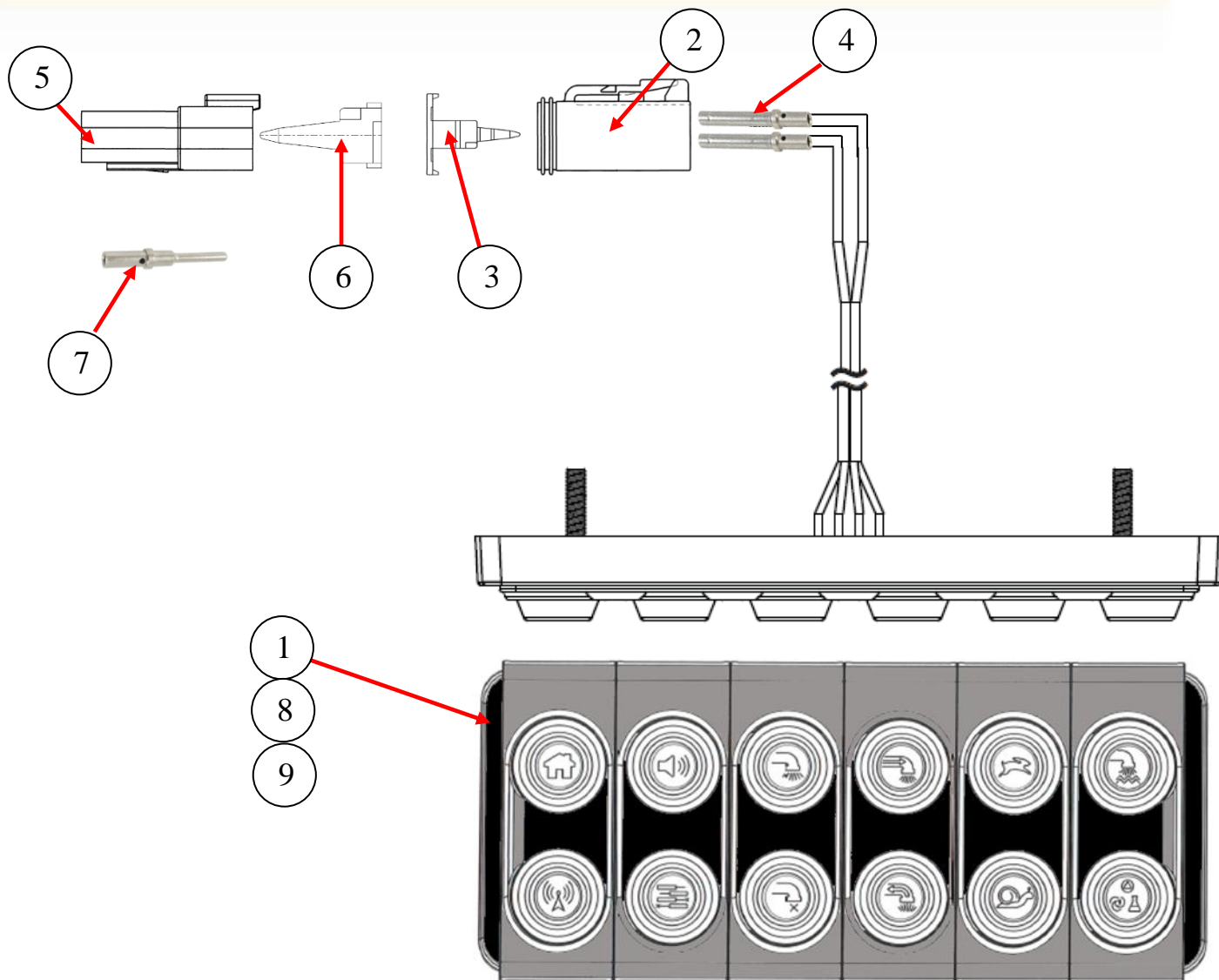


A40HP STAGE-5

PARTS

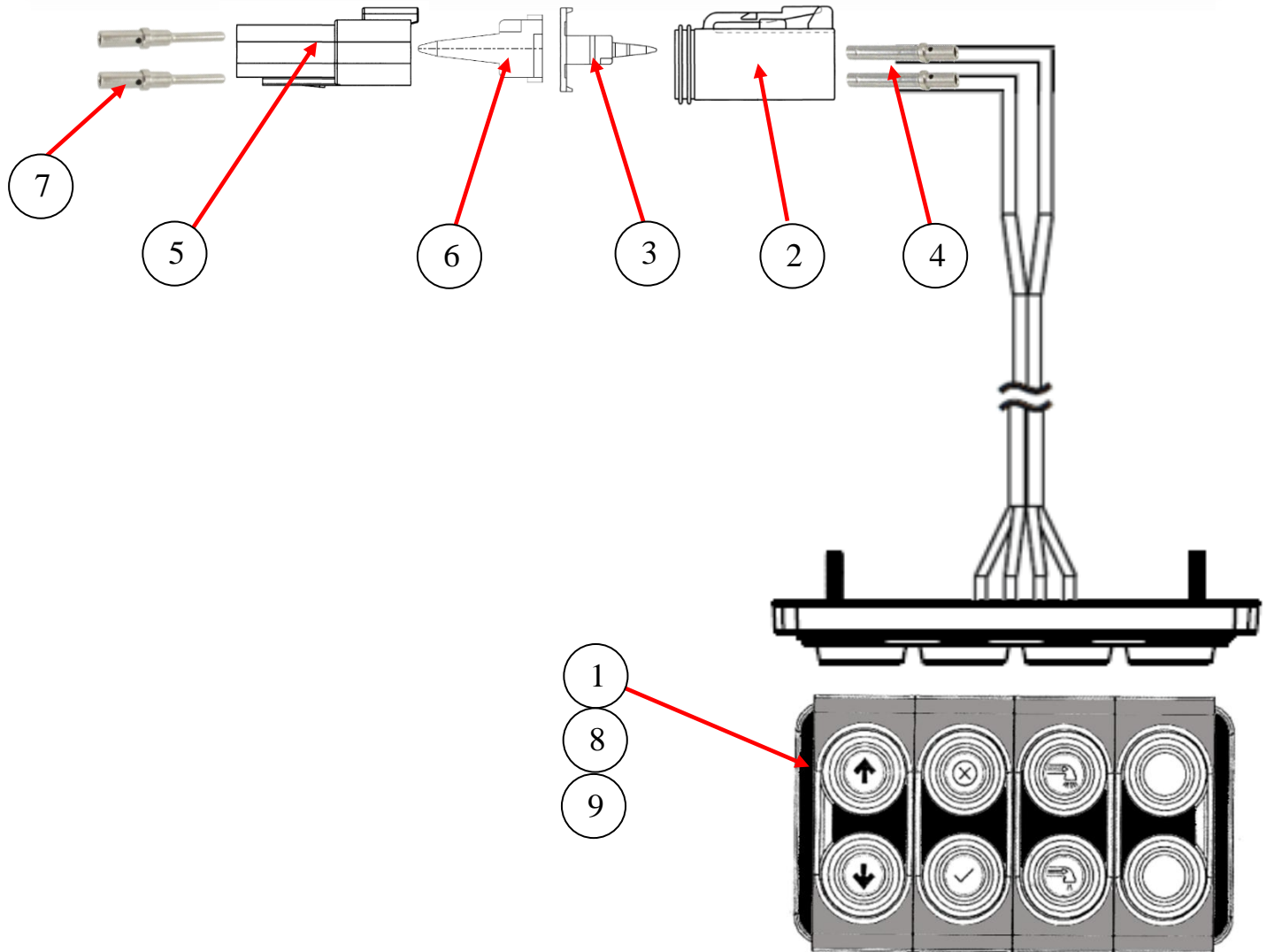
13822 Oaks Avenue
Chino, CA 91710
reedpumps.com
909-287-2100

KEYPAD 2X6



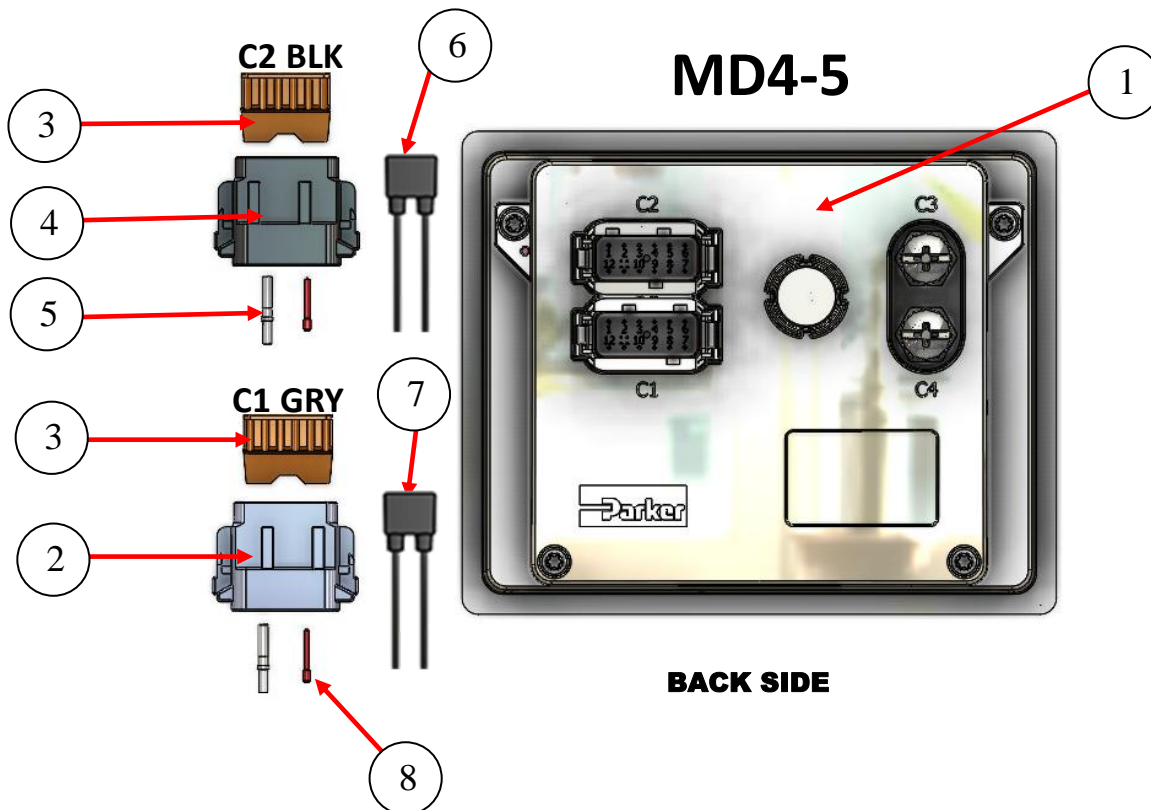
ID #	PART #	PART DESCRIPTION	QUANTITY	
1	89616	KEYPAD 2X6, PKU	ASSY	
2	89102	DEUTSCH DT04 PLUG, (FEMALE) 2X6	1	EA
3	89132	DEUTSCH WEDGE LOCK FOR 89102	1	EA
4	BW10147	CONTACT PIN 16 AWG (FEMALE)	4	EA
5	89146	DEUTSCH DT04 PLUG, (MALE) 2X6	1	EA
6	89209	DEUTSCH WEDGE LOCK FOR 89146	1	EA
7	88958	CONTACT PIN 16 AWG (MALE)	4	EA
8	89616-B	BACKPLATE, 2X6	1	EA
9	89616-FG	FINGER GUARD, 2X6	6	EA

KEYPAD 2X2



ID #	PART #	PART DESCRIPTION	QUANTITY	
1	89614	KEYPAD 2X2, PKU	ASSY	
2	89102	DEUTSCH DT04 PLUG, (FEMALE) 2X4	1	EA
3	89132	DEUTSCH WEDGE LOCK FOR 89102	1	EA
4	BW10147	CONTACT PIN 16 AWG (FEMALE)	4	EA
5	89146	DEUTSCH DT04 PLUG, (MALE) 2X4	1	EA
6	89209	DEUTSCH WEDGE LOCK FOR 89146	1	
7	88958	CONTACT PIN 16 AWG (MALE)	4	EA
8	89614-B	BACKPLATE, 2X2	1	EA
9	89616-FG	FINGERGUARD	4	EA

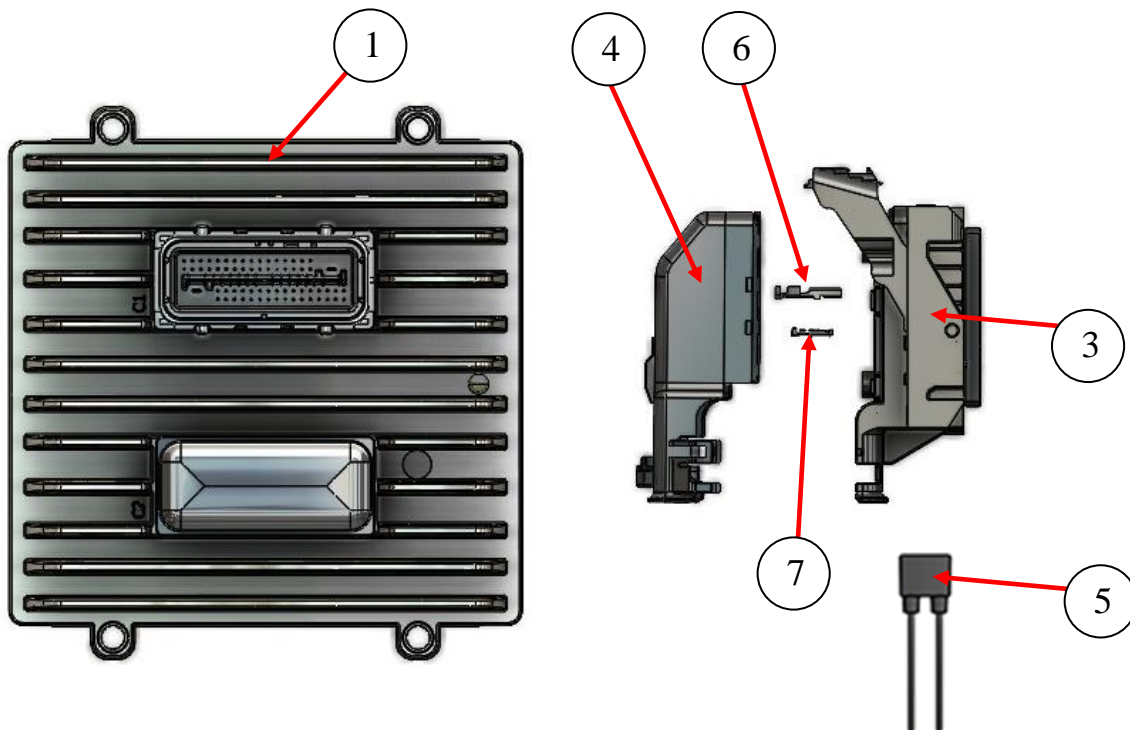
MD4-5 DISPLAY MODULE



ID #	PART #	PART DESCRIPTION	QUANTITY	
1	89612	DISPLAY, 5", MD4-5	ASSY	
2	88653	GREY PLUG C1-GREY	1	EA
3	88653-2	WEDGE LOCK	2	EA
4	88652	BLACK PLUG C2-BLK	1	EA
5	88959	PIN, SOLID (FEMALE)	9	EA
6	89136	MOLDED 1.5K RESISTOR, TAG #3	1	EA
7	89136-0	MOLDED 294 RESISTORS, TAG #0	1	EA
8	88653-P	SEAL, PLUG (RED)	REF	

EXPANSION MODULE MC42

MC42-C1



ID #	PART #	PART DESCRIPTION	QUANTITY	
1	89613	CONTROLLER, MC42	1	EA
2	BW10547	MC42 C1 CABLE HARNESS ASSY 2.5 M LONG	1	EA
3	89622	PLUG, FOR 89613 CONTROLLER	1	EA
4	89622-C	COVER, FOR 89622	1	EA
5	89136-1	MOLDED 590 RESISTORS, TAG #1	1	EA
6	89623	PIN, 0.64 MOLEX	37	EA
7	89624	PIN, 2.8 MOLX	2	EA

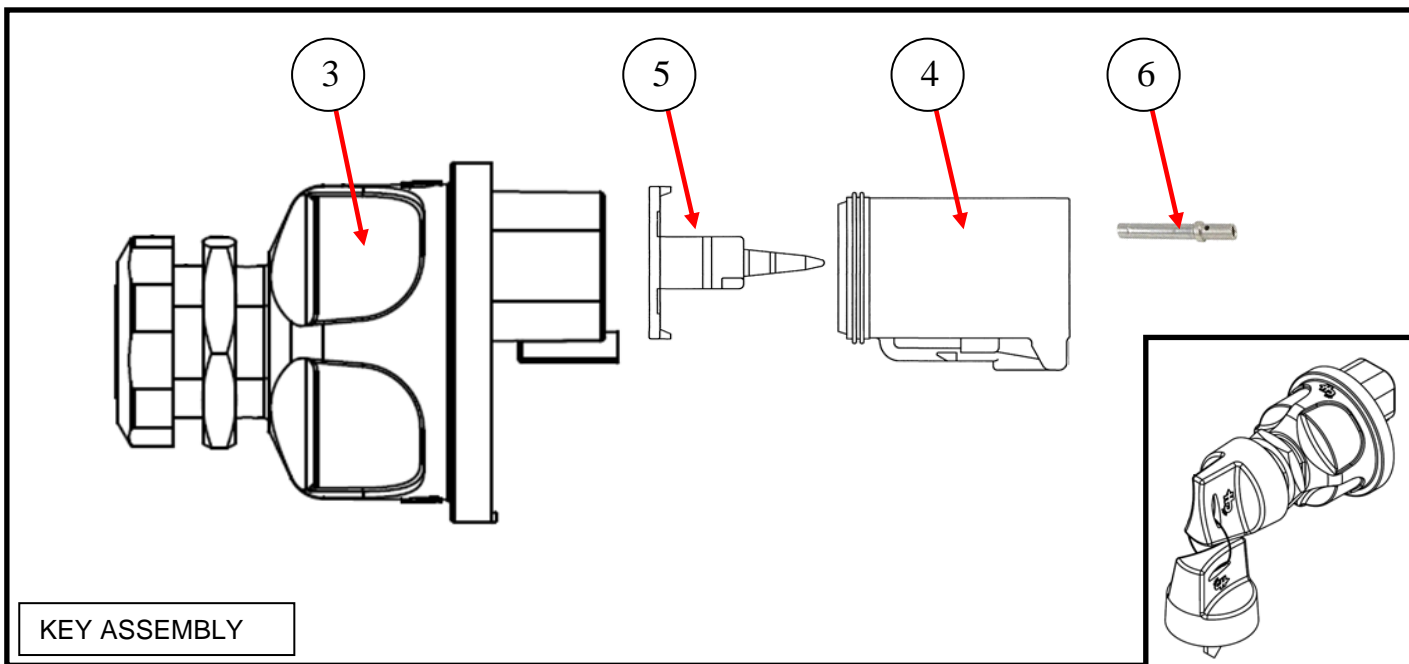
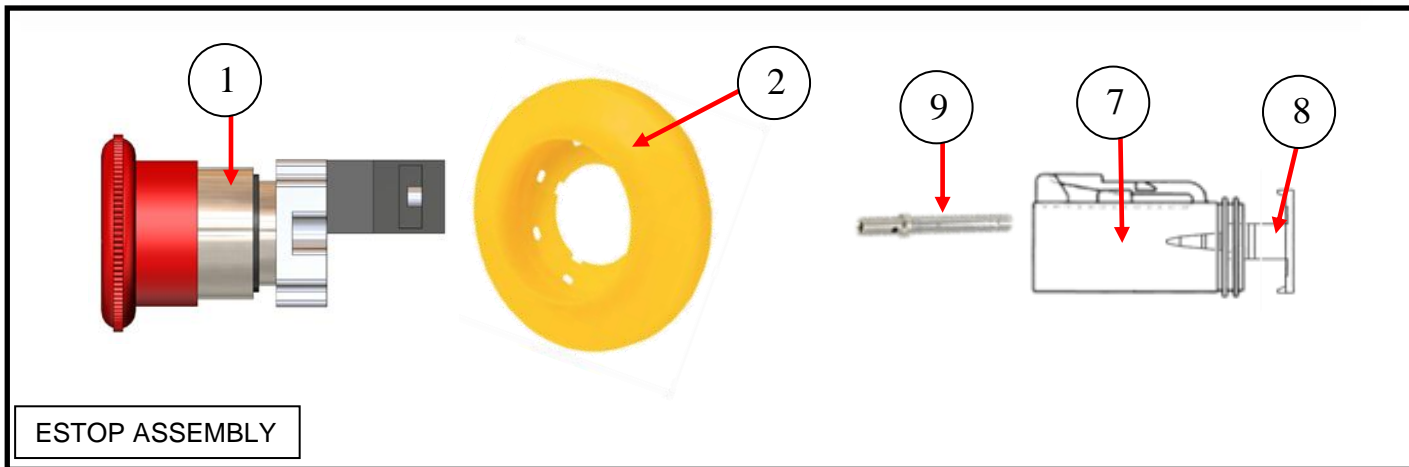


A40HP STAGE-5

PARTS

13822 Oaks Avenue
Chino, CA 91710
reedpumps.com
909-287-2100

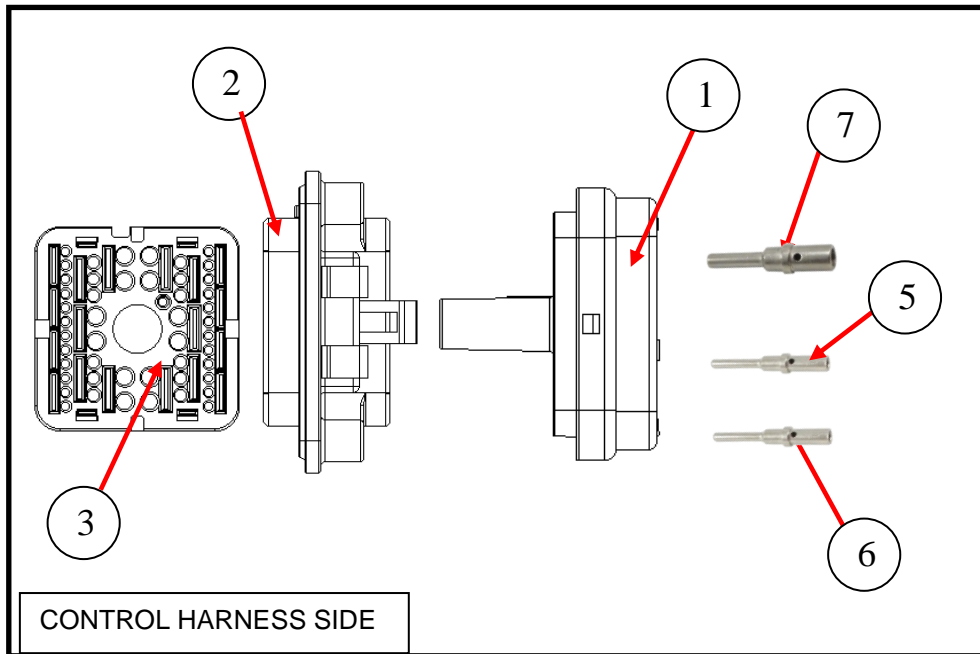
ESTOP, KEY ASSEMBLY, PLUGS



ID #	PART #	PART DESCRIPTION	QUANTITY	
1	89090	EMERGENCY STOP BUTTON HEAVY DUTY	1	ASSY
2	89090-L	ILLUMINATED E-STOP RING	1	ASSY
3	89004	KEY SWITCH SEALED	1	ASSY
4	89107	DEUSCH DT06, 1X6	1	QTY
5	89108	DEUSCH WEDGE LOCK FOR 89107	1	QTY
6	BW10147	DEUSCH CONTACT SOCKET, 16AWG	5	QTY
7	89102	DEUSCH DT06 RECP, 2X2	1	QTY
8	89132	DEUSCH WEDGE FOR 89102	1	QTY
9	BW10147	CONTACT PIN SIZE 16, 13AMP	4	QTY

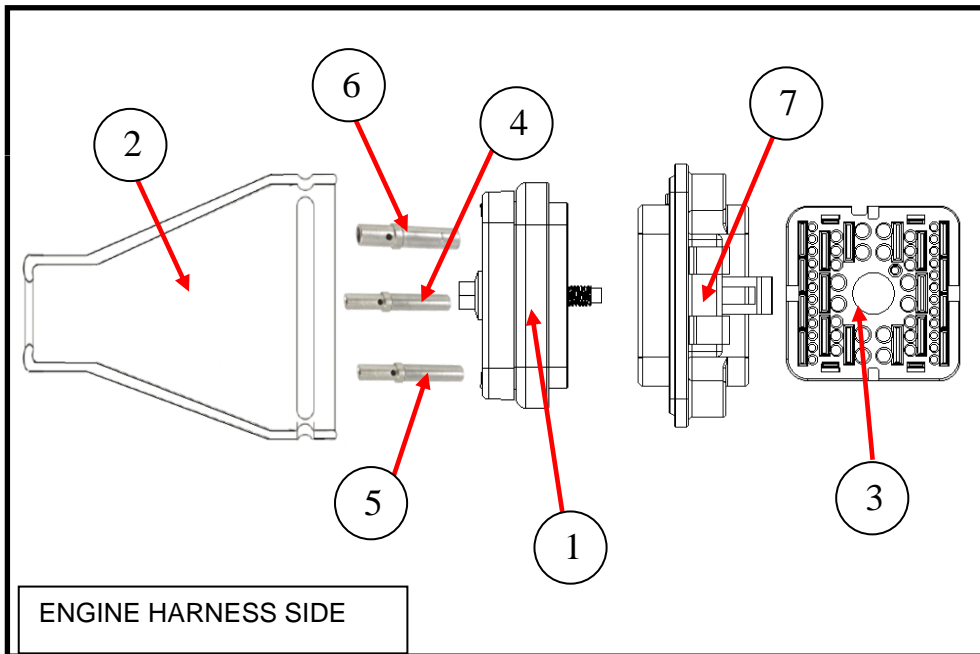
CONNECTORS

DUETSCH 48 MAIN PLUG PANEL SIDE



ID #	PART #	PART DESCRIPTION	QUANTITY	
1	89652	PLUG 48 PIN	1	EA
2	89652-F	FLANGE FOR 89651 PLUG	1	EA
3	89652-W	WEDGE FOR 89652 PLUG	1	EA
5	88958	CONTACT PIN SOLID SIZE 16	12	EA
6	88957	CONTACT PIN SOLID SIZE 20	24	EA
7	87807	CONTACT PIN SOLID SIZE 12	14	EA

DUETSCH 48 MAIN PLUG HARNESS SIDE



ID #	PART #	PART DESCRIPTION	QUANTITY	
1	89651	PLUG, 48 SOCKET HARNESS SIDE	1	EA
2	89651-B	BOOT FOR 89651 PLUG	1	EA
3	89651-W	WEDGE FOR 89651 PLUG	24	EA
4	BW10147	CONTACT SOCKET SIZE-16,13 AMP	12	EA
5	88959	CONTACT SOCKET SIZ 20 7.5 AMP	24	EA
6	87457	CONTACT SOCKET SIZ 12	?	EA
7	89652-F	CONNECTOR FOR 48 PIN PLUG	1	EA

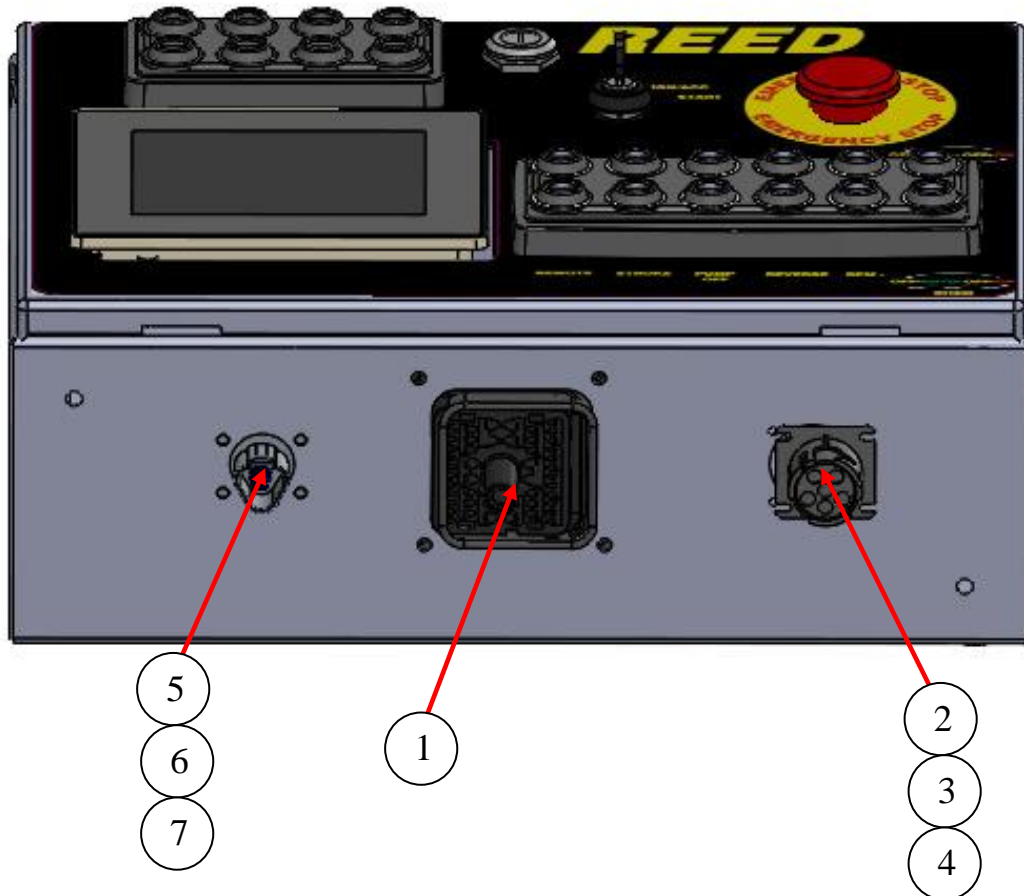


A40HP STAGE-5

PARTS

13822 Oaks Avenue
Chino, CA 91710
reedpumps.com
909-287-2100

CONNECTORS



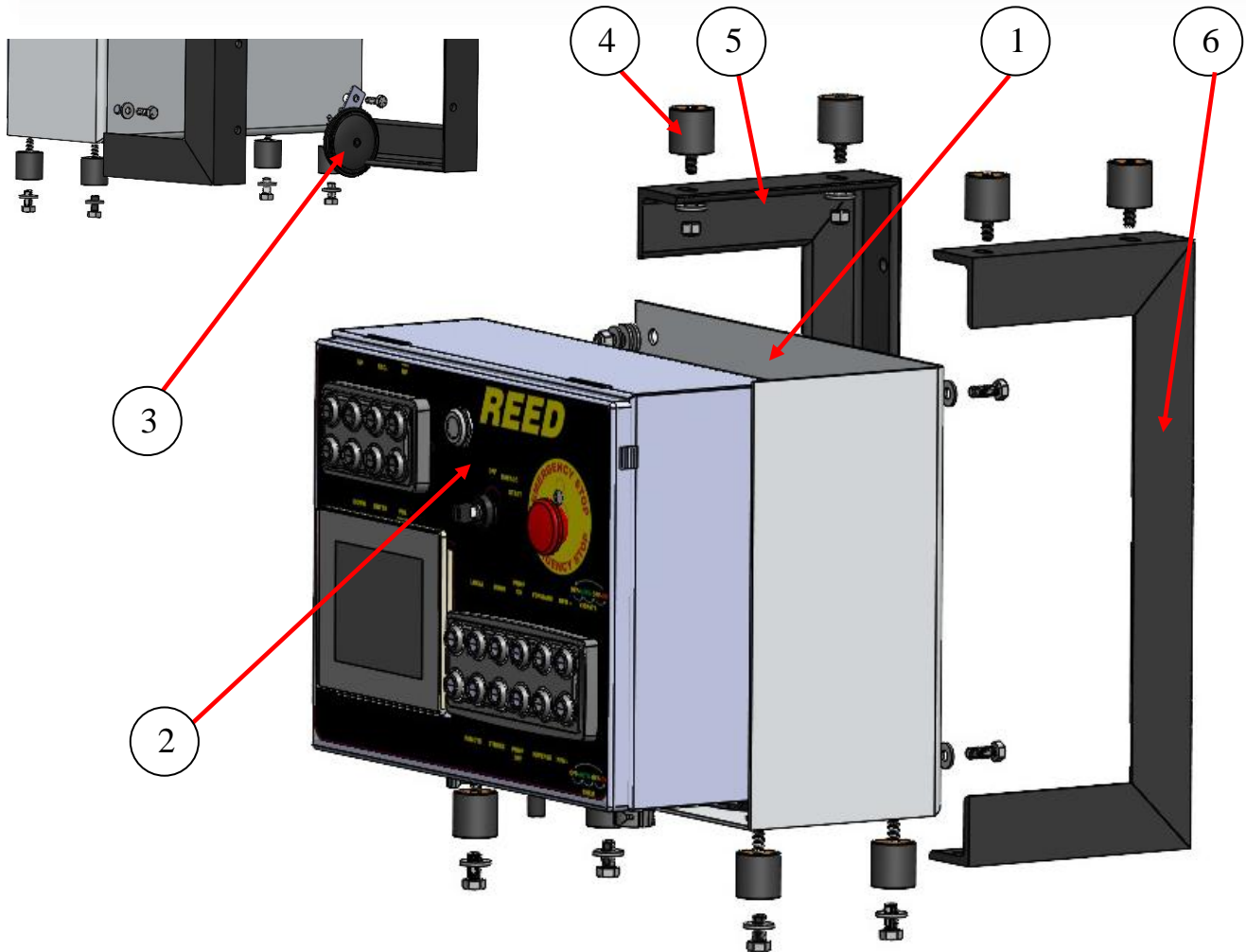
ID #	PART #	PART DESCRIPTION	QUANTITY	
1	89652	PLUG 48 PIN	REF	
2	89223	DEUTSCH HD10 PLUG, FLANGED 6 PIN	1	EA
3	89402	CHAIN SASH LANYARD	1	EA
4	89223-C	CAP FOR 89223	1	EA
5	88932	3 WAY RECEPTACLE FLANGE MOUNT DT SER.	1	EA
6	88938	KEYED WEDGE LOCK FOR 3 WAY RECEPTACLE	1	EA
7	88958	CONTACT PIN SOLID SIZE 16	3	EA



A40HP STAGE-5 PARTS

13822 Oaks Avenue
Chino, CA 91710
reedpumps.com
909-287-2100

CONTROL PANEL MOUNT, BRACKET



ID #	PART #	PART DESCRIPTION	QUANTITY	
1	BW10548	CONTROL BOX ASSY SUPPORT BRACKET	1	EA
2	BW10578	CONTROL PANEL ASSEMBLY	REF	
3	80347	HORN, 12 V	1	EA
4	73748	BUMPER, MOUNT	8	EA
5	BW10564	BRACKET WELDMENT (L.H.)	1	EA
6	BW10565	BRACKET WELDMENT (R.H.)	1	EA

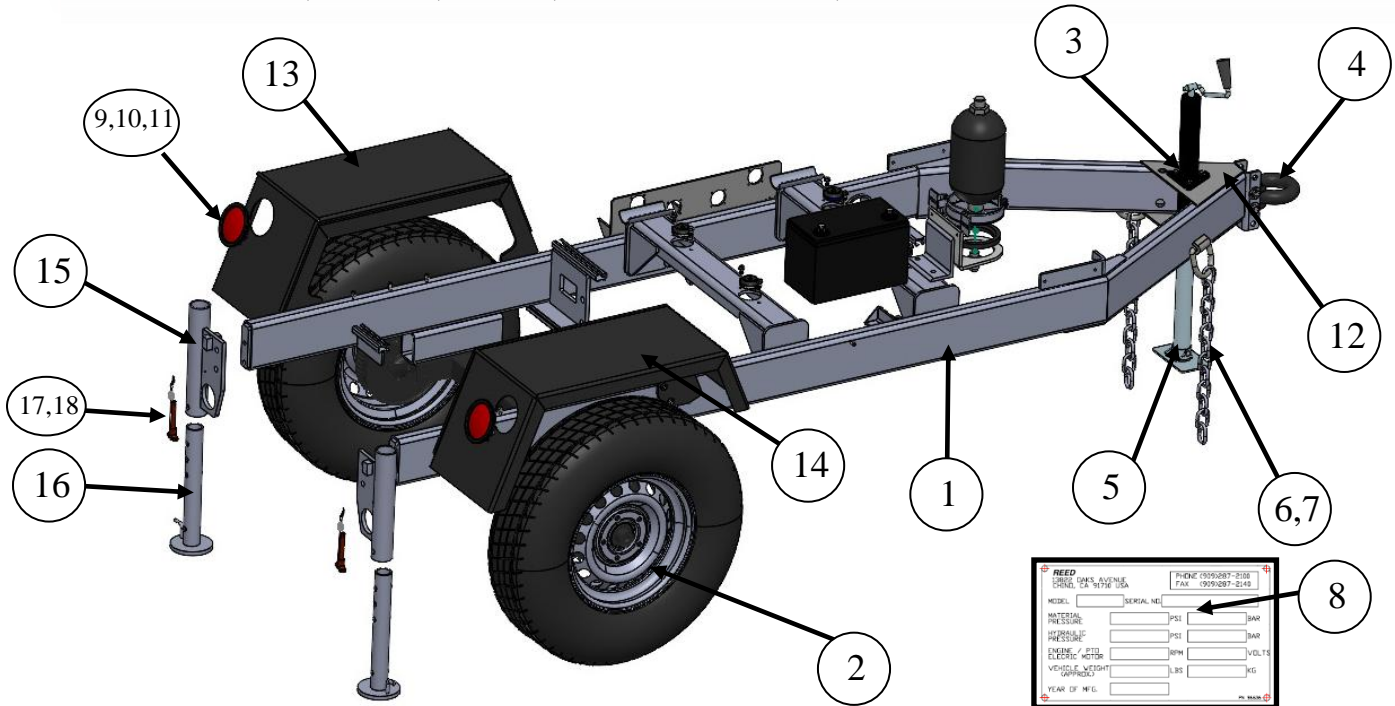


A40HP STAGE-5 PARTS

13822 Oaks Avenue
Chino, CA 91710
reedpumps.com
909-287-2100

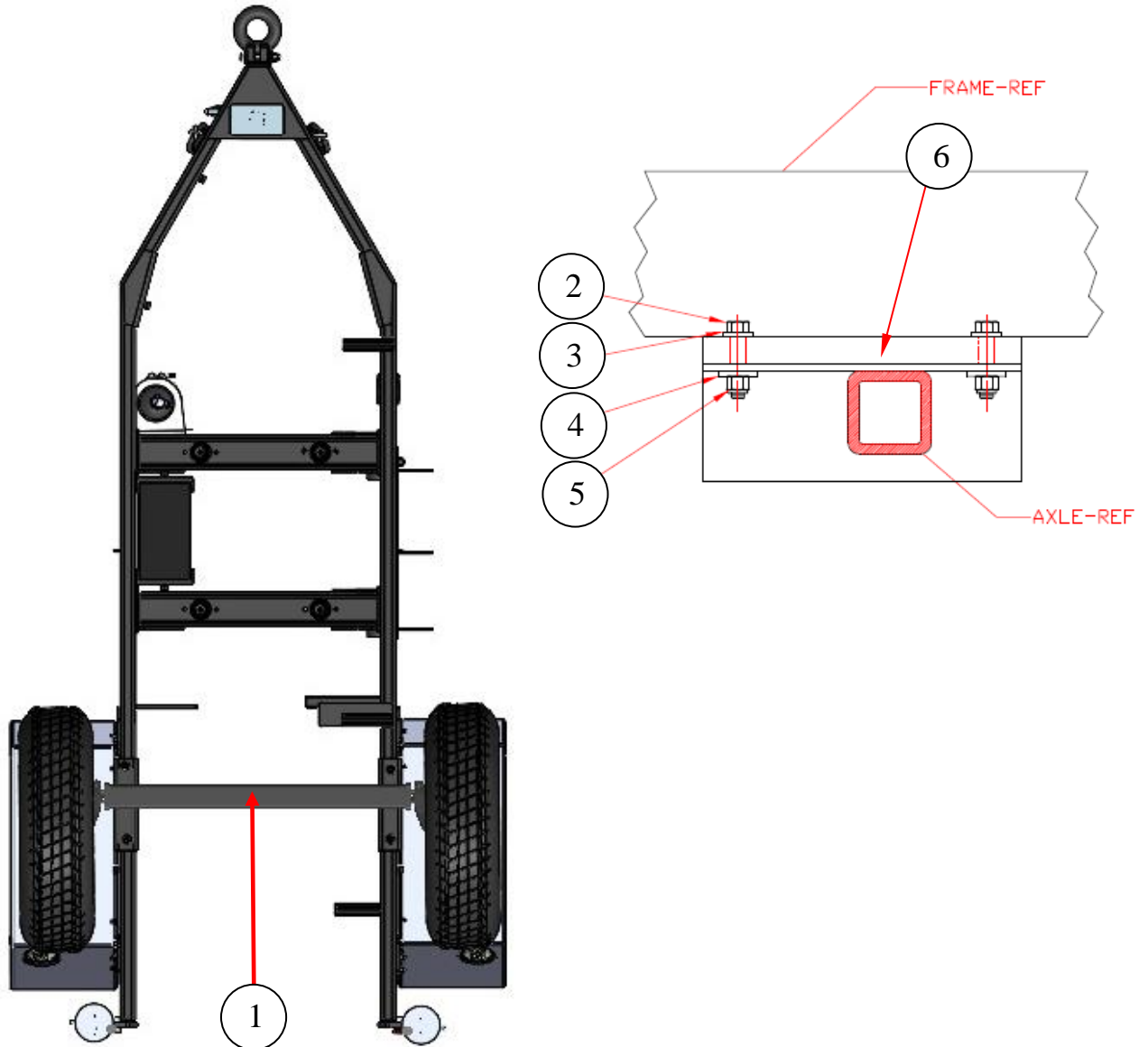
FRAME INSTALLATION

FRAME, TIRES, JACK, AND TOW EYE, FENDER TRAILER LIGHTS



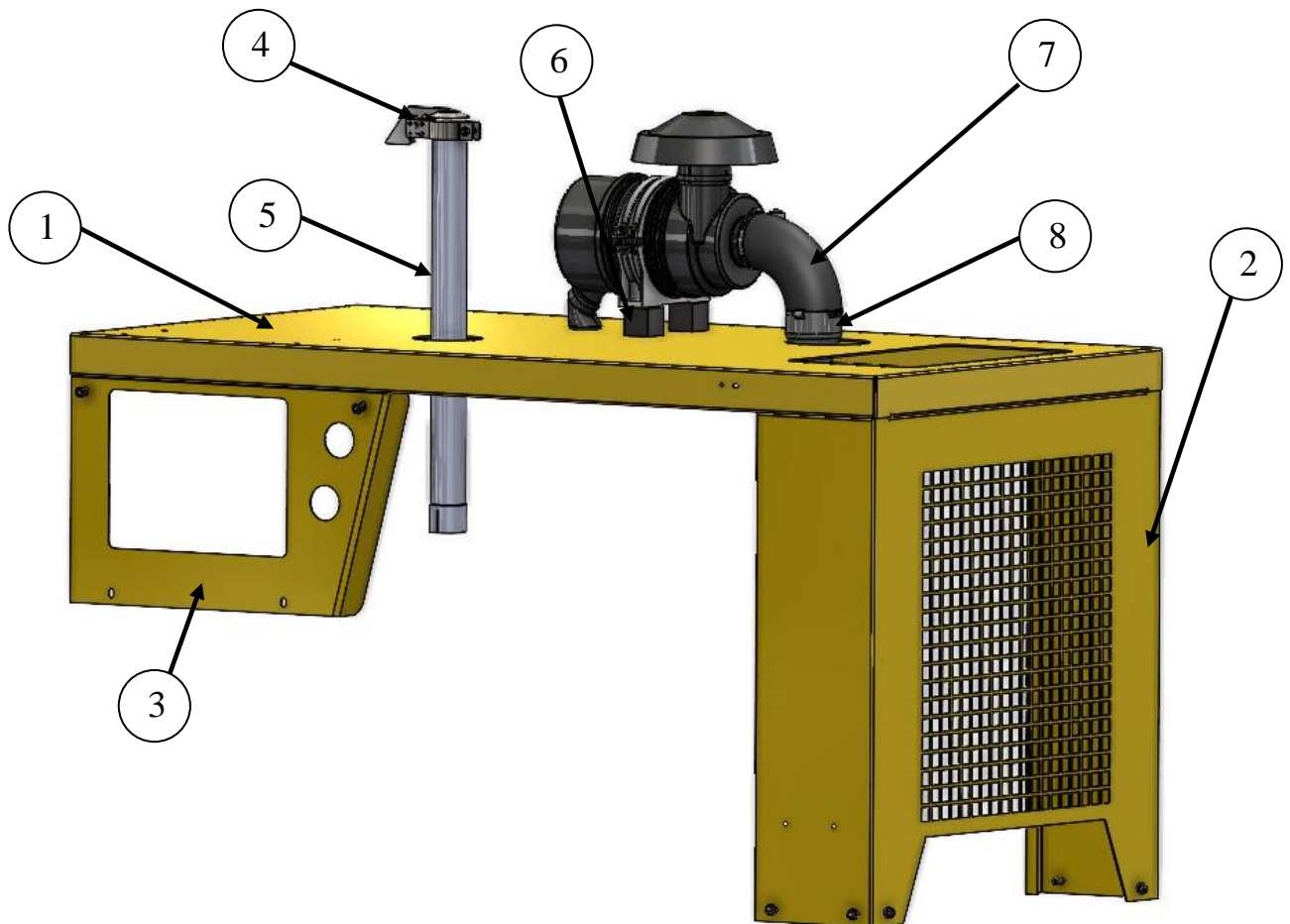
ID #	PART #	PART DESCRIPTION	QUANTITY	
	BW10622	FRAME ASSY A-SERIES STG5 PERKINS 7K AXLE	1	EA
1	BW10612	FRAME WELDMENT A SER TIER-4 PERKINS	1	EA
2	85423	TIRE & WHEEL ASSY	2	EA
3	BW10098	JACK FRAME	1	EA
4	71051	EYE-LUNETTE 3"	1	EA
5	BW10169	JACK, FOOT	1	EA
6	86242	CHAIN-3/8 PROOF COIL GR 30 ZINC	6	FT
7	86243	CONNECTOR - 3/8 CHAIN TREADED	2	EA
8	86636	SERIAL NUMBER PLATE (BLANK)	1	EA
9	72948	TAILLIGHT R3000 SERIES	2	EA
10	85981	LOOM CLAMP 5/8"	2	EA
11	86759	GROMMET	2	EA
12	77705	BREAK-AWAY KIT	1	EA
13	85393	FENDER, LH, B-SERIES	1	EA
14	85392	FENDER, RH, B-SERIES	1	EA
15	BW10110	OUTRIGGER INNER LEG	2	EA
16	BW10114	OUTER TUBE, OUTRIGGER	2	EA
17	85595	PIN, Q/R, 5/8 DIA X 3 1/2 L	2	EA
18	800418	LANYARD, Q/R PIN	2	EA
REF	BW10348	MANUAL OUTRIGGER (OPTION)	REF	
REF	BW10346	JACK WELDMENT, OP SIDE	1	EA
REF	BW10347	JACK WELDMENT, NON OP SIDE	1	EA

7000LB AXLE MOUNTING ASSEMBLY



ID #	PART #	PART DESCRIPTION	QUANTITY	
1	89030	AXLE, TORSTION, 7000 LB, 8 ON 6.5 B-SER	1	EA
2		BOLT, 1/2"-20X3", GRADE 8	4	EA
3	80054	WASHER -SAE 1/2"	8	EA
4	80044	WASHER, 1/2" USS HARDENED EXTRA THICK	4	EA
5	80075	NUT NYLOCK 1/2"-13 COARSE	4	EA
6	BW10450	FLAT AXLE MOUNT SPACER	2	EA

HOOD AND COVERS



ID #	PART #	PART DESCRIPTION	QUANTITY	
1	BW10613	COVER TOP, A SERIES, T4F, PAINTED	1	EA
2	BW10518	COVER FRONT WELD, A SERIES, T4F, PAINTED	1	EA
3	BW10549	COVER, CONTROL PANEL	1	EA
4	70849	RAIN CAP 2.5"	1	EA
5	BW10541-C	CUT, ALUMINUM 3.50" OD	1	EA
6	W-114850	RUBBER BUFFER, 65X22.5X26	2	EA
7	BW10540	RUBBER ELBOW 90 DEG. 3.50"	1	EA
8	74461	CLAMP	2	EA

HYDRAULIC GAUGES



ID #	PART #	PART DESCRIPTION	QUANTITY	
1	78594	MINICHECK GAUGE ADAPTER, 1/4" NPT	2	EA
2	74562	PRESSURE GAUGE, 6000 PSI/BAR	1	EA
3	70366	PRESSURE GAUGE, 3000 PSI/BAR	1	EA
4	BW10318-1	MINICHECK HOSE, 90° 120"	2	EA



A40HP STAGE-5 PARTS

13822 Oaks Avenue
Chino, CA 91710
reedpumps.com
909-287-2100

AVAILABLE OPTIONS

OUTRIGGER GROUP
HYD OUTRIGGER
OUTRIGGER/AGITATOR
ELECTRIC OUTRIGGER



AGITATOR GROUP
STD/PADDLE
OPTION/PADDLE
HYD/AGITATOR/SINGLE
HYD/AGITATOR/TRIPLE



RADIO REMOTE



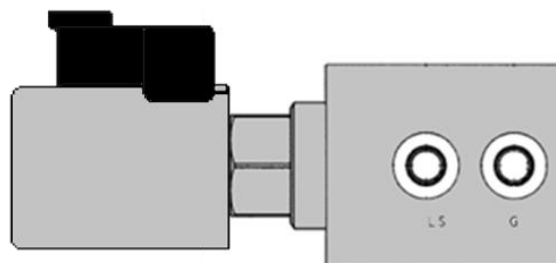
AARCOMM 2-WAY
RADIO W/STROKE
COUNTER AND
VOLUME INDICATOR
(IF EQUIPPED)

50' CABLE REMOTE,
100' CABLE REMOTE
AVAILABLE



ELECTRIC PWM VOLUME CONTROL

RADIO CONTROL OF
VOLUME
(IF EQUIPPED)





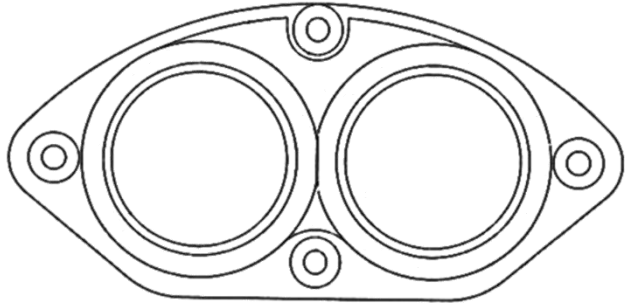
A40HP STAGE-5

PARTS

13822 Oaks Avenue
Chino, CA 91710
reedpumps.com
909-287-2100

AVAILABLE OPTIONS

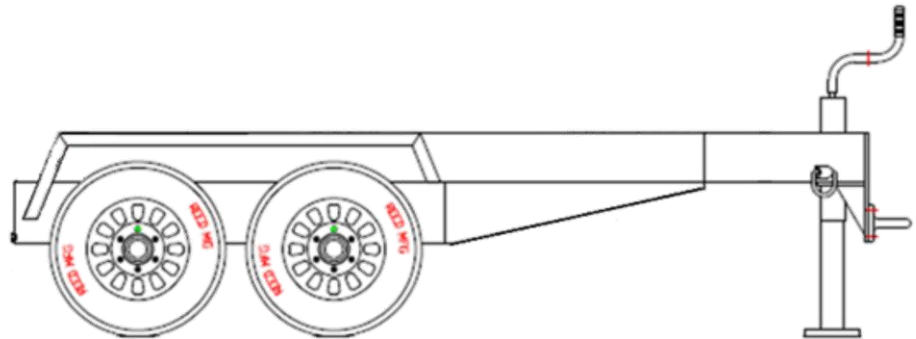
CARBIDE WEAR PARTS
WEAR RING/CARBIDE
WEAR PLATE/CARBIDE



VIBRATOR KIT
OL



DUAL AXLE

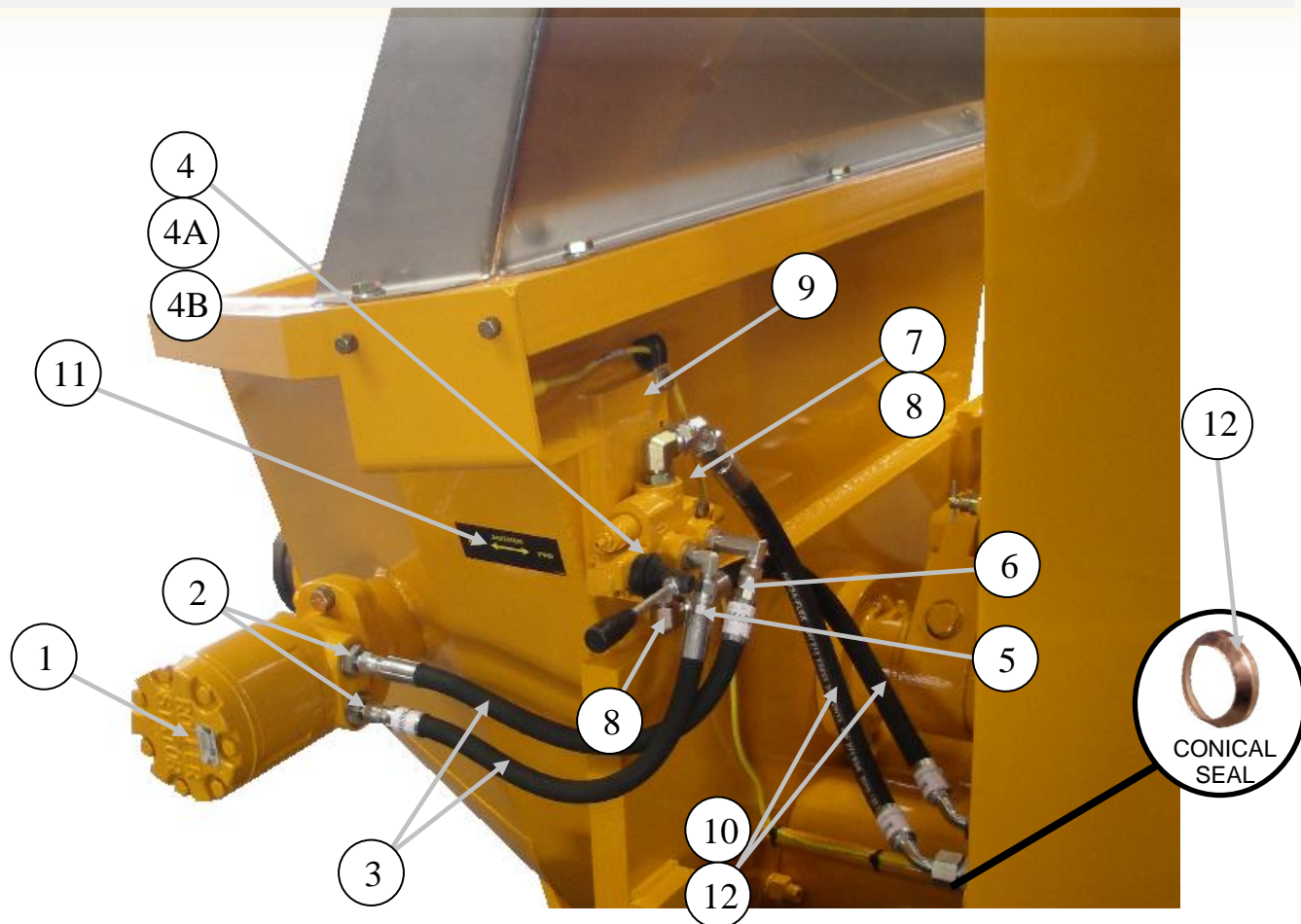


AUTO LUBE
STEEL TUBING 12 PORT
PLASTIC TUBING 12 PORT

MANUAL LUBE BLOCK

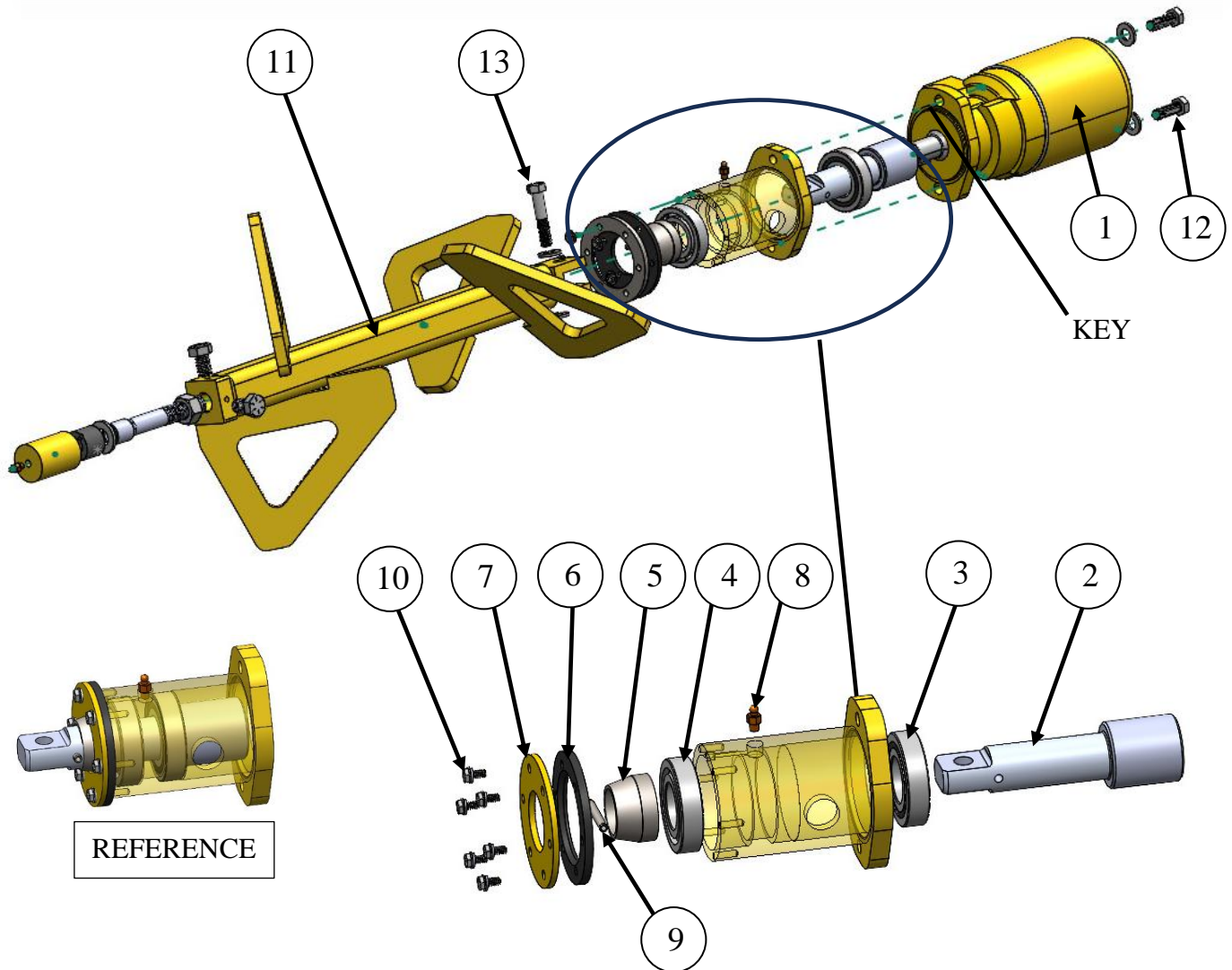


AGITATOR GROUP



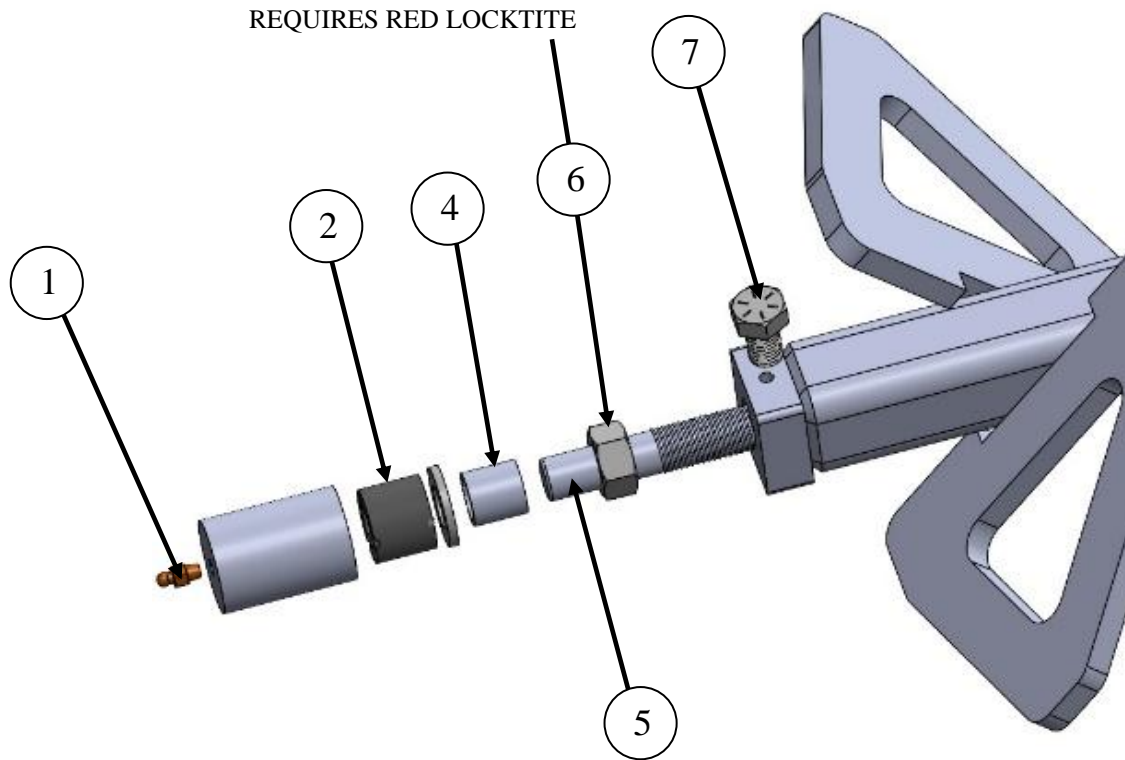
ID #	PART #	PART DESCRIPTION	QUANTITY	
	BW10396-2	AGITATOR ASSEMBLY, A40 (PARKER)		EA
1	89455	HYD MOTOR, 48 CID, 1" SHAFT-PAINTED	1	EA
2	81002	FITTING-MB-MJ-8-10	2	EA
3	85658-002	HOSE, 6M2T-6FJX-6FJX-17.00	2	EA
4	74584	VALVE 1 SPOOL, MANUAL PAINTED	1	EA
4A	89494	VALVE 1 SPOOL, MANUAL W/RELIEF (OPTION)	1	EA
4B	87154	VALVE, 2P-2W, NO, 12V,DIN (ELECTRIC OPTION)	1	EA
5	86748	FITTING-MB-MJ90-6-6	1	EA
6	86747	FITTING-MB-MJ90LL-6-6	1	EA
7	86749	FITTING-MJ-FJX45-10-10	1	EA
8	86746	FITTING-MB-MJ90-8-10	2	EA
9	800897	CLAMP, 3/4" TUBE, SINGLE	1	EA
10	85657-016	HOSE, 8M2T-10FJX-10FJX45-20.00	2	EA
11	85846	DECAL, ADGITATOR	1	EA
12	BW10229	CONICAL SEAL, SIZE 12	4	EA
13	85657-001	HOSE, 8M2T-10FJX-10FJX90S-26.00	2	EA
14	BW10407	TUBE HYD. AGITATOR PRESSURE (UNDER TANK)	1	EA

AGITATOR ASSEMBLY



ID#	PART #	PART DESCRIPTION	QUANTITY	
1	89455	HYDRAULIC MOTOR 48CID, 1"	1	EA
2	85923	IDLER-SHAFT	1	EA
3	85979	BEARING, BALL, SEALED	1	EA
4	85978	BEARING, BALL, NON-SEALED	1	EA
5	85976	WEAR RING	1	EA
6	70212	SEAL REMIXER	1	EA
7	70211	FLANGE SEAL	1	EA
8		NPT GREASE FITTING	2	EA
9	86758	SPRING PIN	1	EA
10		¼"-20X.75 BOLT/FLAT WASHER	6	EA
11	89948	AGITATOR PADDLE	1	EA
12		½"-13X.50 BOLT/FLAT WASHER	2	EA
13		½"-13X2.50, PADDLE HARDWARE	1	EA

AGITATOR ASSEMBLY



ID #	PART #	PART DESCRIPTION	QUANTITY	
1		GREASE FITTING, 1/8" NPT STRAITGHT	1	EA
2	70219	REMIX SHAFT BUSHING	1	EA
3	77877	SPACER, REMIX	1	EA
4	86824	FLAT WASHER, 3/4" SAE	1	EA
5	70214	IDLER SHAFT, AGITATOR	1	EA
6	80030	JAM NUT-M20X2.5 PLATED	1	EA
7		JAM BOLT, 5/8"X1.00	1	EA




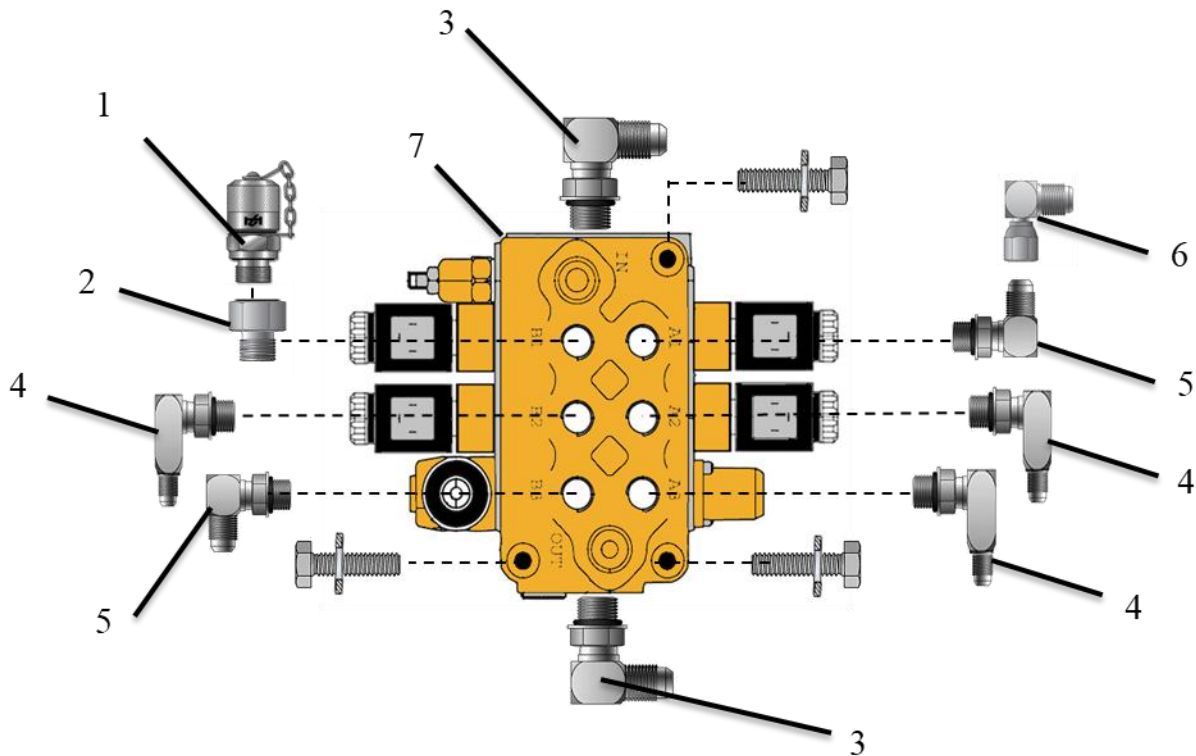
A40HP STAGE-5

PARTS

13822 Oaks Avenue
Chino, CA 91710
reedpumps.com
909-287-2100

OUTRIGGER/AGITATOR ASSEMBLY

HARDWARE
(3) 3/8"-16X2 1/2" bolt
(3) 3/8" lock washers

ID #	PART #	PART DESCRIPTION	QUANTITY	
1	800083	MINICHECK ADAPTER, SAE 6	1	EA
2	86750	ADAPTER, MB-FB-8-6	1	EA
3	86746	FITTING, 90° MB-MJ-90-8-10	2	EA
4	86747	MB-MJ90LL-6-6	3	EA
5	86748	MB-MJ90-6-6	2	EA
6	86905-002	MJ-FJX910-6-6	1	EA
7	88026	VALVE. 3 SPOOL 12VDC	1	

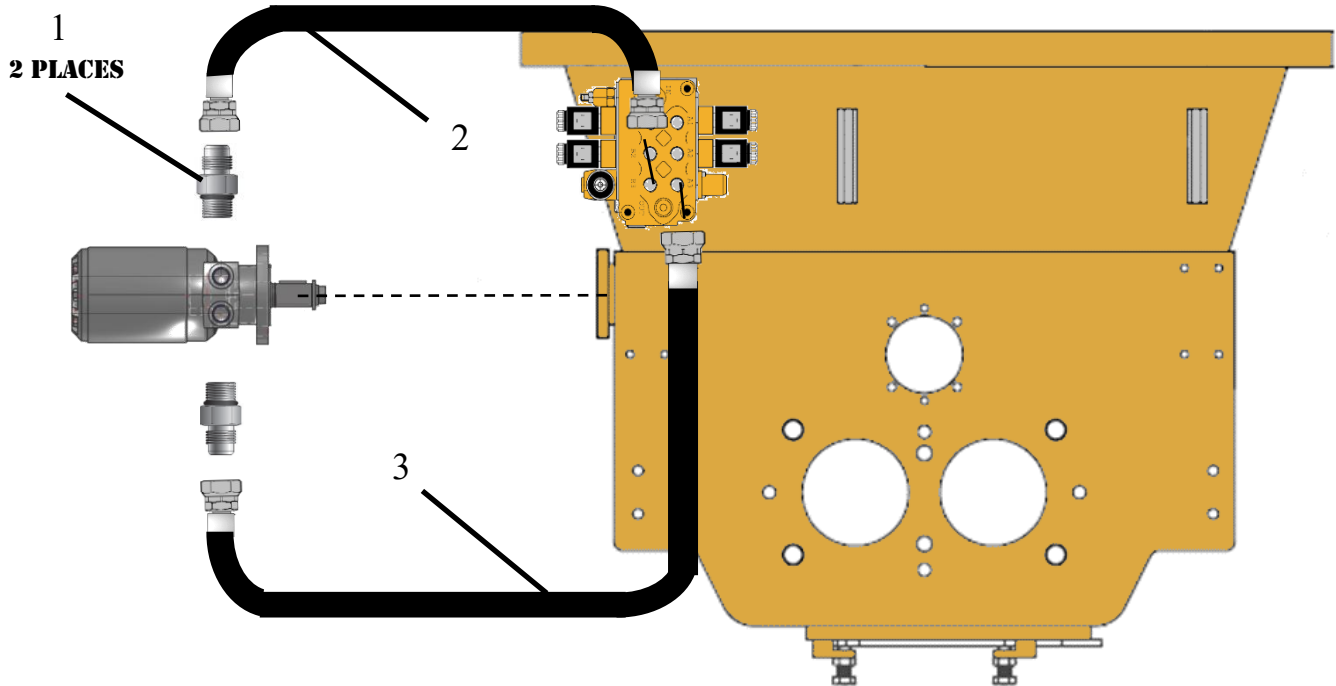


A40HP STAGE-5

PARTS

13822 Oaks Avenue
Chino, CA 91710
reedpumps.com
909-287-2100

OUTRIGGER/AGITATOR ASSEMBLY



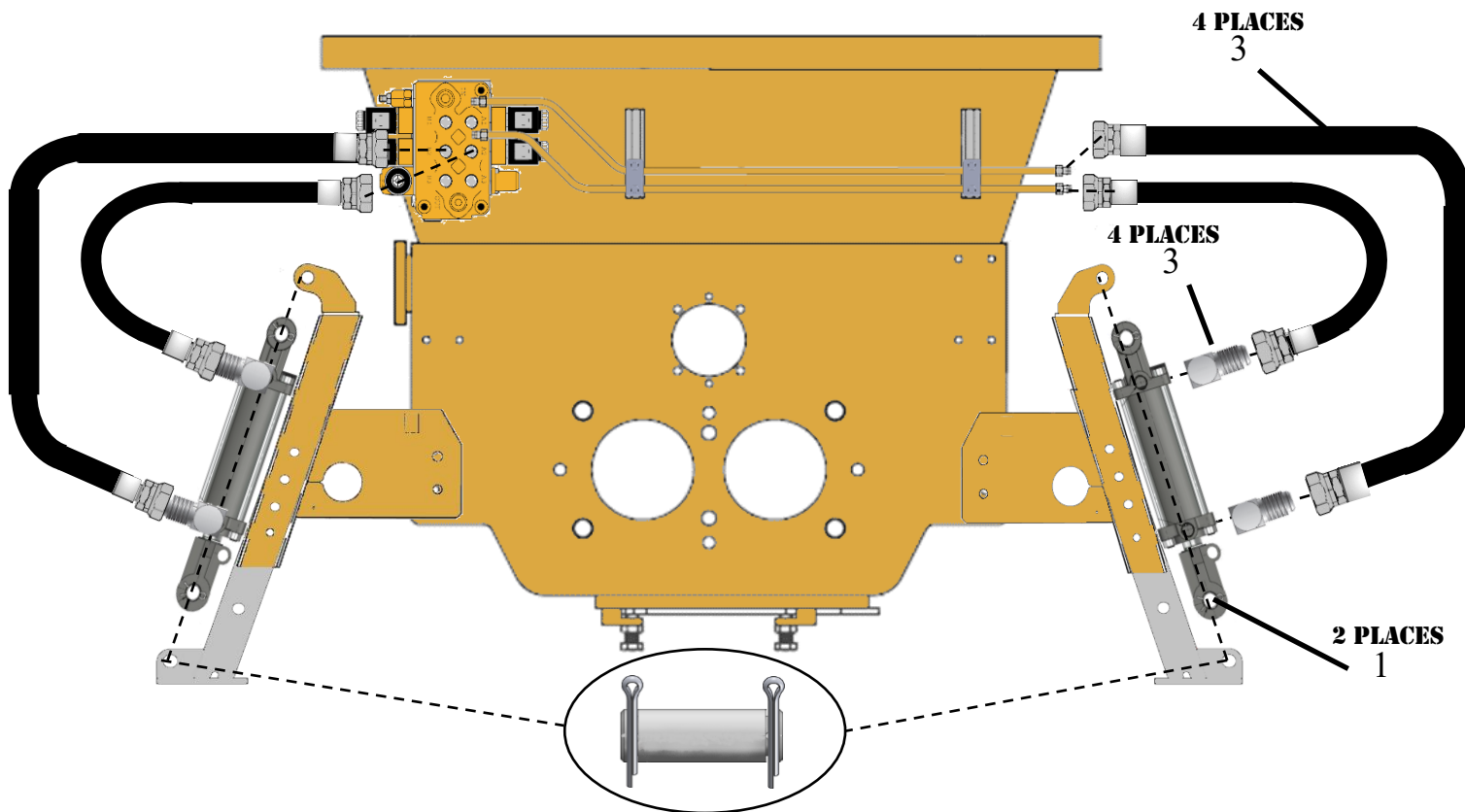
ID#	PART #	PART DESCRIPTION	QUANTITY	
1	86900-018	MB-MJ-10-6	2	EA
2	85658-010	HOSE, 6M2T-6FJX-6FJX-20.00	1	EA
3	85658-011	HOSE, 6M2T-6FJX-6FJX-21.00	1	EA



A40HP STAGE-5 PARTS

13822 Oaks Avenue
Chino, CA 91710
reedpumps.com
909-287-2100

OUTRIGGER/AGITATOR ASSEMBLY



4 PLACES PINS SUPPLIED WITH OUTRIGGER

ID#	PART #	PART DESCRIPTION	QUANTITY	
1	86574	HYD OUTRIGGER CYL- 2.00X12.00	2	EA
2	86728-008	ELBOW MB-MJ90-8-6	4	EA
3	85659-010	HOSE, 4M2T-6FJX-6FJX-33.00	4	EA