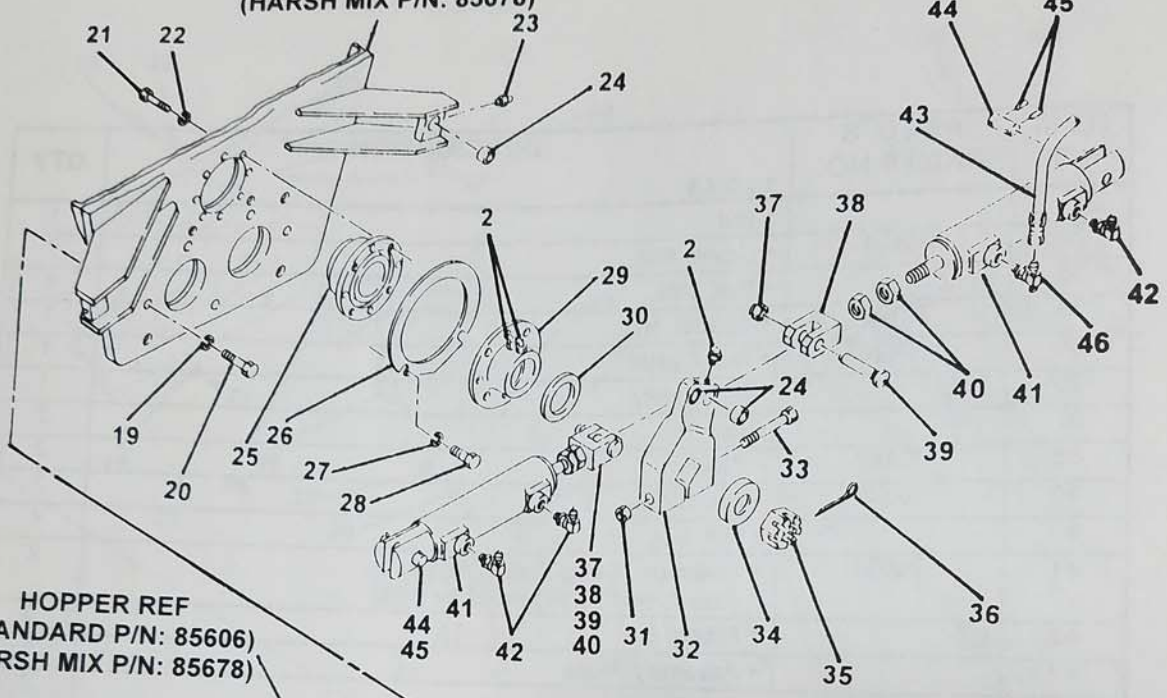




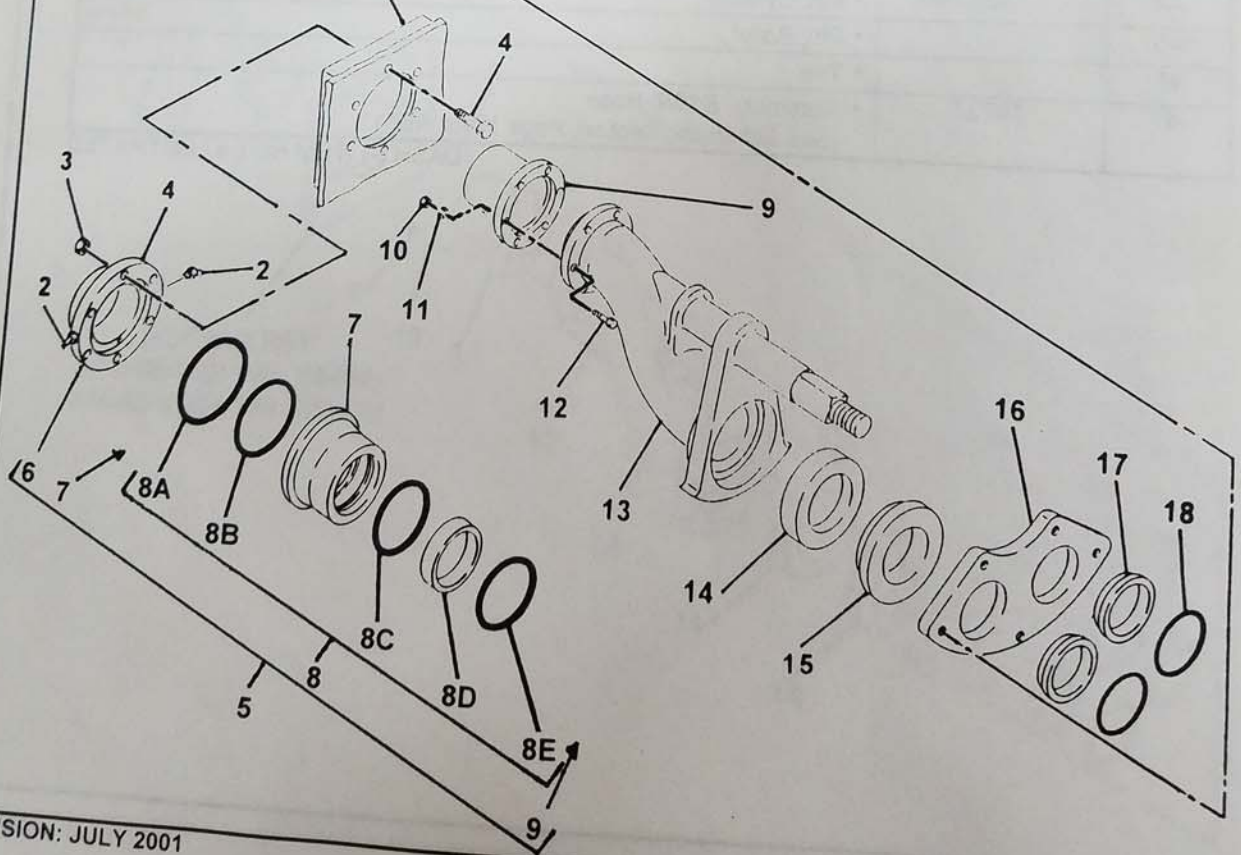
# 3 INCH OUTLET SWING VALVE ASSEMBLY (AFTER AUGUST 2001)

GROUP 60  
FIGURE 02B  
PAGE 01

HOPPER REF  
(STANDARD P/N: 85606)  
(HARSH MIX P/N: 85678)



HOPPER REF  
(STANDARD P/N: 85606)  
(HARSH MIX P/N: 85678)



VISION: JULY 2001

**REED**

### 3 INCH OUTLET SWING VAVE ASSEMBLY (AFTER AUGUST 2001)

**B10R**  
**PARTS**  
GROUP 60  
FIGURE 02B  
PAGE 02

ITEM NO.	REED'S PARTS NO.	DESCRIPTION					QTY
		1	2	3	4	5	
-1	60-02B	Assembly, 3 Inch Outlet Swing Valve (After August 2001) (See Group 60, Figure 01 for NHA)					Ref
2		• Fitting, Grease					5
3		• Nut					6
2		• Fitting, Grease					5
3		• Nut					6
4		• Bolt, Hex					6
5	86616	• Kit, 3 Inch Outlet Kit					1
6	86375	• • Outlet, 3 Inch Chrome Flange					1
7	86374	• • Housing, 3 Inch Outlet Seal					1
8	86622	• • Kit, 3 Inch Outlet Seal					1
8A	86370	• • • O-Ring, Large					1
8B	86369	• • • O-Ring, Small					1
8C	86615	• • • Seal, Modified Outlet Thick Lip					1
8D	86380	• • • Band, Guide					1
8E	86379	• • • Seal, Outlet Thick Lip					1
9	86373	• • Outlet, 3 Inch Chromed					1
10		• Nut, Nylock					6
11		• Washer, Lock					6
12		• Bolt, Hex					6
13	79641	• Weldment, 3 Inch To 3 Inch Swing Tube					1
14	76963	• Seal, 3 Inch Double Lip					1
15	76964	• Ring, Hard Face 3 Inch Double Lip Wear					1
16	76968	• Plate, 3 Inch Wear					1
17	76962	• Ring, 3 Inch Anti Chip					2
18	71247	• O-Ring					2
19		• Washer, Lock					5
20		• Bolt, Hex					5
21		• Bolt, Hex					4
22		• Washer, Lock					4
23		• Fitting, Grease STR					2
24	71011	• Race, Inner					4
25	73564	• Seal Flange Bearing					1
26	71384	• Ring, Locator					1
27	77948	• Washer, Lock					2
28	77949	• Bolt, Hex					2
29	70124	• Bearing, Flange					1
30	70141	• Washer, Thrust					1
31		• Nut					1
32	85604	• Crank, Bell					4
33		• Bolt, Hex					

DASH (-) ITEM NOT ILLUSTRATED

REVISION: JULY 2001



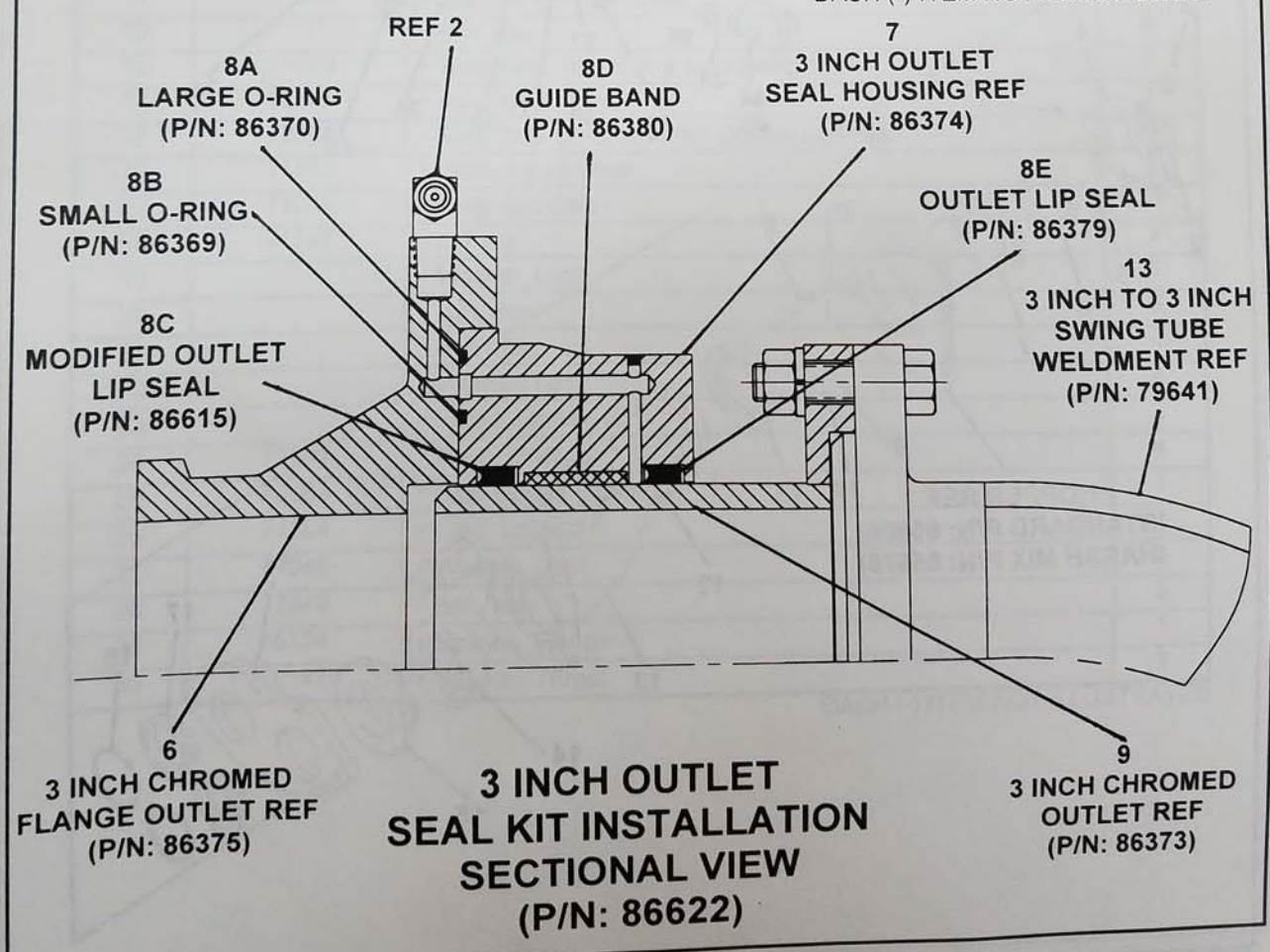


## 3 INCH OUTLET SWING VAVE ASSEMBLY (AFTER AUGUST 2001)

**B10R**  
**PARTS**  
GROUP 60  
FIGURE 02B  
PAGE 04

ITEM NO.	REED'S PARTS NO.	DESCRIPTION					QTY
		1	2	3	4	5	
34	70125	• Spacer, Nut					1
35	70825	• Nut, Castle					1
36		• Pin, Safety					1
37		• Nut					2
38	70143	• Clevis					2
39	70142	• Pin, Clevis					2
40		• Nut, Hex					4
41	75087	• Assembly, Swing Ram Cylinder (See Group 60, Figure 03 for DET)					2
42		• Fitting, 90					3
43		• Assembly, Hose					1
44	74207	• Pin, Cylinder					2
45		• Pin, Roller					4
46		• Tee					1
-47	79727	• Assembly, <b>B10R</b> Hose (See Schematic Section, Page 17 for REF)					1

DASH (-) ITEM NOT ILLUSTRATED



REVISION: JULY 2001