



C50SCRV03

PARTS

13822 Oaks Avenue
Chino, CA 91710
reedpumps.com
(909) 287 - 2100

PARTS.....	3
PUMPING TRAIN ASSEMBLY	3
S-TUBE	5
5" OUTLET ASSEMBLY	5
5" OUTLET SEAL KIT INSTALLATION.....	6
CARBIDE WEAR PLATE ASSEMBLY	7
6" PISTON CUP ASSEMBLY	8
DRIVE CYLINDER ASSEMBLY	9
DUAL SHIFT BELL CRANK ASSEMBLY.....	10
DUAL SHIFT CYLINDER ASSEMBLY	11
DUAL SHIFT ASSEMBLY	12
HOPPER.....	13
AGITATOR ASSEMBLY.....	13
SAFETY GRATE	15
GRATE ASSEMBLY	16
CLEAN OUT DOOR ASSEMBLY	17
POWER TRAIN.....	18
ENGINE, PUMPS, AND FILTERS.....	18
MAIN HYDRALIC PUMP 125cc	19
REXROTHMAIN HYDRALIC PUMP 125cc	19
EXHAUST	31
TANKS	32
FUEL TANK ASSEMBLY	32
HYDRAULIC TANK ASSEMBLY	34
S-TUBE CIRCUIT MANIFOLD ASSEMBLY	37
S-TUBE MANIFOLD PORTING.....	39
ACCUMULATOR ASSEMBLY	40
ELECTRICAL GROUP	41
BATTERY.....	41
PROXIMITY SWITCHES.....	42
TRAILER HARNESS AND BREAKAWAY	43
TAIL LIGHTS, FENDERS.....	44
WIRING HARNESS.....	45
CONTROLS	46
B/C-SERIES CONTROL BOX.....	46
CONTACT BLOCKS	47
RELAYS AND FUSES.....	47
LOGIC CIRCUIT CONTROL BOARD	49
CONNECTORS	50
50 FT CABLE REMOTE.....	51
FRAME INSTALLATION.....	52



C50SCRV03

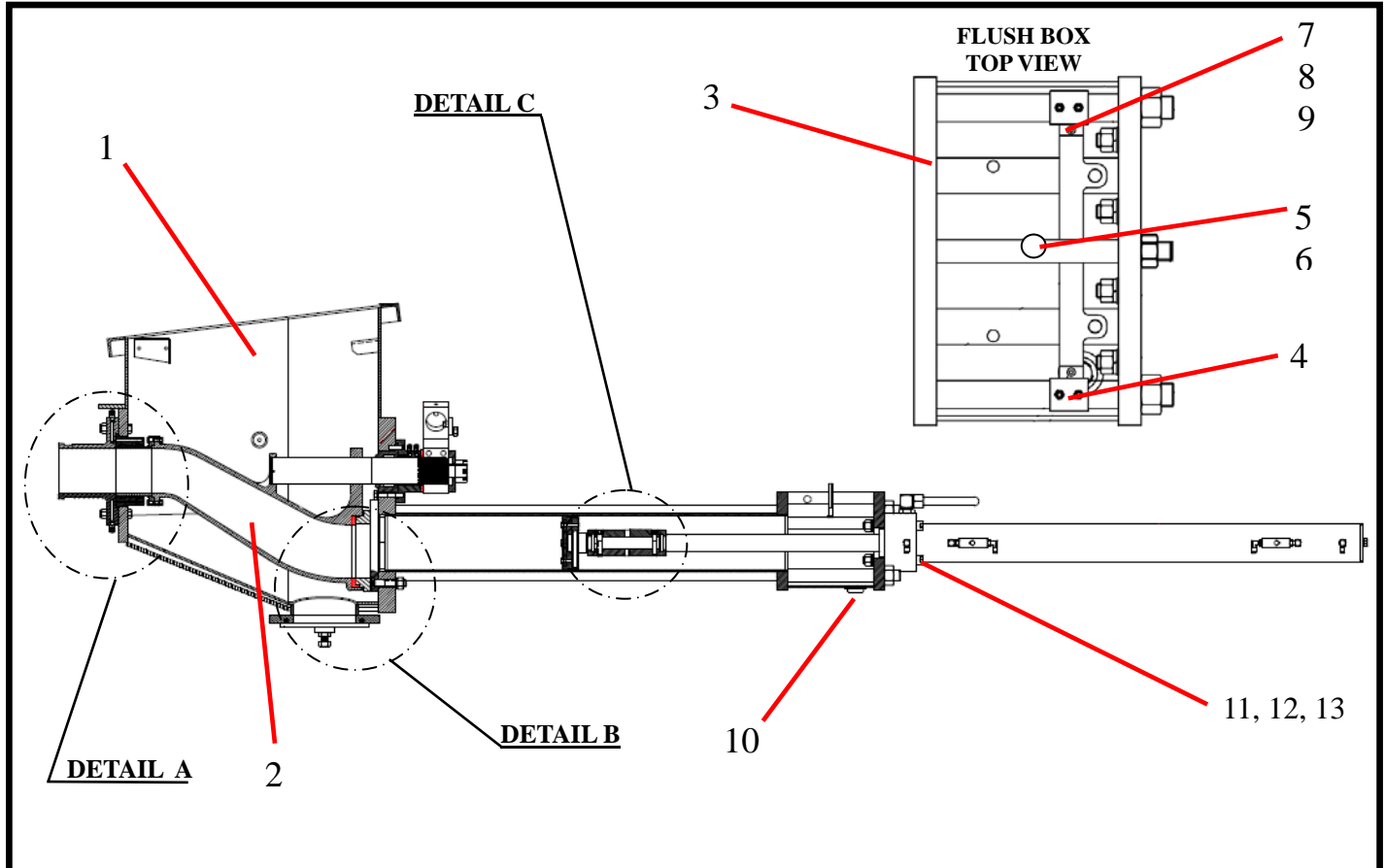
PARTS

13822 Oaks Avenue
Chino, CA 91710
reedpumps.com
(909) 287 - 2100

FRAME, TIRES, JACK, AND TOW EYE	52
7000LB AXLE MOUNTING ASSEMBLY	53
HOOD AND COVERS	54
GAUGES	55
CONTROL BOX MOUNT	55
HYDRAULIC OUTRIGGER GROUP	57
ELECTRIC HYDRAULIC OUTRIGGER	57
ELECTRIC HYDRAULIC OUTRIGGER CONTROLS	58
AGITATOR GROUP	59
OPTIONS	62
LUBE BLOCK	62
AUTOLUBE PUMP (PLASTIC TUBING)	63
AUTOLUBE GREASE VALVE LINE DIAGRAM	65
AUTOLUBE WIRING DIAGRAM	66
COUGAR VIBRATOR	67
VIBCO VIBRATOR	68
RADIO REMOTE KIT (OMNEX)	69
CHROME WHEEL AND TIRE	70
50 FT STROKE COUNTER CABLE REMOTE ASSEMBLY	71
HYDRAULIC SURGE BRAKES	72
HYDRAULIC SURGE BRAKES (3 INCH EYE)	73
LIFTING EYE KIT	74
WATER PUMP	75

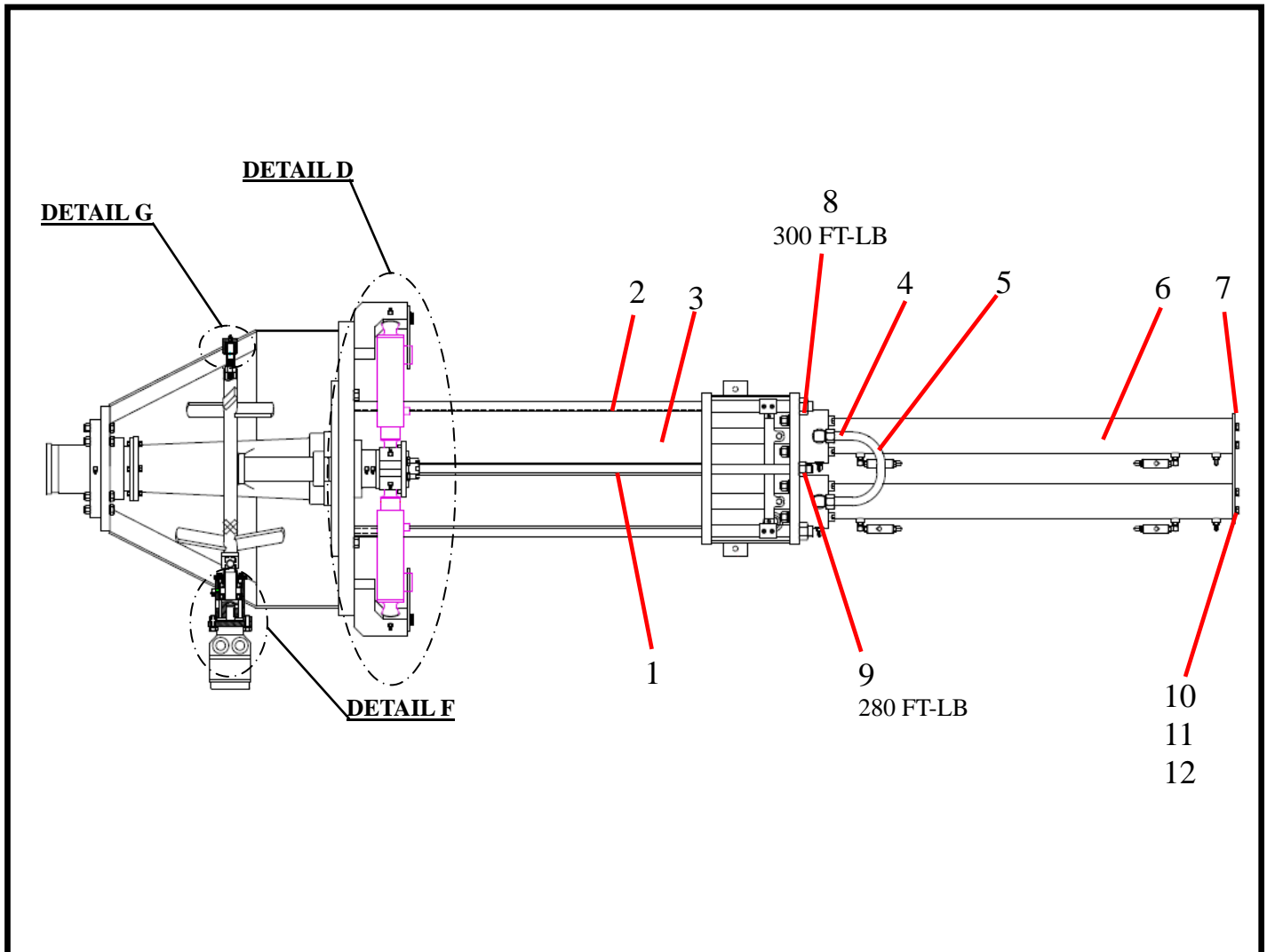
PARTS

PUMPING TRAIN ASSEMBLY



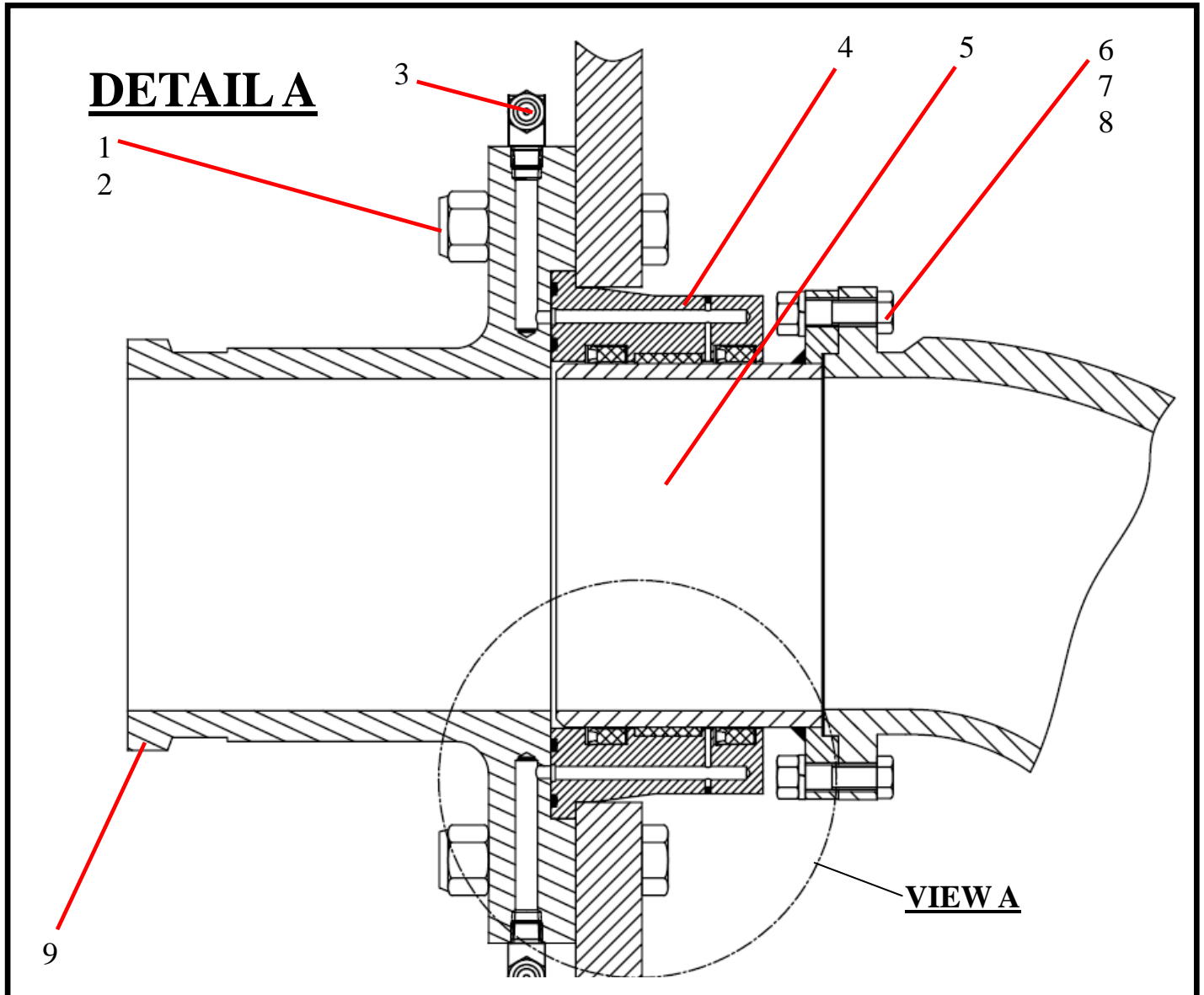
ID #	PART #	PART DESCRIPTION	QUANTITY	REF
	87442C	PUMP CELL ASSY C50S DUAL JARP, SAFETY SWITCH		REF
1	86121A	HOPPER WELDMENT, 6" STD SAFETY SWITCH	1	EA
2	86984	S-TUBE WELD 6X5	1	EA
3	86093	FLUSHBOX WELDMENT, 6 IN	1	EA
4	86006	BRACKET, PROX SWITCH	1	EA
5	86665	STUD, 3/8-16 X 3" LONG	1	EA
6	80072	LOCKWASHER-3/8	1	EA
7	86752	BOLT- 1/4"-20 X 3/4" LONG	6	EA
8		LOCKWASHER 1/4"	2	EA
9		FLAT WASHER 1/4"	2	EA
10	10282	PLUG- PIPE GALV 1"	1	EA
11		SHCS 3/4"-10 X 4 1/2" GR 8	8	EA
12		FLAT WASHER 3/4"	13	EA
13		HEX NUT, 3/4" - 10	12	EA

PUMPING TRAIN ASSEMBLY CONTINUED



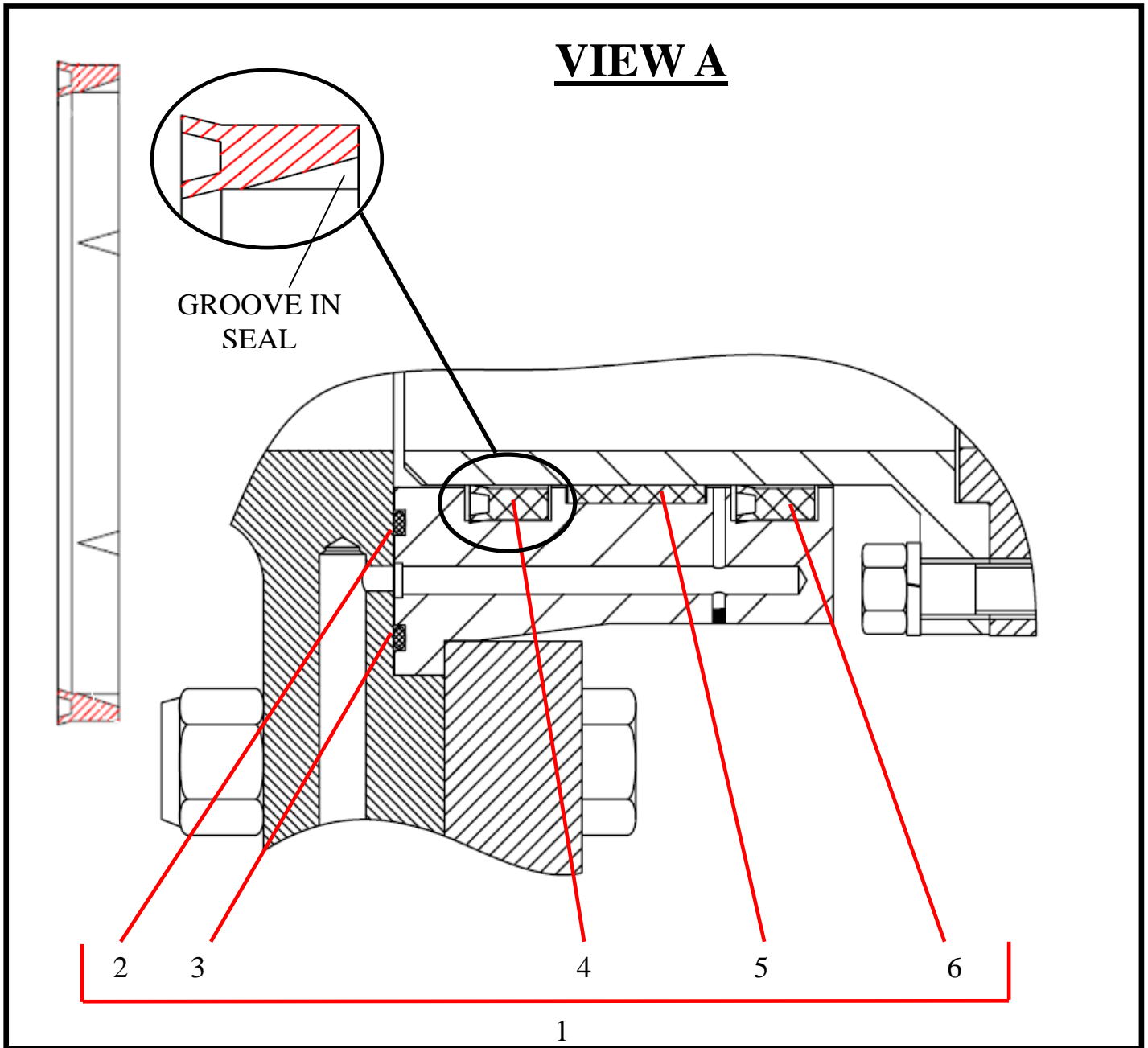
ID #	PART #	PART DESCRIPTION	QUANTITY	
1	86023	TIE ROD, 1" X 57½"	2	EA
2	86022	TIE ROD, 1¼" X 57½"	4	EA
3	86147	CONCRETE CYLINDER, 6 X 42	2	EA
4		ELBOW, MB – MJ-16-16	2	EA
5	85427	TUBE, HYD, LOOP LINE	1	EA
6	86222	DRIVE CYLINDER -3.50 X 2.00 X 41.75	2	EA
7	87554	END PLATE - DRIVE CYLINDER- PAINTED	1	EA
8		HEX, NUT 1 ¼" -12	4	EA
9		HEX NUT, 1" -12	2	EA
10		HHCS, 1/2 -13X1 ¼" GR 8	4	EA
11		WASHER, 1/2	4	EA
12		LOCK WASHER, ½"	6	EA

S-TUBE 5" OUTLET ASSEMBLY



ID #	PART #	PART DESCRIPTION	QUANTITY	
	86321	OUTLET ASSEMBLY	1	EA
1		HHCS, 5/8 – 18X3” ¼ “ GR 8	6	EA
2		LOCK NUT, 5/8 -18	6	EA
3		GREASE FITTING, 1/8” NPT 90°	2	EA
4	72309	OUTLET SEAL HOUSING	1	EA
5	70042	CHROMED OUTLET	1	EA
6		HHCS, 3/8 – 16X1 ½” GR 8	6	EA
7		HEX NUT, 3/8” - 16	6	EA
8		LOCK WASHER, 3/8”	6	EA
9	72482	OUTLET, 5" (1-PIECE)	1	EA

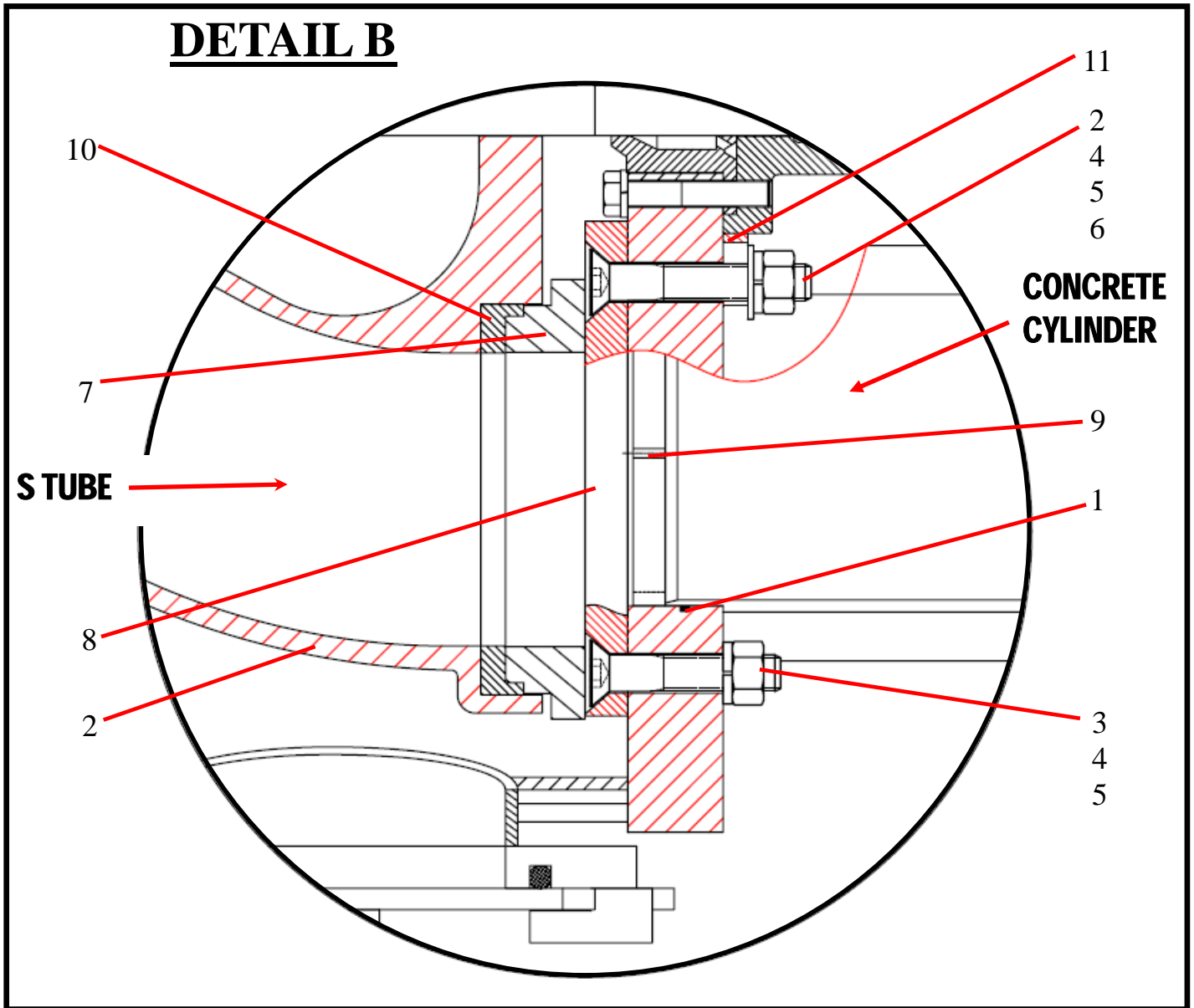
5" OUTLET SEAL KIT INSTALLATION



ID #	PART #	PART DESCRIPTION	QUANTITY	
1	79895	SEAL KIT	1	EA
2	77762	O-RING-#257 BUNA 90	1	EA
3	77761	O-RING-#264 BUNA 90	1	EA
4	86504	SEAL-MODIFIED- 5 IN OUTLET	1	EA
5	77763	GUIDE BAND - 5.75 OD X 1.00W	1	EA
6	77765	LIP SEAL-5.50 ID X 6.00 OD X .56 D	1	EA

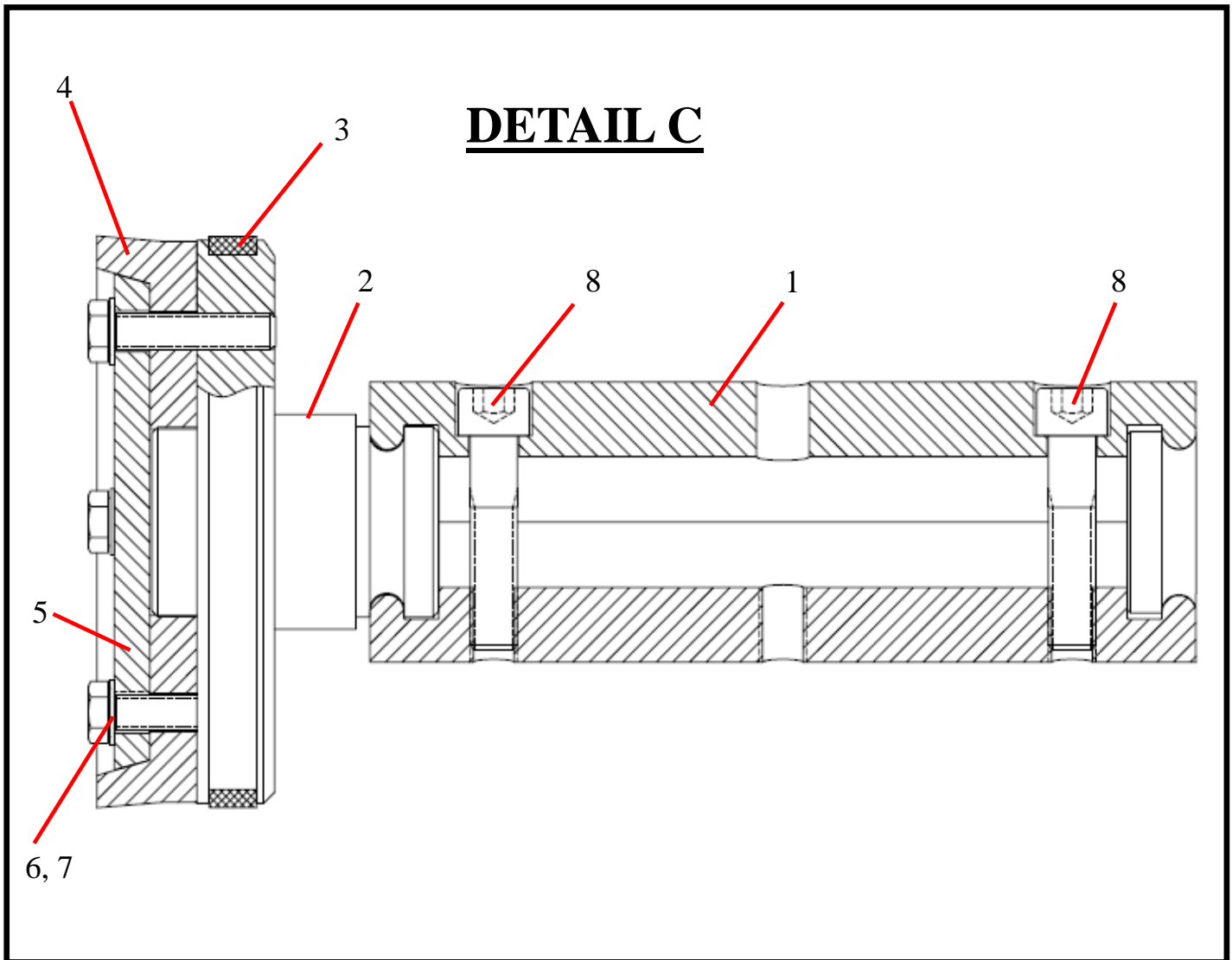
CARBIDE WEAR PLATE ASSEMBLY

DETAIL B



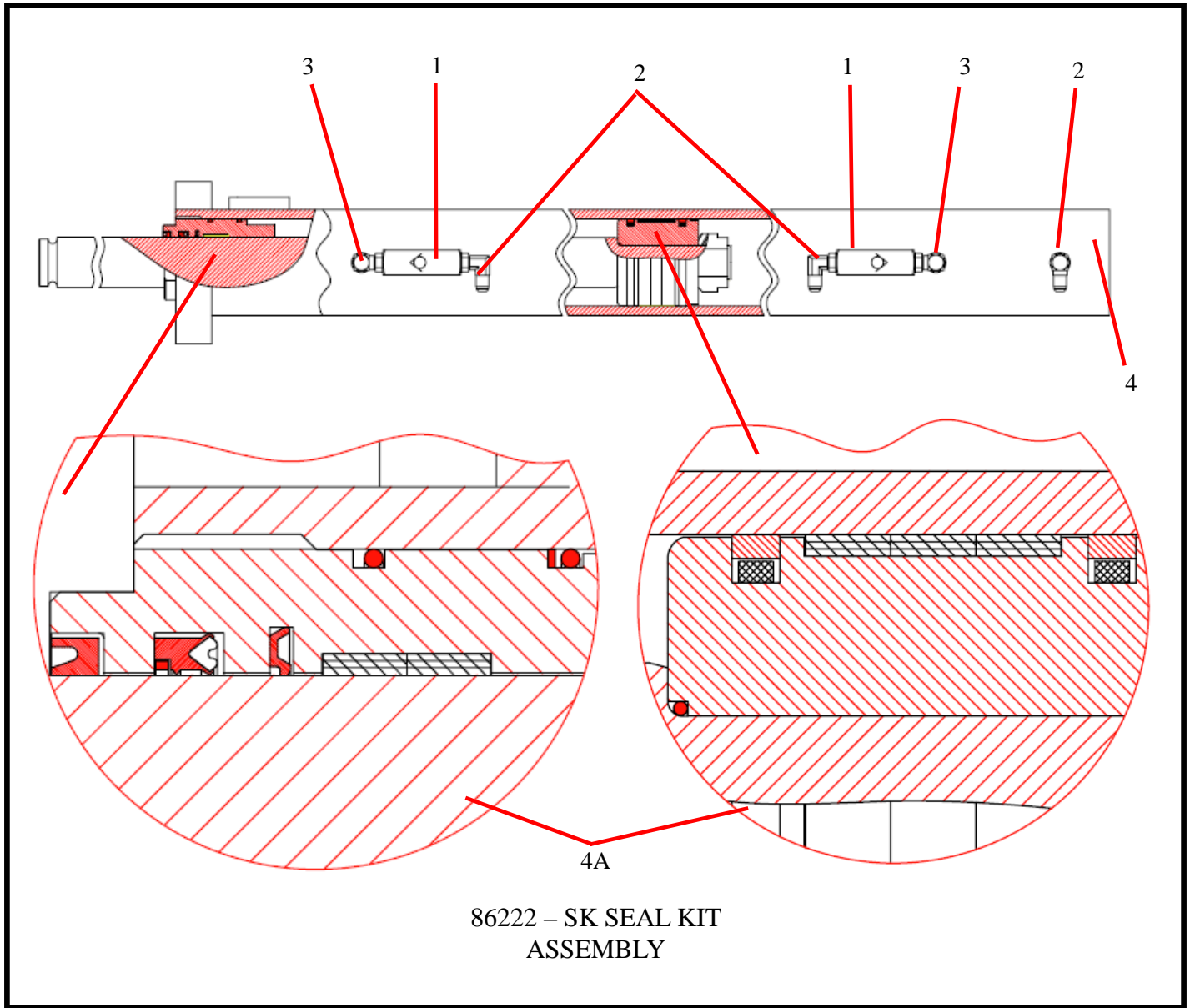
ID #	PART #	PART DESCRIPTION	QUANTITY	
1	86149	O-RING, #259 BUENA 70	2	EA
2		FHCS, 3/4 - 10X 4 1/2" GR 8	1	EA
3		FHCS, 3/4 - 10X 3 1/2" GR 8	3	EA
4		HEX NUT, 3/4" - 10	4	EA
5		LOCK WASHER, 3/4"	4	EA
6		FLATWASHER, 3/4"	4	EA
7	72310-1	WEAR RING, CARBIDE, 6"	1	EA
8	86031-1	WEAR PLATE, CARBIDE 6"	1	EA
9	86086	CHIP RING, 6"	2	EA
10	86085	SEAL, SINGLE LIP, 6"	1	EA
11	86502	LOCATOR RING - FLANGE BEARING	1	EA

6" PISTON CUP ASSEMBLY



ID #	PART #	PART DESCRIPTION	QUANTITY	
1	86024	PISTON COUPLING, 8.75 LONG	1	EA
2	77194	PISTON-CONC. ADAPTER 6"	1	EA
3	77120	WEAR RING(GUIDE BAND) 6"	1	EA
4	70048	PISTON CUP, 6 IN	1	EA
5	70057	PISTON PLATE 6 INCH	1	EA
6		HHCS, 3/8 - 16X1" GR 8	4	EA
7		LOCK WASHER 3/8	4	EA
8		SHCS 1/2 - 13 X 2 1/4"	2	EA

DRIVE CYLINDER ASSEMBLY



ID #	PART #	PART DESCRIPTION	QUANTITY	
1	78961	CHECK VALVE-5K PSI O-RING	2	EA
2	86748	FITTING-MB-MJ90-6-6	3	EA
3		ELBOW, MB-MB90-6-6	2	EA
4	86222A	HYDRAULIC CYLINDER 3.50 X 2.00 X 41.75	1	EA
4A	86222A-SK	SEAL KIT	1	EA

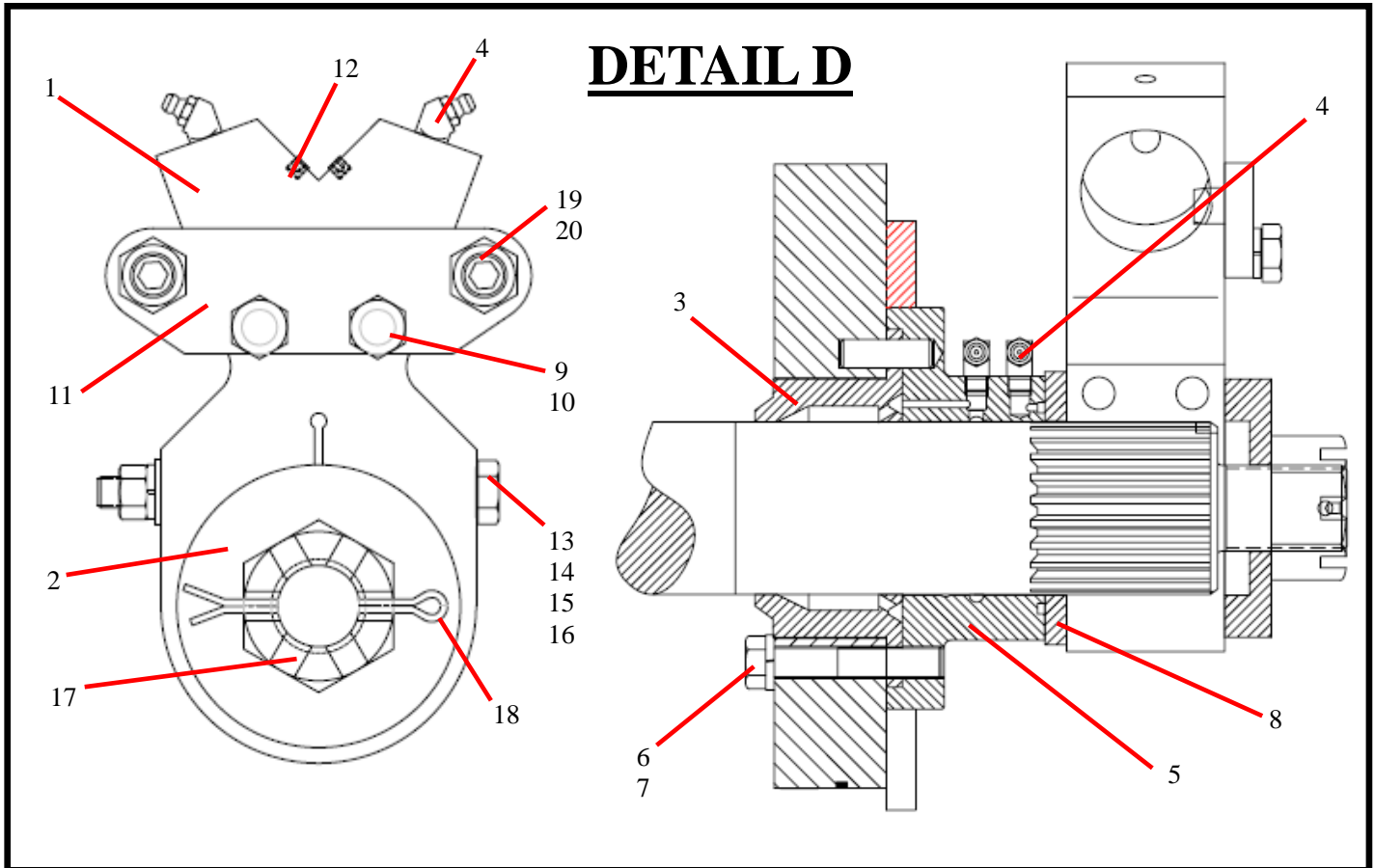


C50SCRV03

PARTS

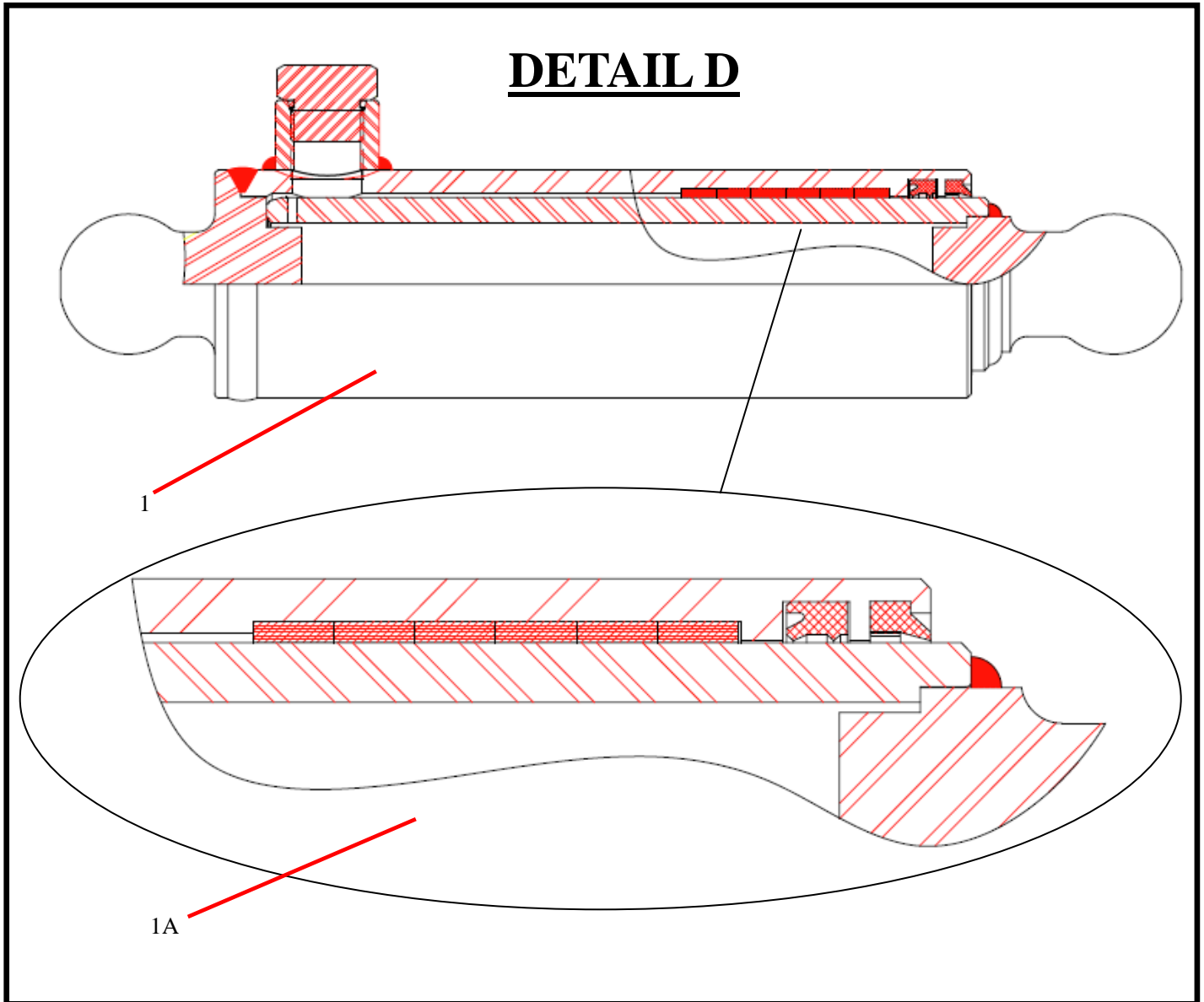
13822 Oaks Avenue
Chino, CA 91710
reedpumps.com
(909) 287 - 2100

DUAL SHIFT BELL CRANK ASSEMBLY



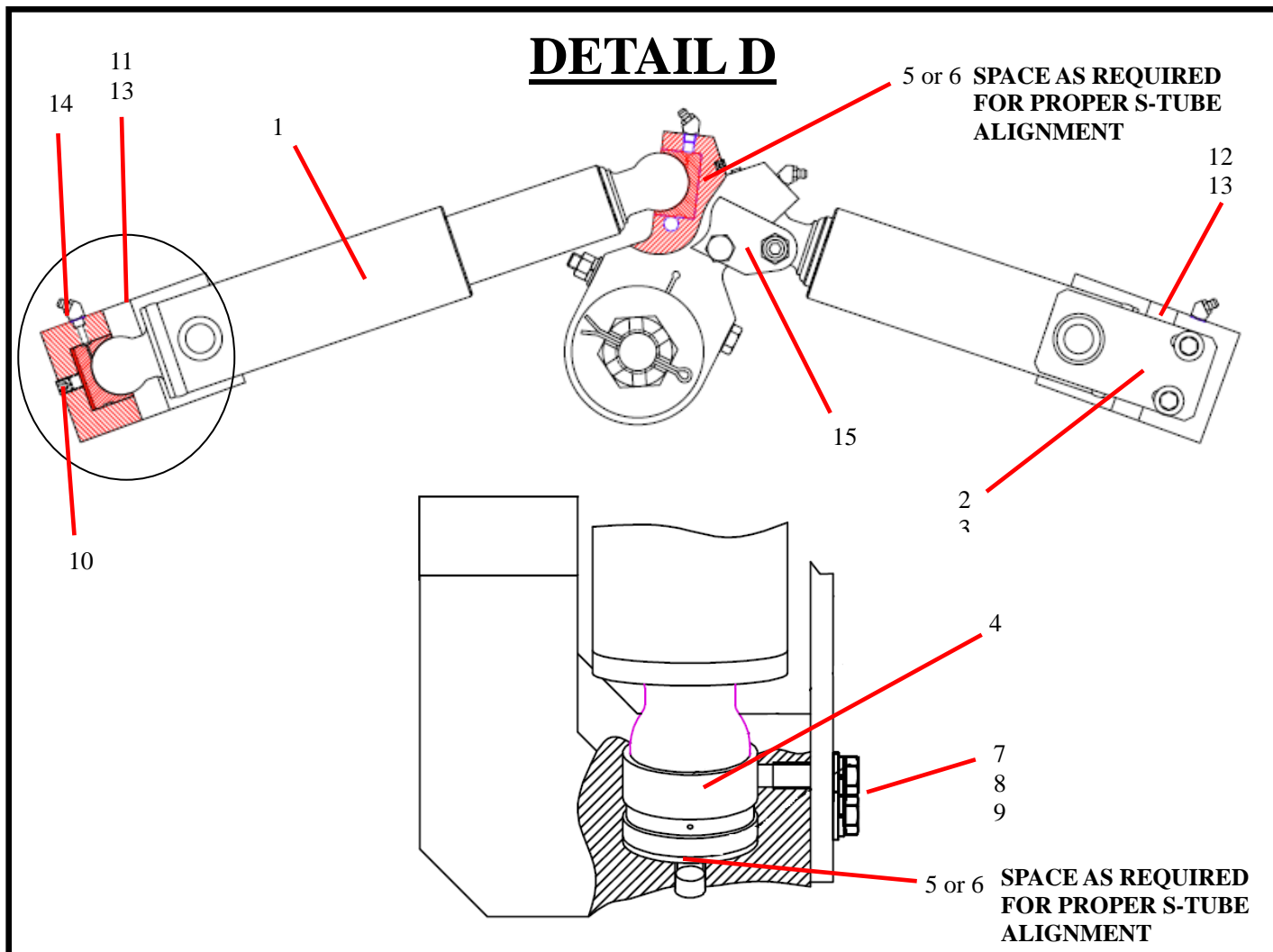
ID #	PART #	PART DESCRIPTION	QUANTITY	
	87846	S-TUBE SHIFT GROUP, DUAL -6X5" CARBIDE		
1	85956	BELL CRANK, 3" SPLINE, DUAL	1	EA
2	86985	SPACER, S-TUBE NUT	1	EA
3	85962	SEAL, FLANGE BEARING	1	EA
4		GREASE FITTING, 1/8" NPT	4	EA
5	85133	FLANGED BEARING	1	EA
6		HHCS, 9/16 - 12X3" GR 8	4	EA
7		LOCK WASHER, 9/16"	4	EA
8	85294-1	THRUST WASHER, S -TUBE (NYLON)	1	EA
9		HHCS, 1/2-13X1 1/4" GR 8	2	EA
10		LOCKWASHER, 1/2"	2	EA
11	86282	RETAINER - SHIFT CYLINDER	1	EA
12	74679-1	PLUG 1/4" NPT SOCKET HEAD MOD.	2	EA
13		HHCS, 1/2-13X6 1/4" GR 8	2	EA
14		FLAT WASHER 1/2"	4	EA
15		LOCK WASHER 1/2"	2	EA
16		HEX NUT, 1/2"-13	2	EA
17	87012	NUT 2" -12 CASTLE GRADE 5	2	EA
18		COTTER PIN, 1/4X4"	1	EA
19	86283	SET SCREW-5/8-11X2.00" CUP POINT	1	EA
20	80005	NUT HEX-5/8-11 UNC USS RH THREAD	1	EA

DUAL SHIFT CYLINDER ASSEMBLY



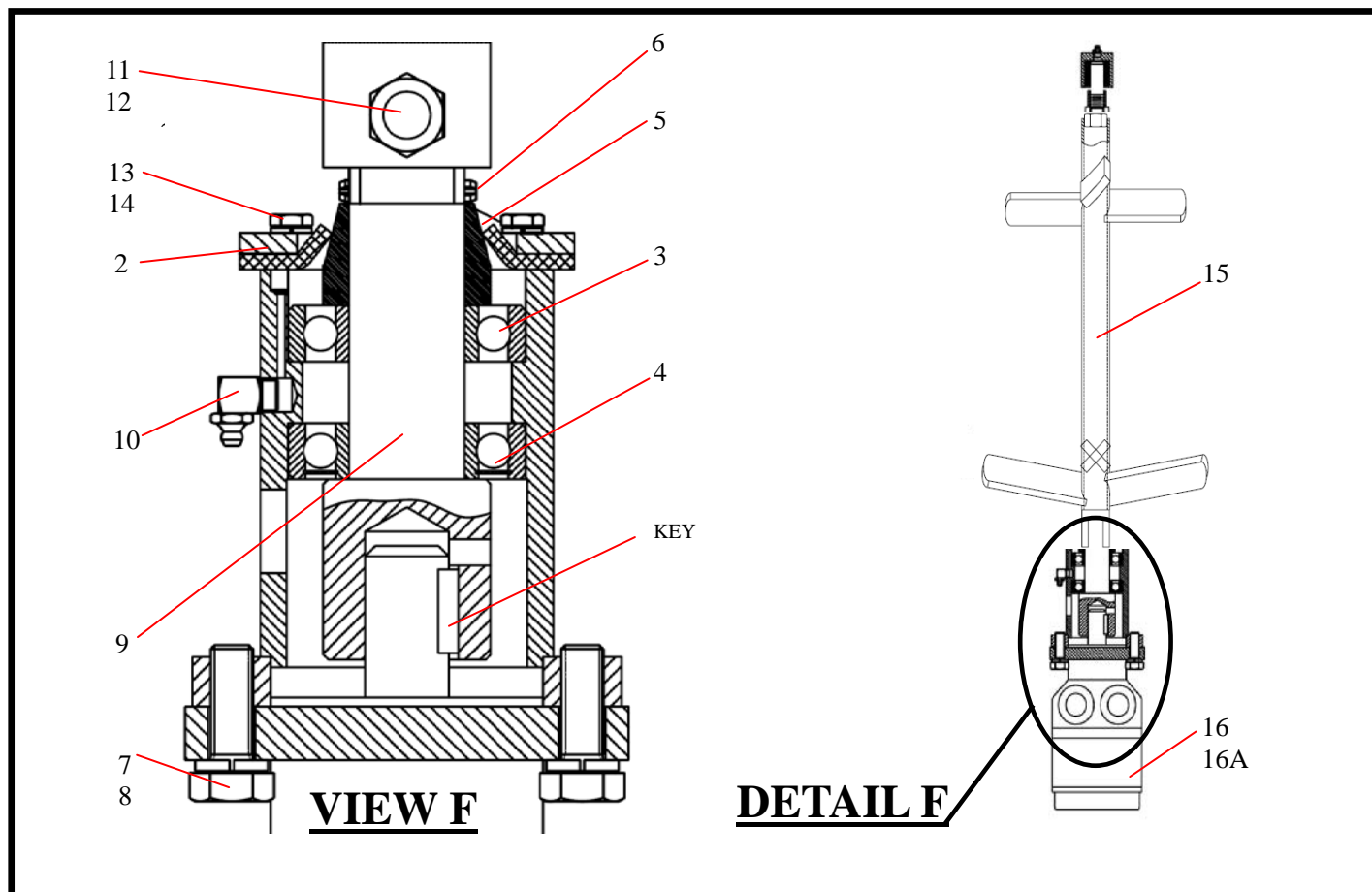
ID #	PART #	PART DESCRIPTION	QUANTITY	
1	87333A	SWING RAM 3.0 X 5.50 STROKE	2	EA
1A	87333A-SK	SEAL KIT	2	EA

DUAL SHIFT ASSEMBLY



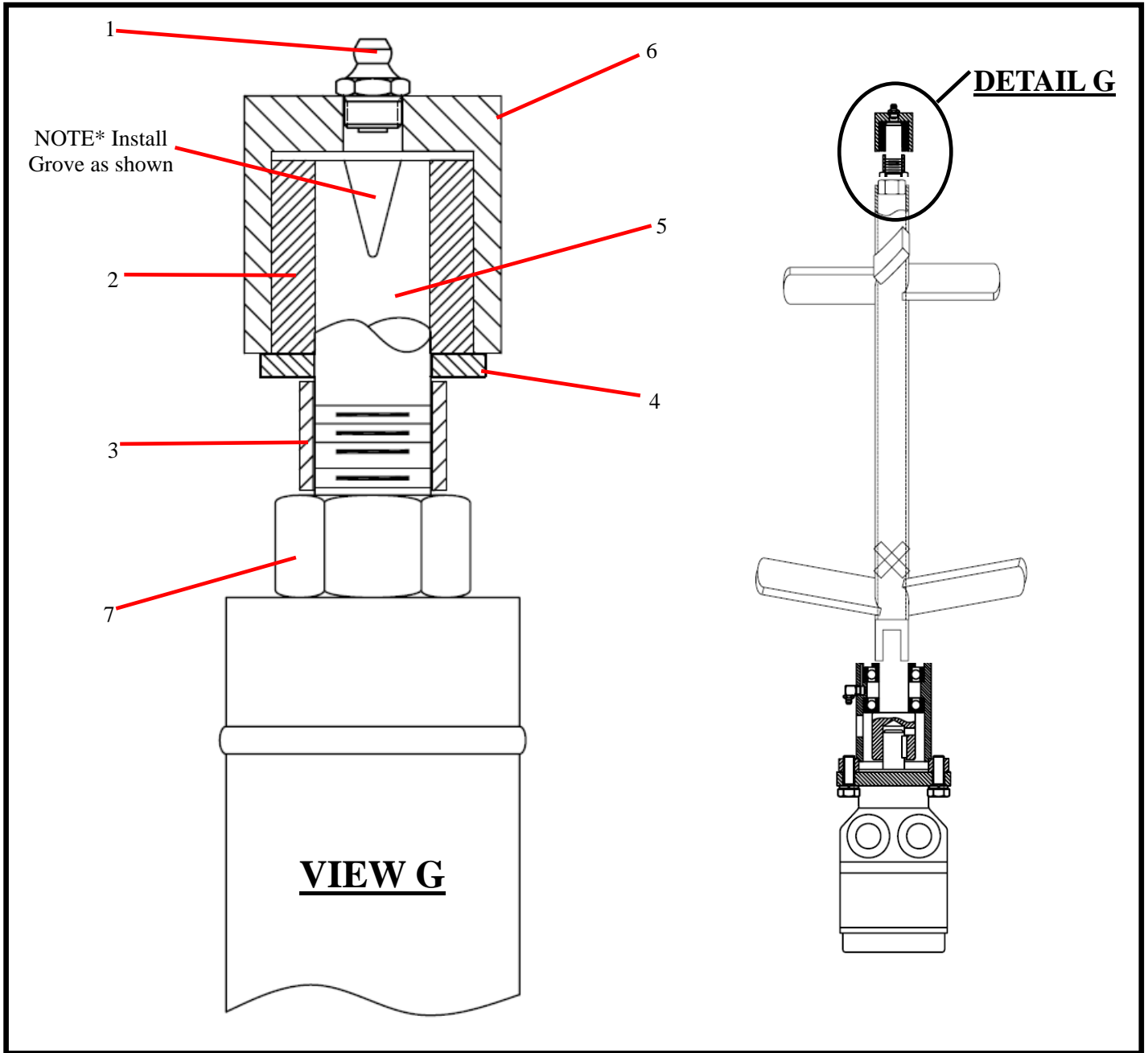
ID #	PART #	PART DESCRIPTION	QUANTITY	
1	87333A	SWING RAM – 3.00 X 5.50 STROKE	2	EA
2	86441	RETAINER, SWING RAM	2	EA
3	88427	SPACER, SWING RAM RETAINER	2	EA
4	76798-1	BALL SOCKET, NYLON	4	EA
5	75501	SPACER 1/8"	A/R	EA
6	75502	SPACER 1/16"	A/R	EA
7		HHCS, 3/8-24X1 ¼" GR8	4	EA
8		WASHER, 3/8"	4	EA
9		LOCK WASHER, 3/8"	4	EA
10	86283	SETScrew – 5/8 -11X2.00 CUP	2	EA
11	85941	HOUSING,RH SWING RAM	1	EA
12	85942	HOUSING, LH SWING RAM	1	EA
13	86052	DOWEL PIN, ½" DIA X 2"	4	EA
14		GREASE FITTING, 1/8" NPT	2	EA
15	86282	RETAINER – SHIFT CYLINDER	1	EA

HOPPER AGITATOR ASSEMBLY



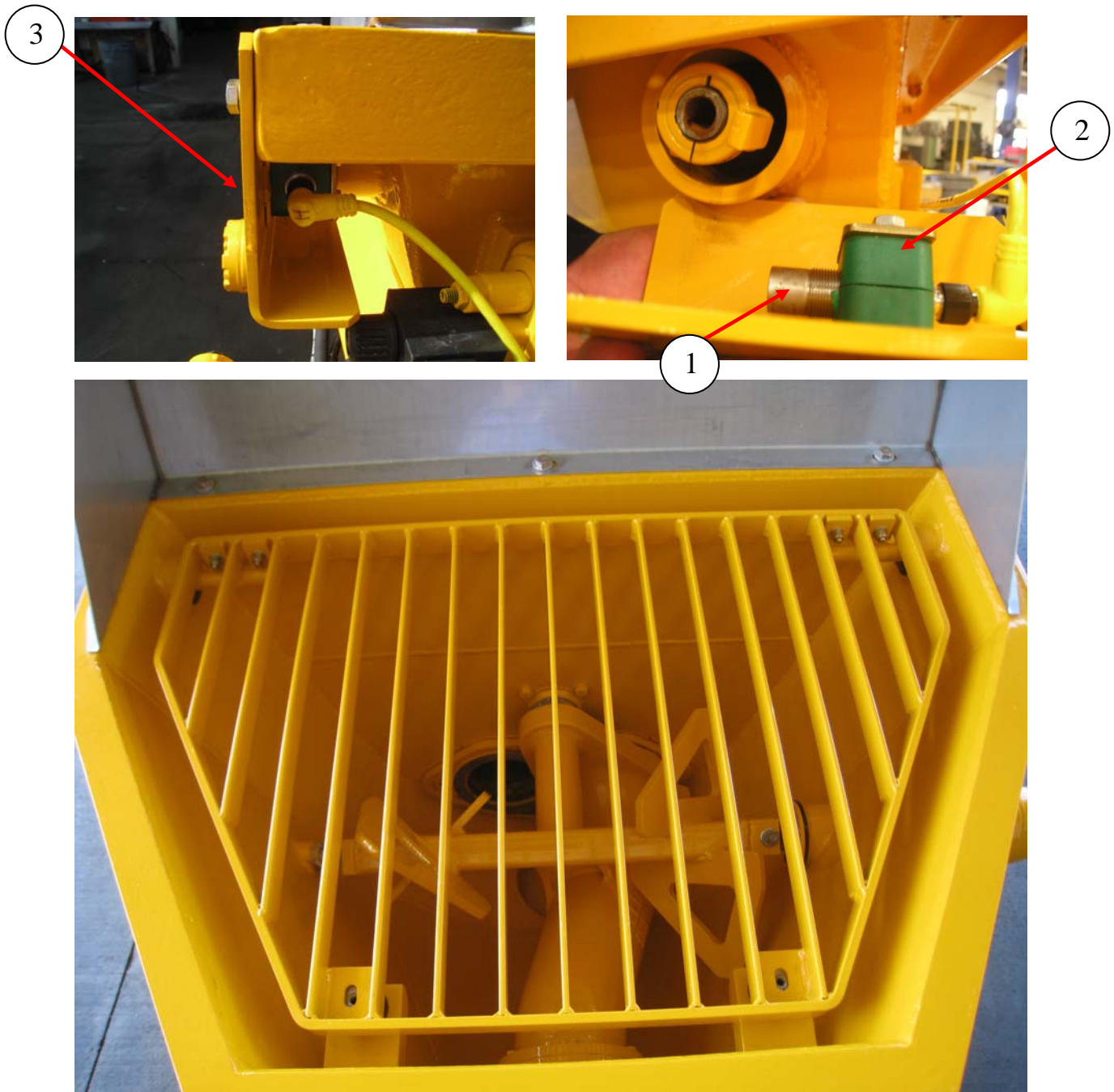
ID #	PART #	PART DESCRIPTION	QUANTITY	
	86322	AGITATOR ASSEMBLY	1	EA
1	70211	FLANGE SEAL S/W	1	EA
2	70212	SEAL REMIXER	1	EA
3	85978	BEARING, BALL, PLAIN	1	EA
4	85979	BEARING, BALL 1 SEAL	1	EA
5	85976	WEAR RING, AGITATOR	1	EA
6	86758	SPRING PIN, 1/4" DIA X 1 3/4"	1	EA
7	86753	HHCS, 1/2 -13X1 1/2" GR 8	2	EA
8	86754	LOCK WASHER, 1/2"	2	EA
9	85923	SHAFT,AGITATOR	1	EA
10		GREASE FITTING, 1/8" NPT 90°	1	EA
11	86756	HHCS, 1/2 -13X2 1/2" GR 8	1	EA
12	80075	LOCK NUT, 1/2" -13	1	EA
13	86752	BOLT -1/4-28X3/4" GD.8	6	EA
14	86743	LOCK WASHER, 1/4"	6	EA
15	86330	AGITATOR, STD HOPPER, PAINTED	1	EA
16	85811	HYD MOTOR, 45.6 CID, 1" SHAFT	1	EA
16A	85809SK	SEAL KIT	1	EA

AGITATOR ASSEMBLY CONTINUED



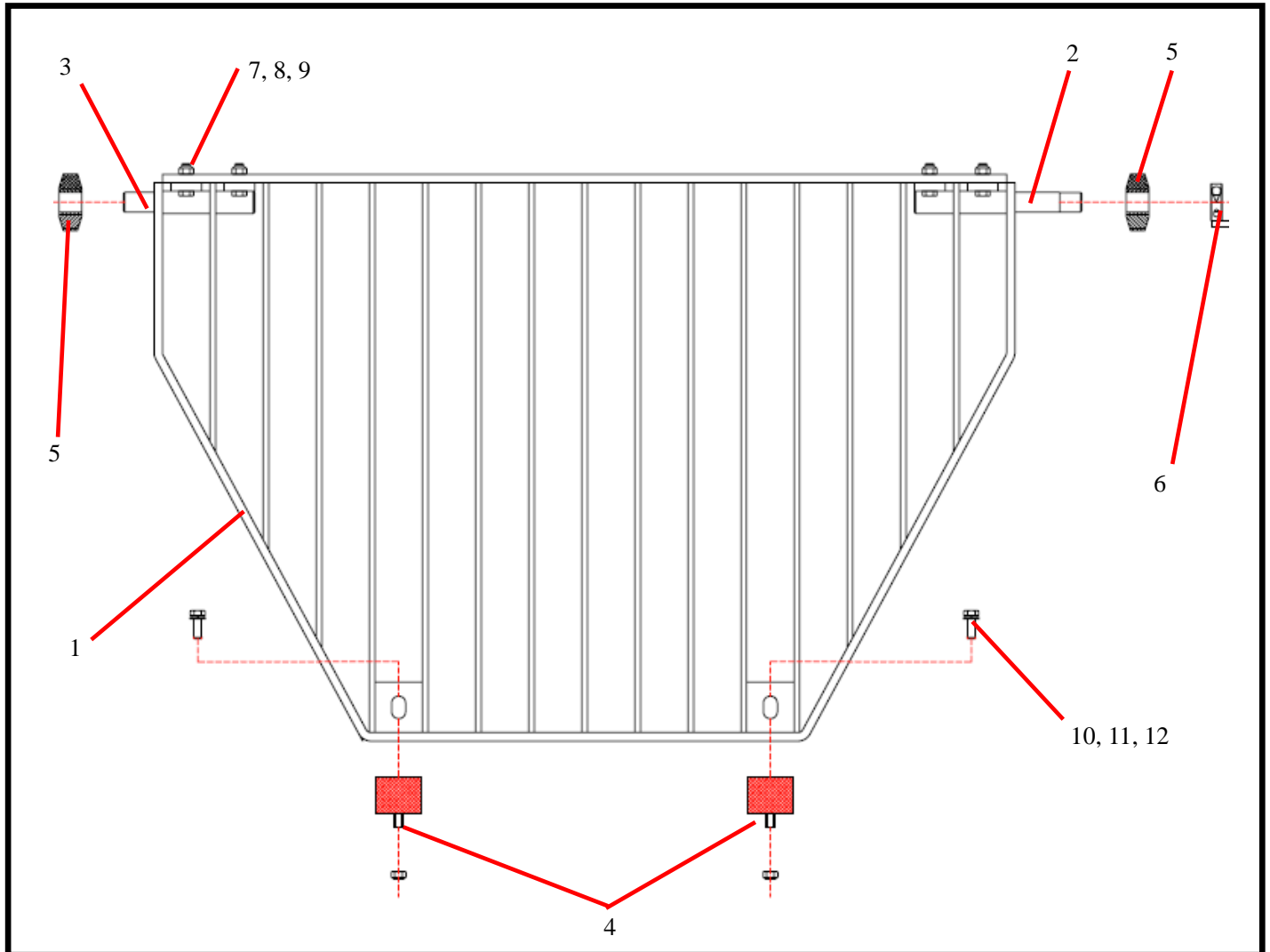
ID #	PART #	PART DESCRIPTION	QUANTITY	
1		GREASE FITTING, 1/8" NPT STRAIT	1	EA
2	70219	REMIX SHAFT BUSHING	1	EA
3	77877	SPACER, REMIX	1	EA
4	86824	FLAT WASHER, 3/4" SAE	1	EA
5	70214	IDLER SHAFT, AGITATOR	1	EA
6	70210	IDLER BEARING HOUSING	1	EA
7	80030	HEX NUT-M20X2.5 PLATED	1	EA

SAFETY GRATE

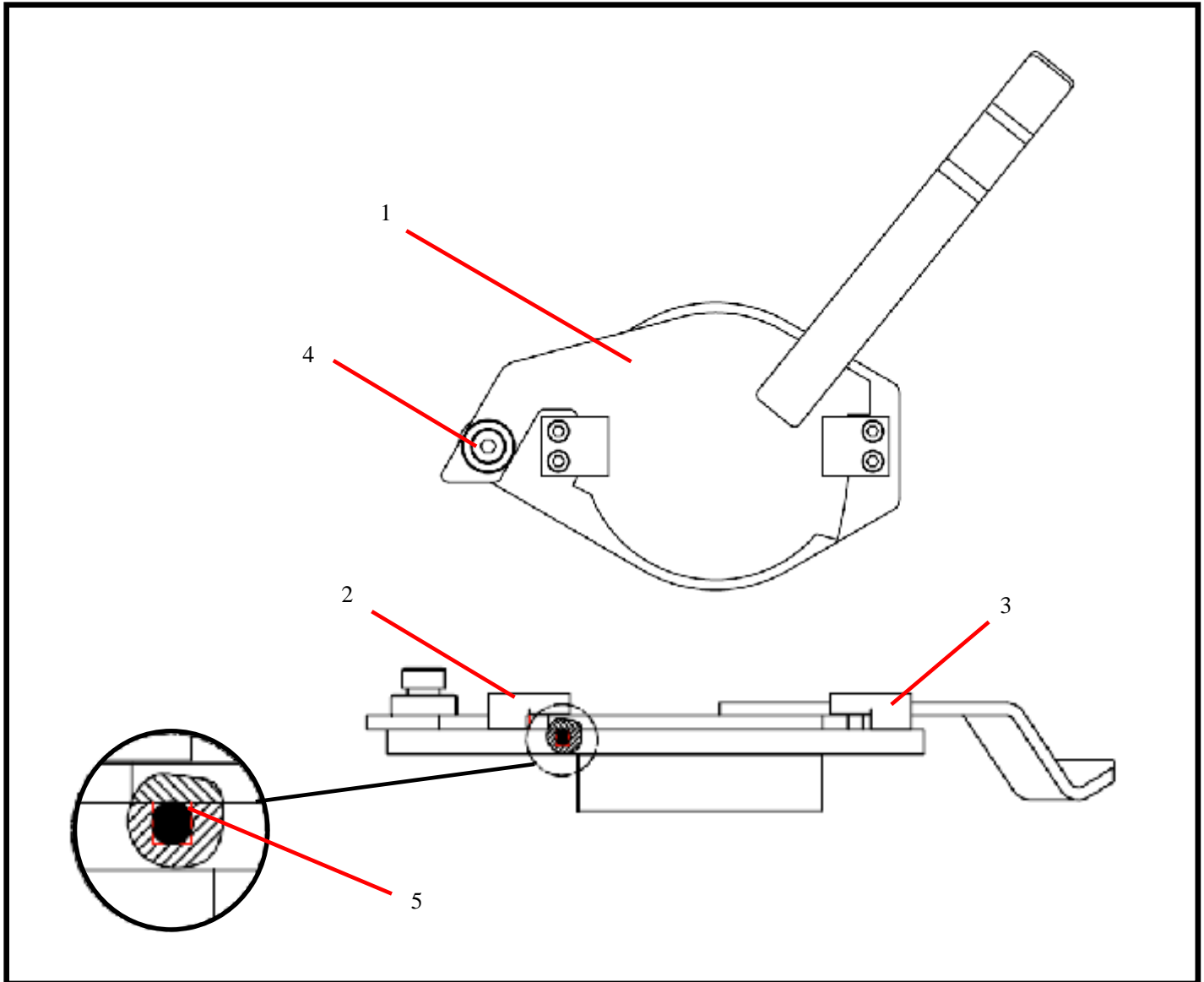


ID #	PART #	PART DESCRIPTION	QUANTITY	
1	87369	PROXIMITY SENSOR PNP HOPPER GRATE	1	EA
2	801902-006	CLAMP,18MM TUBE CLAMP SET	1	EA
3	87997	COVER WELD PROX SWITCH HOPPER	1	EA

GRATE ASSEMBLY

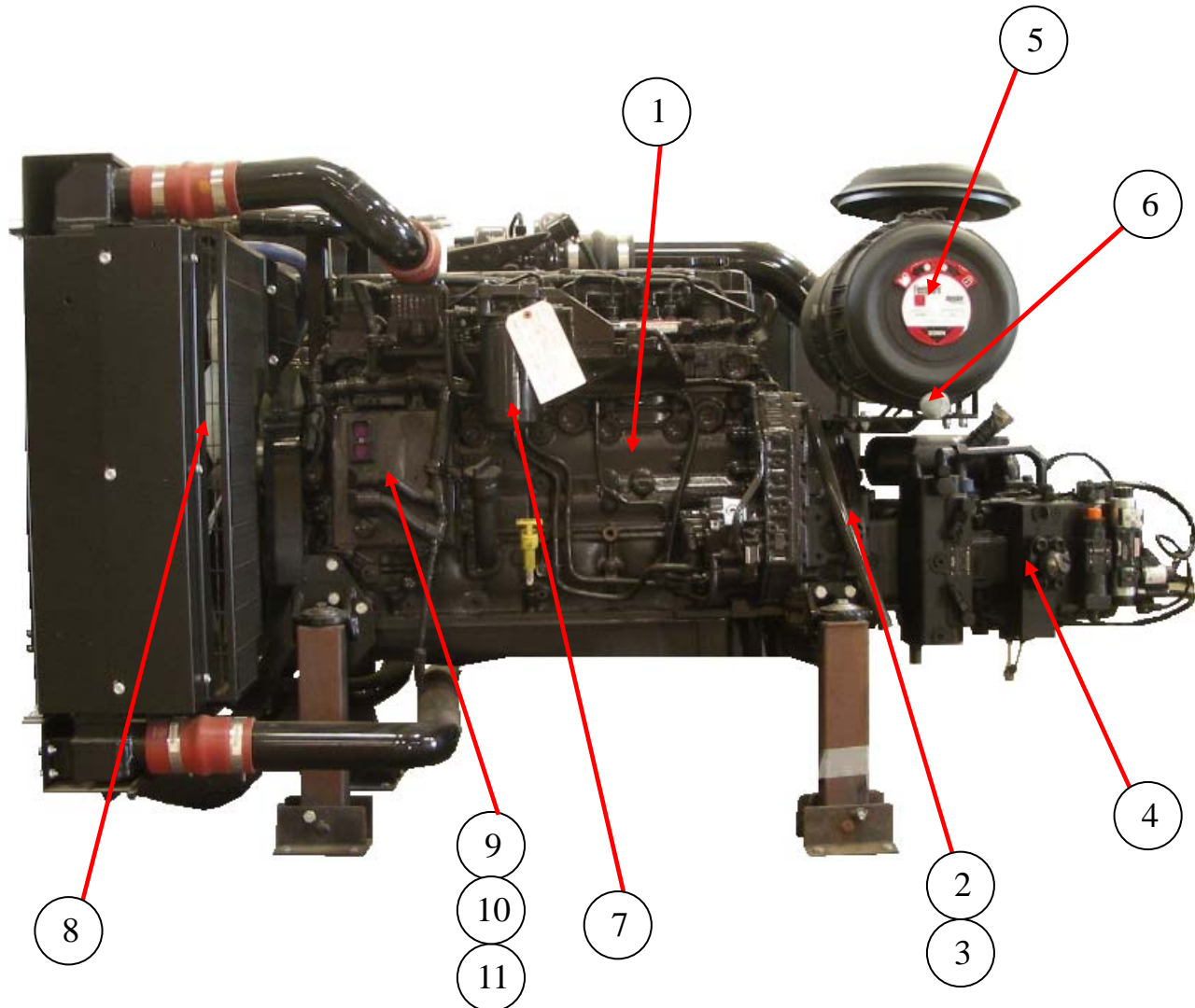


ID #	PART #	PART DESCRIPTION	QUANTITY	
1	87835	GRATE WELDMENT, STD HOPPER	1	EA
2	87857	PIN WELDMENT LONG	1	EA
3	87858	PIN WELDMENT SHORT	1	EA
4	86083	BUMPER, HOPPER GRATE	2	EA
5	W114850	RUBBER BUFFER	2	EA
6	87769	COLLAR SHAFT, 7/8" DIA	1	EA
7		3/8"-16 X 1 1/4" HEX BOLT	4	EA
8		3/8" FLAT WASHER	8	EA
9		3/8-16 LOCK NUT	4	EA
10		3/8"-16 X 1" HEX BOLT	2	EA
11		3/8" FLAT WASHER	2	EA
12		3/8" LOCK WASHER	2	EA

CLEAN OUT DOOR ASSEMBLY

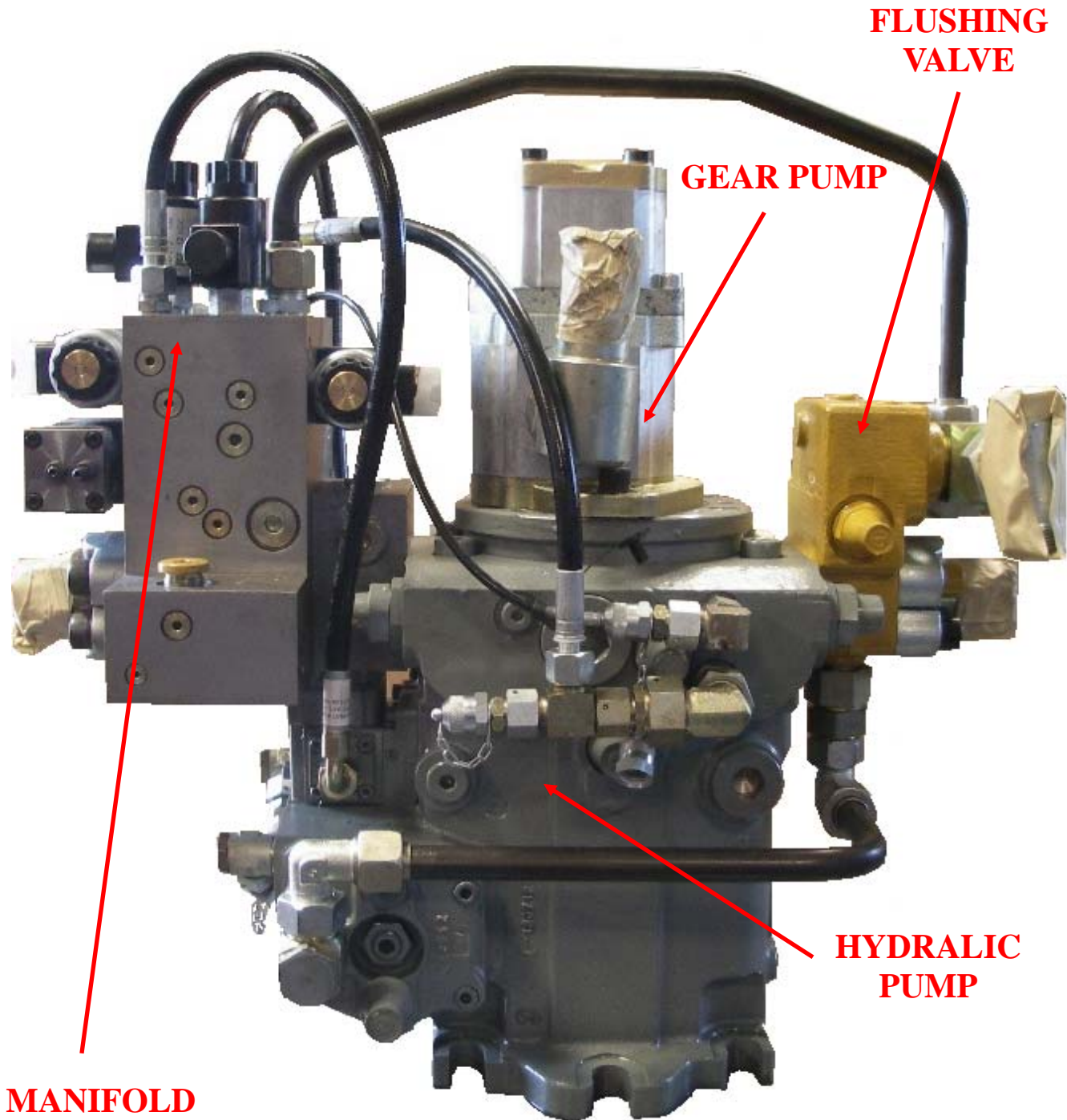
ID #	PART #	PART DESCRIPTION	QUANTITY	
1	86989	DOOR WELDMENT, CLEAN OUT	1	EA
2	86559	BLOCK, CLEAN OUT DOOR, LH	1	EA
3	86560	BLOCK, CLEAN OUT DOOR, RH	1	EA
4	86922	SHOULDER SCREW 1" DIA-1 1/4"	1	EA
5	W102908A	O-RING CORD, HOPPER DOOR	2.21	FT

POWER TRAIN ENGINE, PUMPS, AND FILTERS

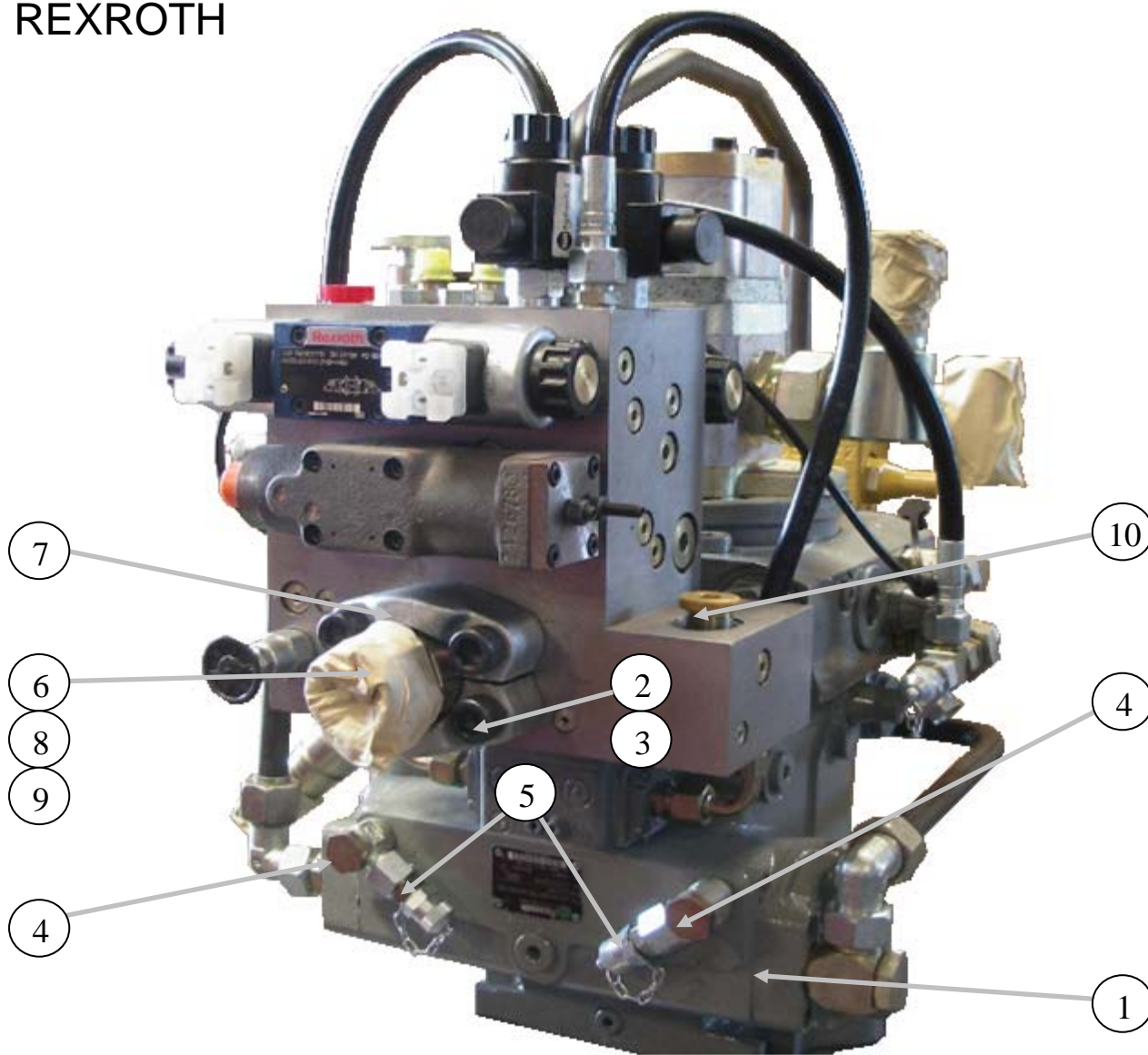


ID #	PART #	PART DESCRIPTION	QUANTITY	
1	87572	ENGINE QSB6.7 160HP. CUMMINS	1	EA
2	88174	O-RING	1	EA
3	87360	PUMP DRIVE -SAE 3 - SAE D	1	EA
4	87929-P	HYD PUMP ASSY 125CC REXROTH	1	EA
5	87725-014	AIR FILTER HOUSING ASSEMBLY	1	EA
6	87725-015	AIR FILTER HOUSING COVER, DUST EJECTION	1	EA
7	87725-002	FUEL FILTER	1	EA
8	87725-017	FAN, PULLER STYLE	1	EA
9	87725-018	HARNESS ASSY CUMMINS QSB4.5 & 6.7	REF	
10	87725-020	CABLE SENDING FUEL/WATER SEPERATOR	REF	
11	87725-022	HARNESS POWER WIRE	REF	

MAIN HYDRALIC PUMP 125cc
REXROTH

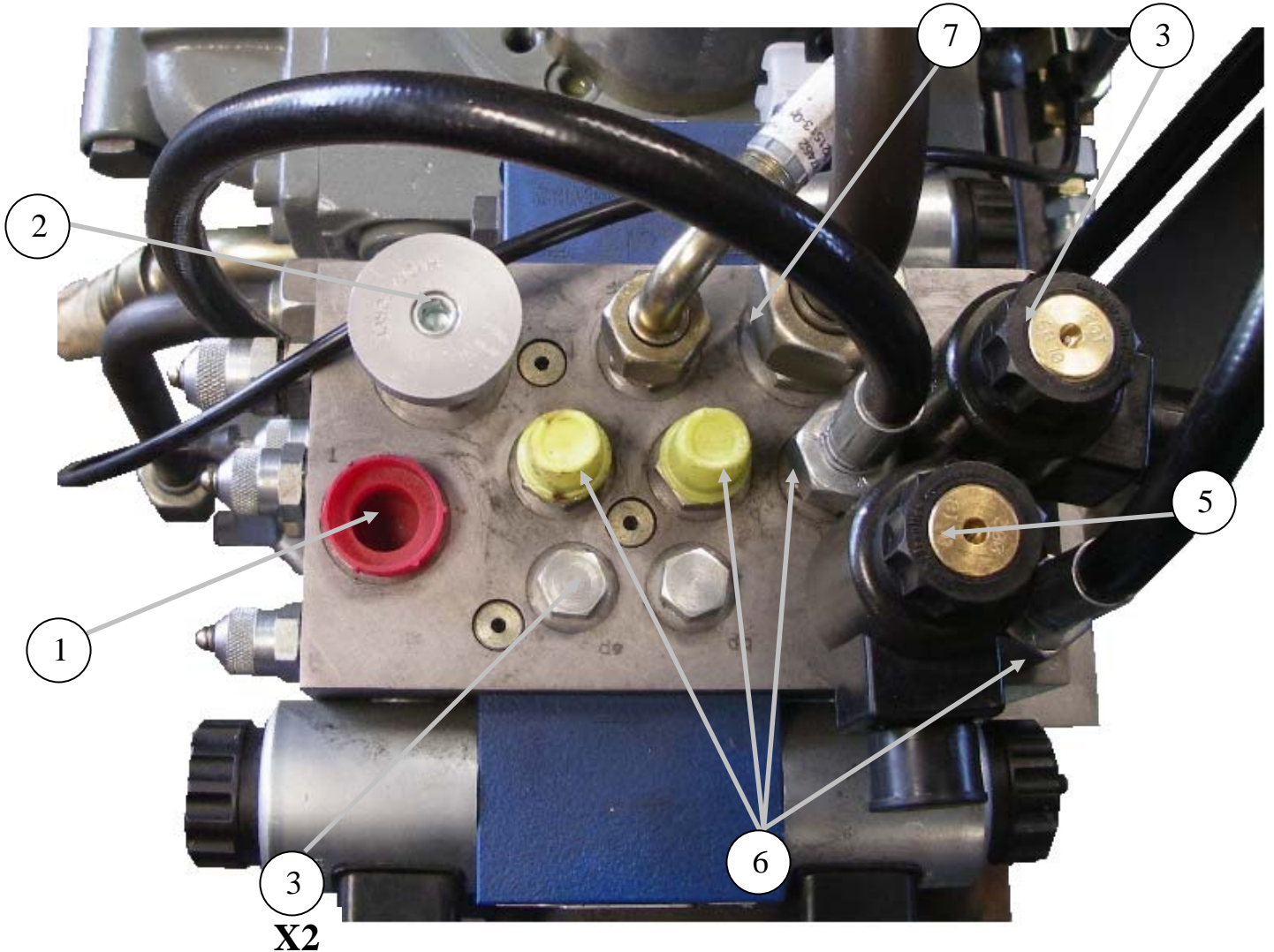


MAIN HYDRALIC PUMP 125cc REXROTH



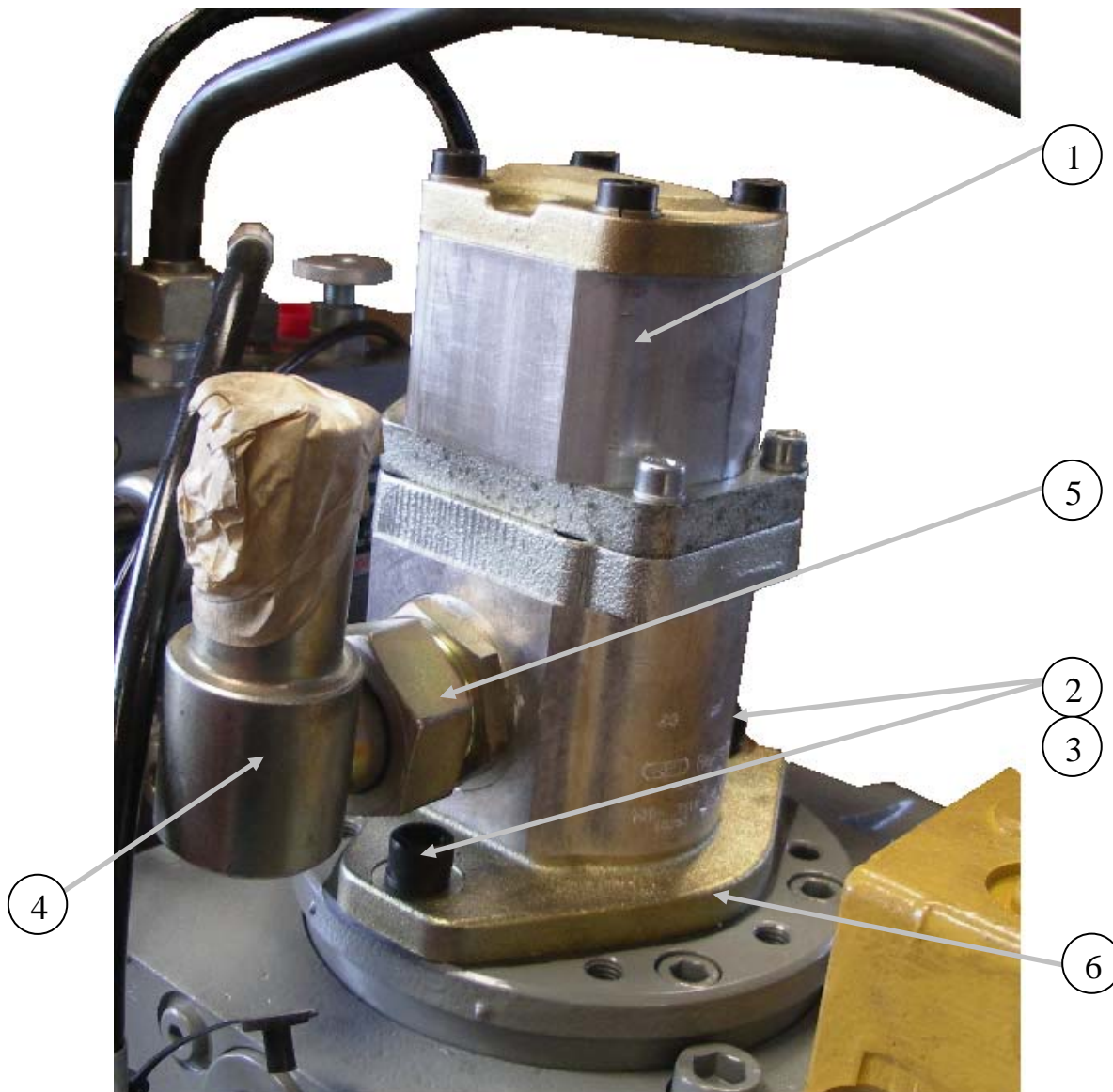
ID #	PART #	PART DESCRIPTION	QUANTITY	
	87929-P	HYDRALIC PUMP ASSY, 125cc, REXROTH	1	REF
1	W-109842	PUMP, AVG125 CC SAE B PAD WITH FLUSHING VALVE	1	EA
2	87458	SHCS, M14X200-GR 12.9	4	EA
3	803165	M14-LOCK WASHER	4	EA
4	801874-007	BANJO ELBOW 12LX16MX1.5	2	EA
5	W-105076	FITTING, GAUGE FITTING-L12	2	EA
6	87576	FLANGE ADAPTER, 1 1/4" SAE-30S	1	EA
7	86265-003	SPLIT FLANGE-CODE 62-20 SAE	1	EA
8	802763	O-RING #222, BUNA 90 SHORE	1	EA
9	801888-007	SWIVEL ELBOW-30S	1	EA
10	801871-004	PLUG - 1/2 BSPP	2	EA

MAIN HYDRALIC PUMP 125cc REXROTH



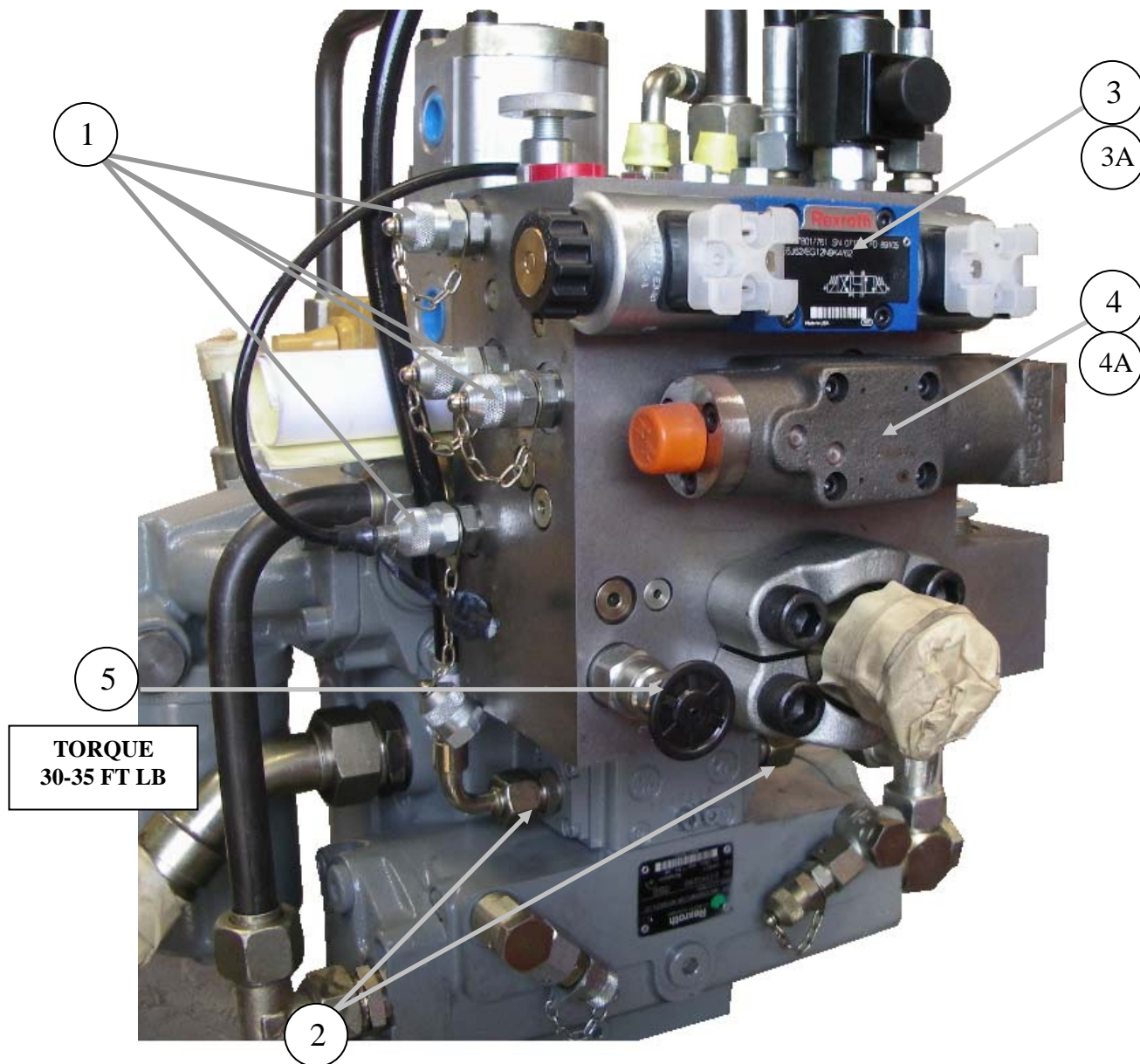
X2

ID #	PART #	PART DESCRIPTION	QUANTITY	
1	81002	FITTING-MB-MJ-8-10	1	EA
2	86952-002	FLOW CONTROL CAT/W KNOB (HYDRAFOCE)	1	EA
3	87568	PLUG O-RING BOSS SAE-4	2	EA
4	88140	PRESSURE REDUCING ELECTRO PROPORSIONAL (PWM)	1	EA
5	?	DNDA-MNN-212	1	EA
6	801876-001	ADAPTOR-12L X SAE 6	5	EA
7	801876-006	ADAPTOR-18L X SAE 10	1	EA

**MAIN HYDRALIC PUMP 125cc
REXROTH**

ID #	PART #	PART DESCRIPTION	QUANTITY	
1	87445-1	GEAR PUMP, 25/11.3CC RH B-PAD SPL	1	EA
2	803153	BOLT, M12X1.75X35 HEX 10.9 DIN933	2	EA
3		M12x35 FLAT WASHER	2	EA
4	801506	ADAPTER-90L-35L (F) X 1.50 HOSE	1	EA
5	801517	ADAPTER-STR-35L (M) X SAE16 (M)	1	EA
6	W-109842	O-RING	1	EA

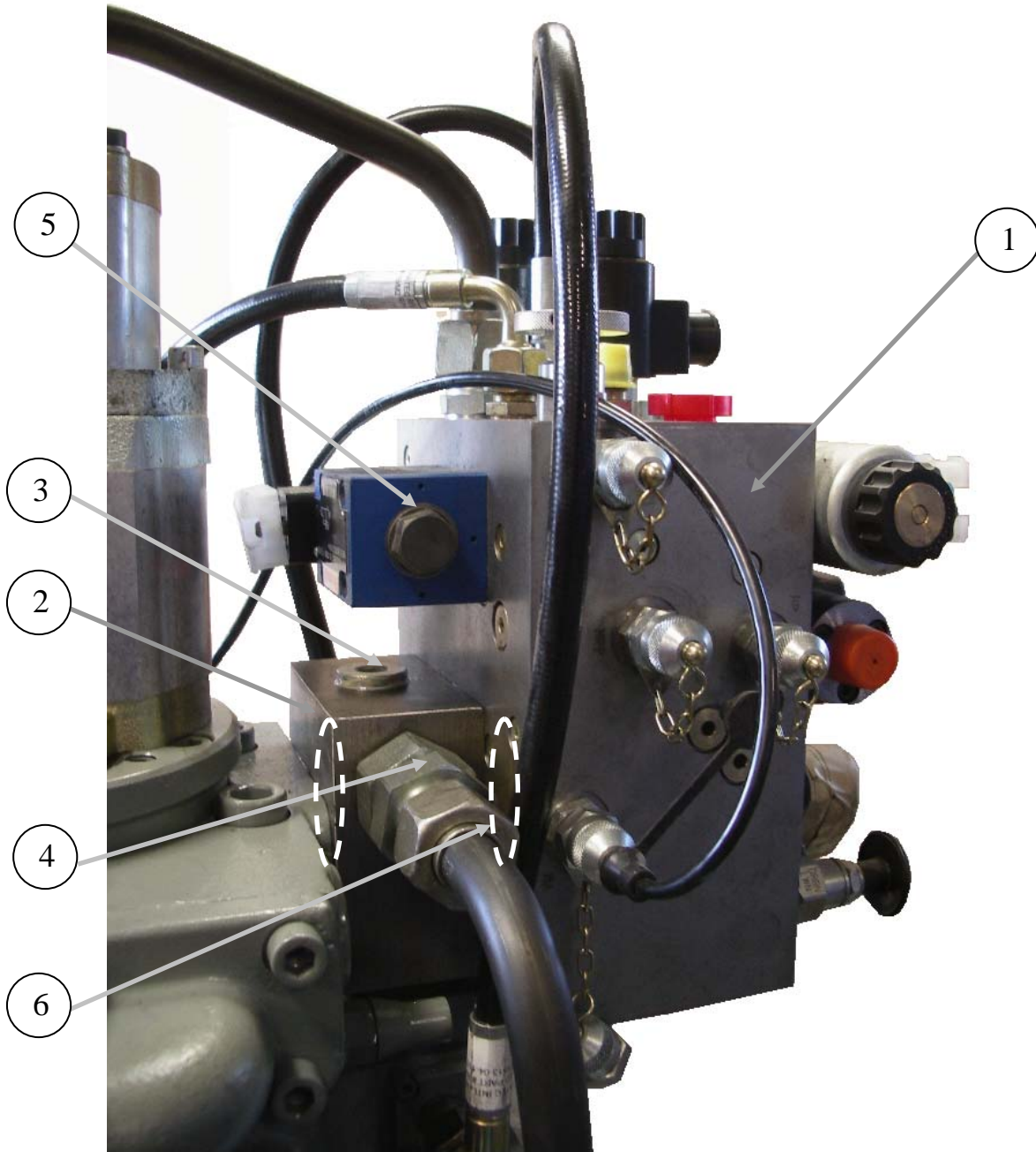
MAIN HYDRALIC PUMP 125cc REXROTH



**TORQUE
30-35 FT LB**

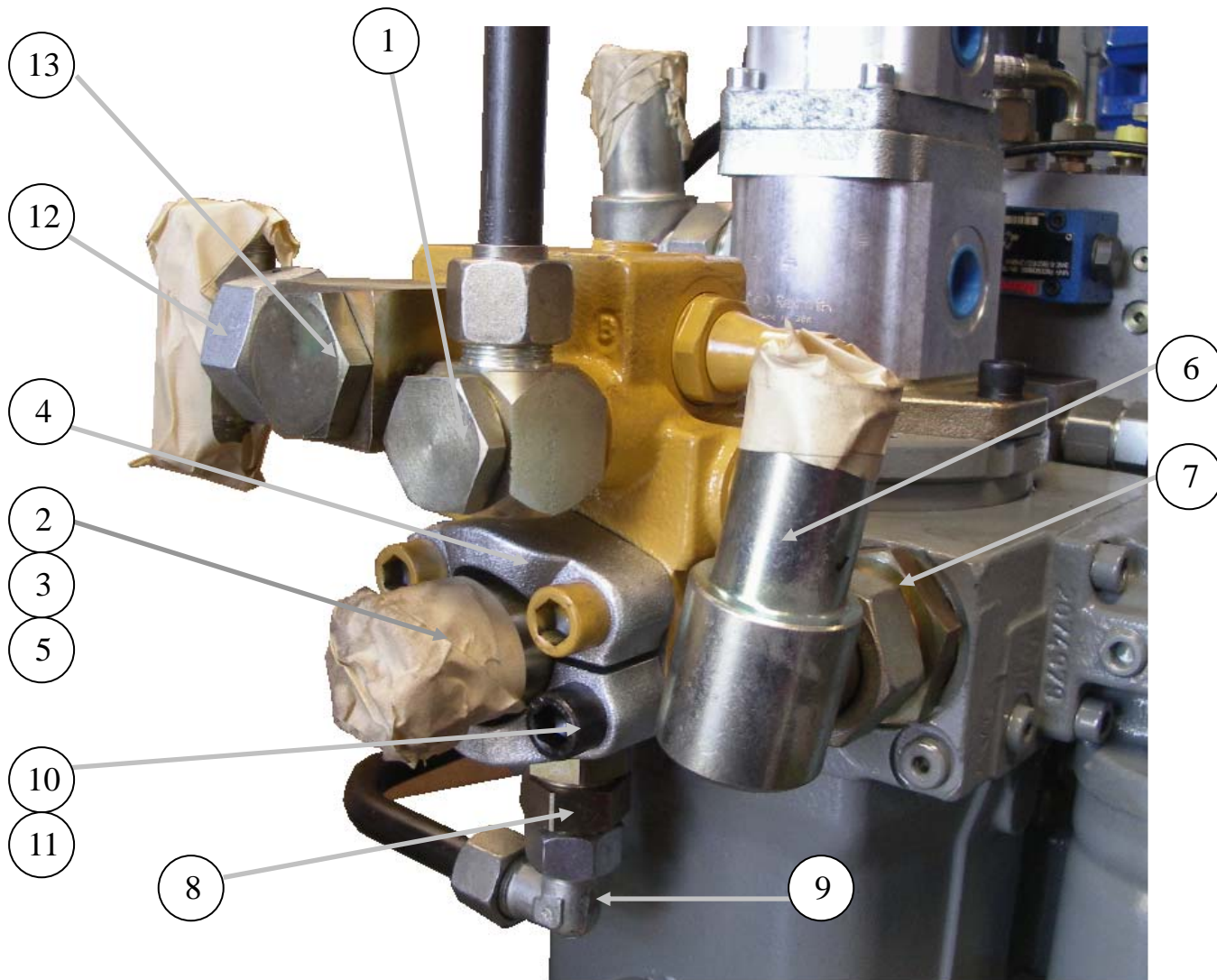
ID #	PART #	PART DESCRIPTION	QUANTITY	
1	87661	TEST POINTS M16X2-SAE6 MALE	4	EA
2	801872-013	ADAPTER, 12LXM12X1.5	2	EA
3	W-105581	SOLENOID VALVE, PUMP	1	EA
3A	W-105575	SEAL KIT FOR W-105581	1	EA
4	W-105579	HP CONTROL VALVE	1	EA
4A	W-105580	SEAL KIT	1	EA
5	87959	CARTRIDGE LODGIC (4500 PSI)-(TORQUE 30-35 FT LB)	1	EA

MAIN HYDRALIC PUMP 125cc REXROTH

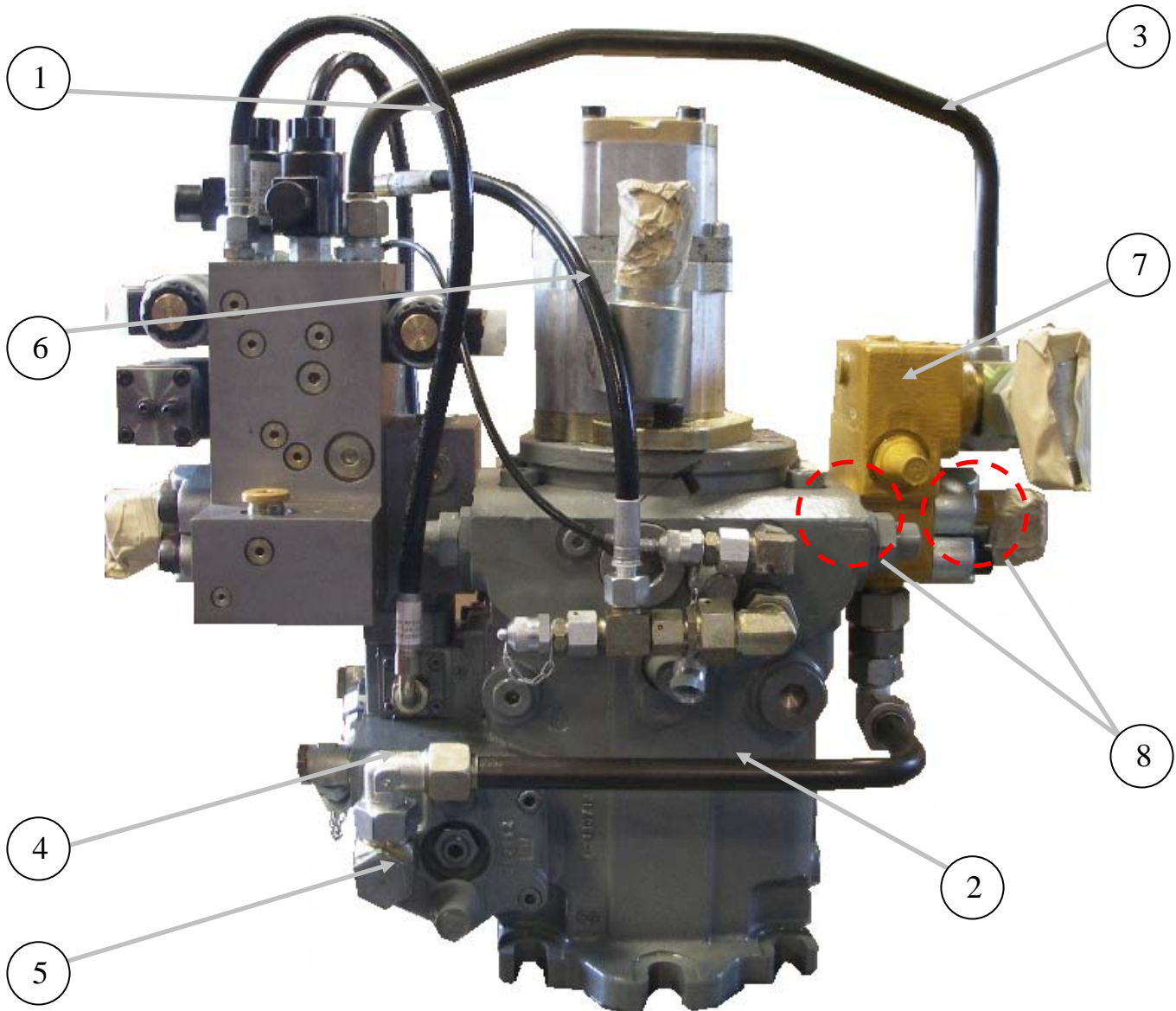


ID #	PART #	PART DESCRIPTION	QUANTITY	
1	86952	MANIFOLD, CLOSE LOOP MASTER CONTROL	1	EA
2	801778	MANIFOLD, A4VG125 / A4VG180	1	EA
3	801871-004	PLUG - ½ BSPP	2	EA
4	801901-004	CHECK VALVE - 18L X ½ BSPP-PORT	1	EA
5	?	FAST CHANGE VALVE (PUSHOVER VALVE)	1	EA
6	802763	O-RING #222, BUNA 90 SHORE	1	EA

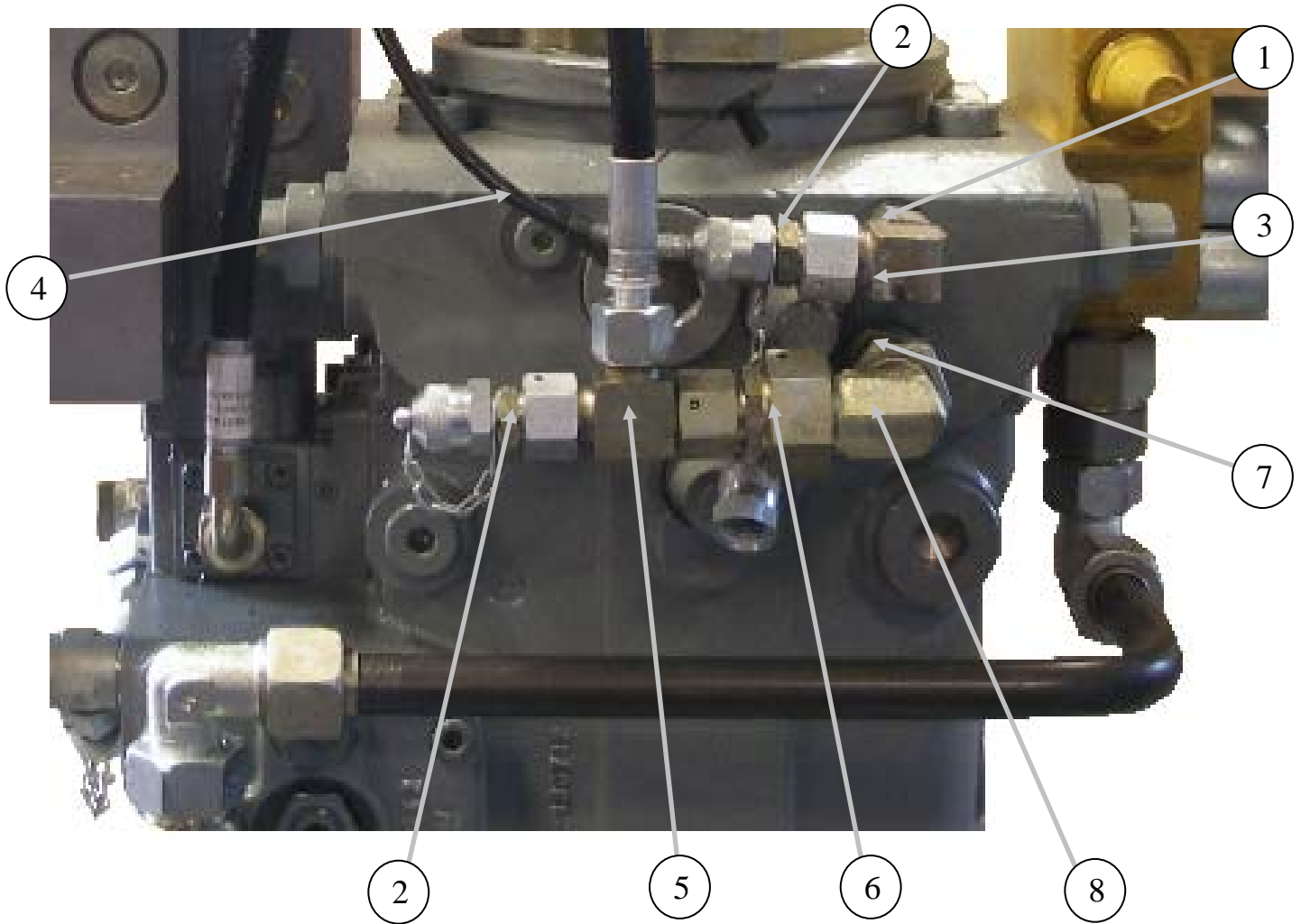
MAIN HYDRALIC PUMP 125cc REXROTH



ID #	PART #	PART DESCRIPTION	QUANTITY	
1	801875-008	BANJO ELBOW-18L X 3/4 BSPP	1	EA
2	87576	FLANGE ADAPTER, 1 1/4" SAE-30S	1	EA
3	801888-007	SWIVEL ELBOW-30S	1	EA
4	86265-003	SPLIT FLANGE-CODE 62-20 SAE	1	EA
5	802763	O-RING #222, BUNA 90 SHORE	1	EA
6	801506	ADAPTER-90L-35L (F) X 1.50 HOSE	1	EA
7	801526	ADAPTER-STR-35L (M) X M48X2.0 (M)	1	EA
8	801901-004	CHECK VALVE - 18L X 1/2 BSPP-PORT	1	EA
9	801888-005	SWIVEL ELBOW-18L	1	EA
10	803164	M14X100 BOLT	4	EA
11	803165	M14 LOCK WASHER	4	EA
12	801889-006	SWIVEL BRANCH TEE - 25S	1	EA
13	801875-004	BANJO ELBOW-25SX1 BSPP	1	EA

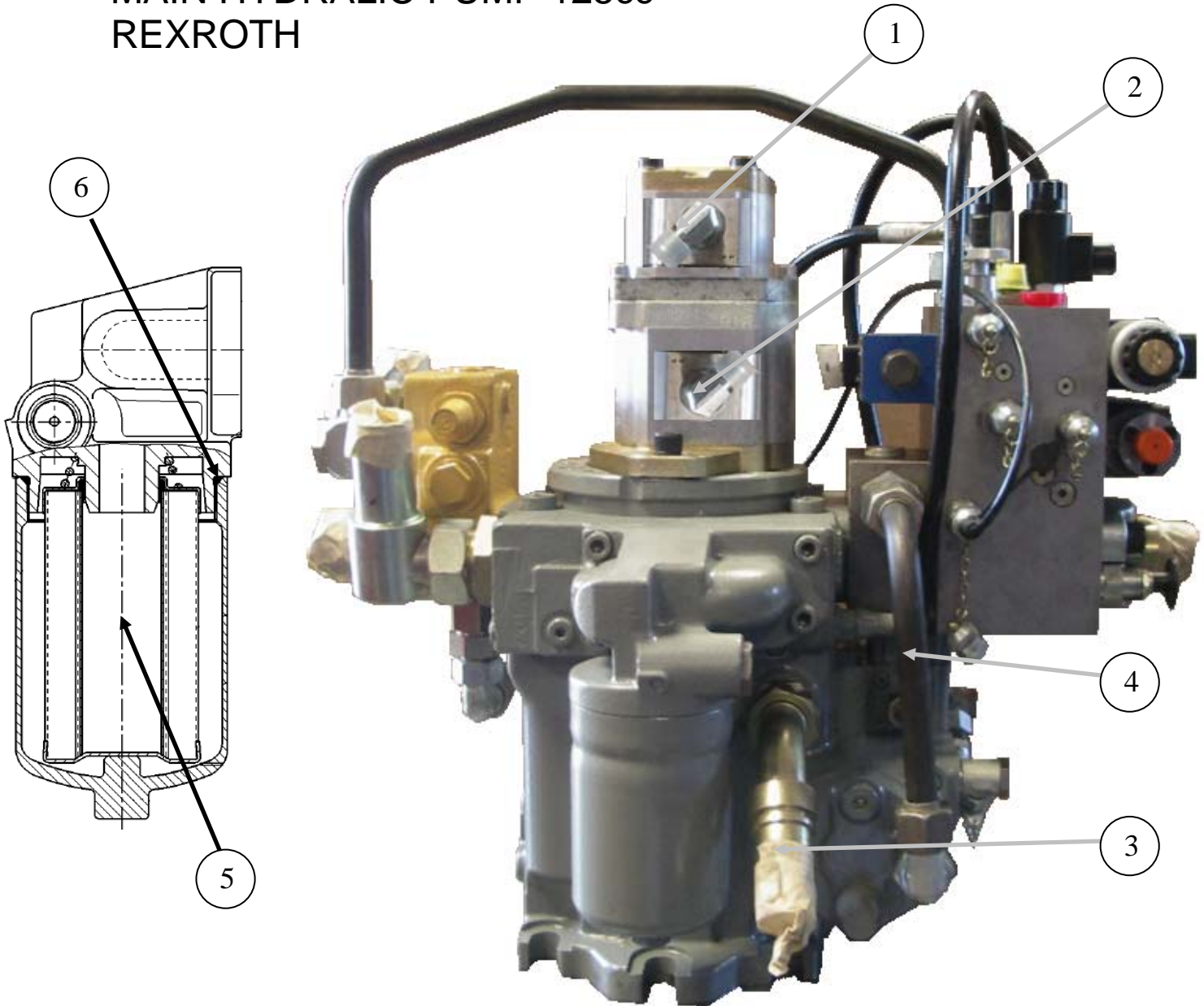
MAIN HYDRALIC PUMP 125cc
REXROTH

ID #	PART #	PART DESCRIPTION	QUANTITY	
1	87461	HOSE, THERMOPLASTIC, 12L ENDS-24"	2	EA
2	801795	TUBE- HYD -PTO ASSY	1	EA
3		HARD LINE	1	EA
4	801888-005	SWIVEL ELBOW-18L	1	EA
5	801874-004	BANJO ELBOW 18LX22MX1.5	1	EA
6	87462	HOSE, THERMOPLASTIC, 12L ENDS-16"	1	EA
7	W-104949	FLUSHING VALVE, REXROTH	1	EA
8	802763	O-RING #222, BUNA 90 SHORE	1	EA

MAIN HYDRALIC PUMP 125cc
REXROTH

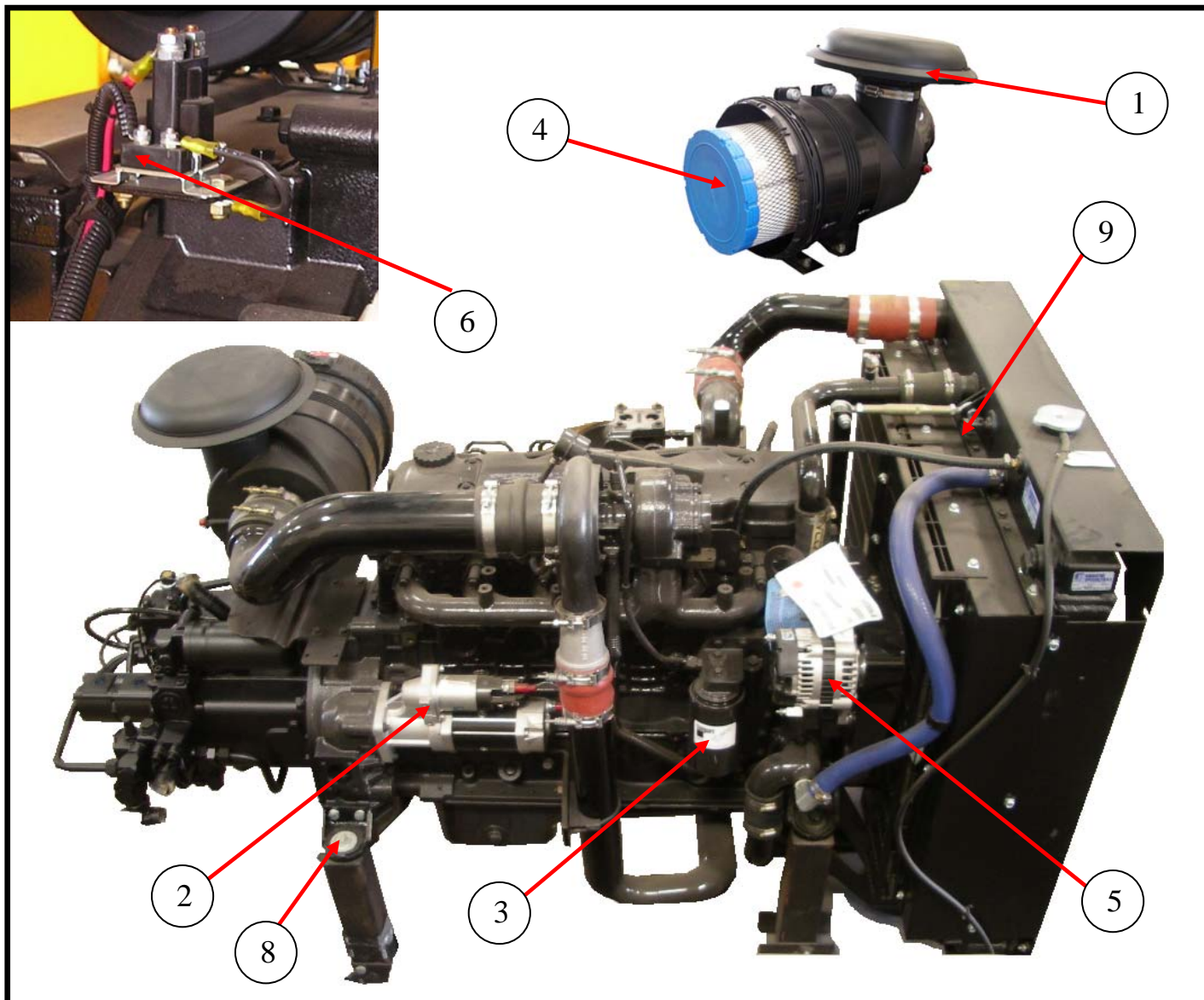
ID #	PART #	PART DESCRIPTION	QUANTITY	
1	801872-004	ADAPTOR – 12L X M18 X 1.5	1	EA
2	W-105076	FITTING, GAUGE FITTING-L12	2	EA
3	801888-003	SWIVEL ELBOW-12L	1	EA
4	87614	MINICHECK HOSE, 24" 16-20 ENDS	1	EA
5	801890-003	SWIVEL RUN TEE, 12L	1	EA
6	801891-008	TUBE REDUCER-18LX12L	1	EA
7	801872-007	ADAPTOR 18LXM22 1.5	1	EA
8	801888-005	SWIVEL ELBOW – 18L	1	EA

MAIN HYDRALIC PUMP 125cc REXROTH



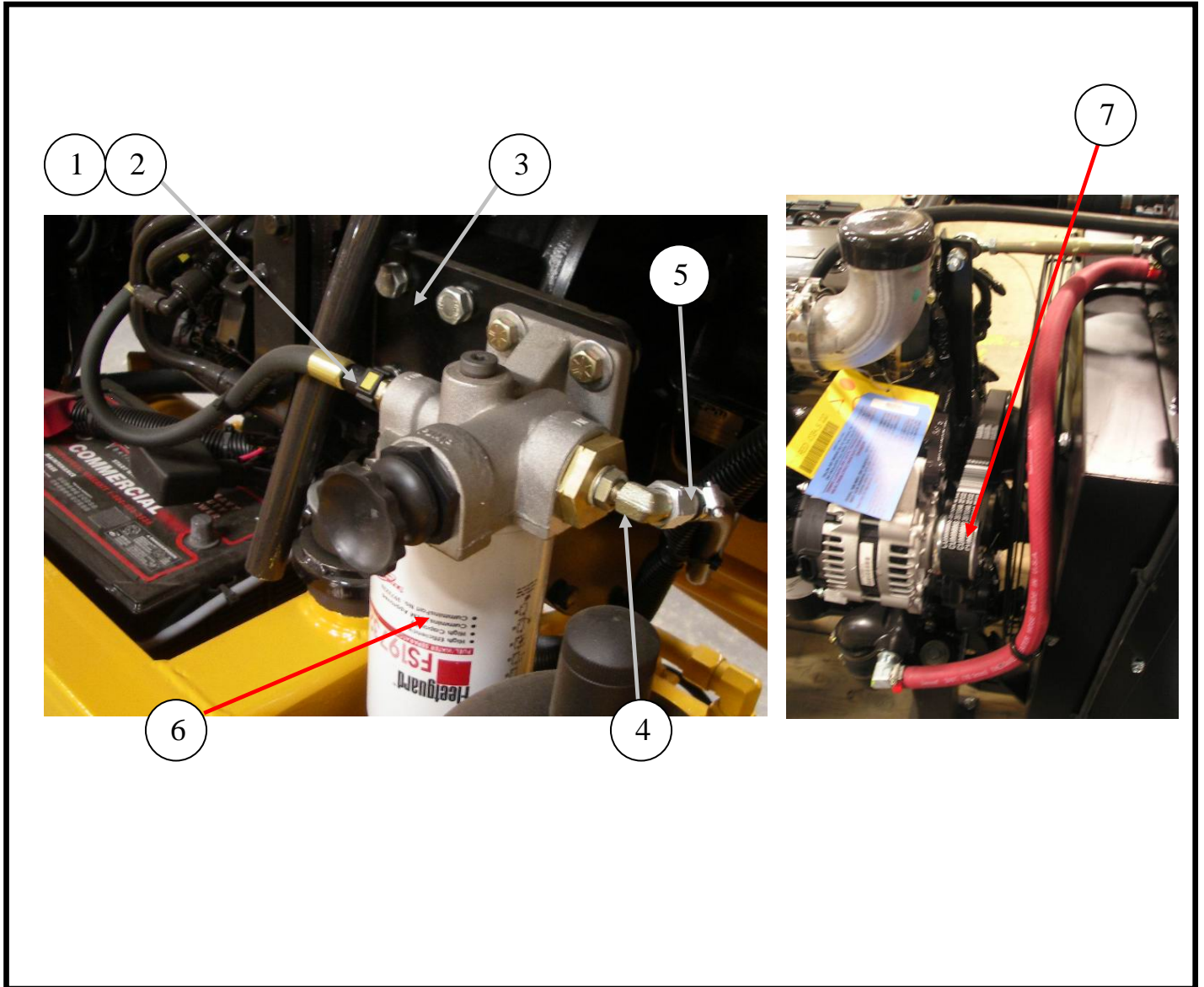
ID #	PART #	PART DESCRIPTION	QUANTITY	
1	86728-014	ELBOW, MB-MJ90-10-10	1	EA
2	86900-023	ELBOW, MB-MJ90-12-12	1	EA
3	W-105169	ADAPTOR – 49-28L (F) 1 ¼" HOSE	1	EA
4	801793	TUBE – HYD – PTO ASSY	1	EA
5	801499	FILTER, FOR AVG125 CHARGE PUMP	1	EA
6	801499-ORING	FILTER O-RING 02.079- 78,97 X 3,53-S-FKM70	1	EA

ENGINE, PUMPS, AND FILTERS CONTINUED



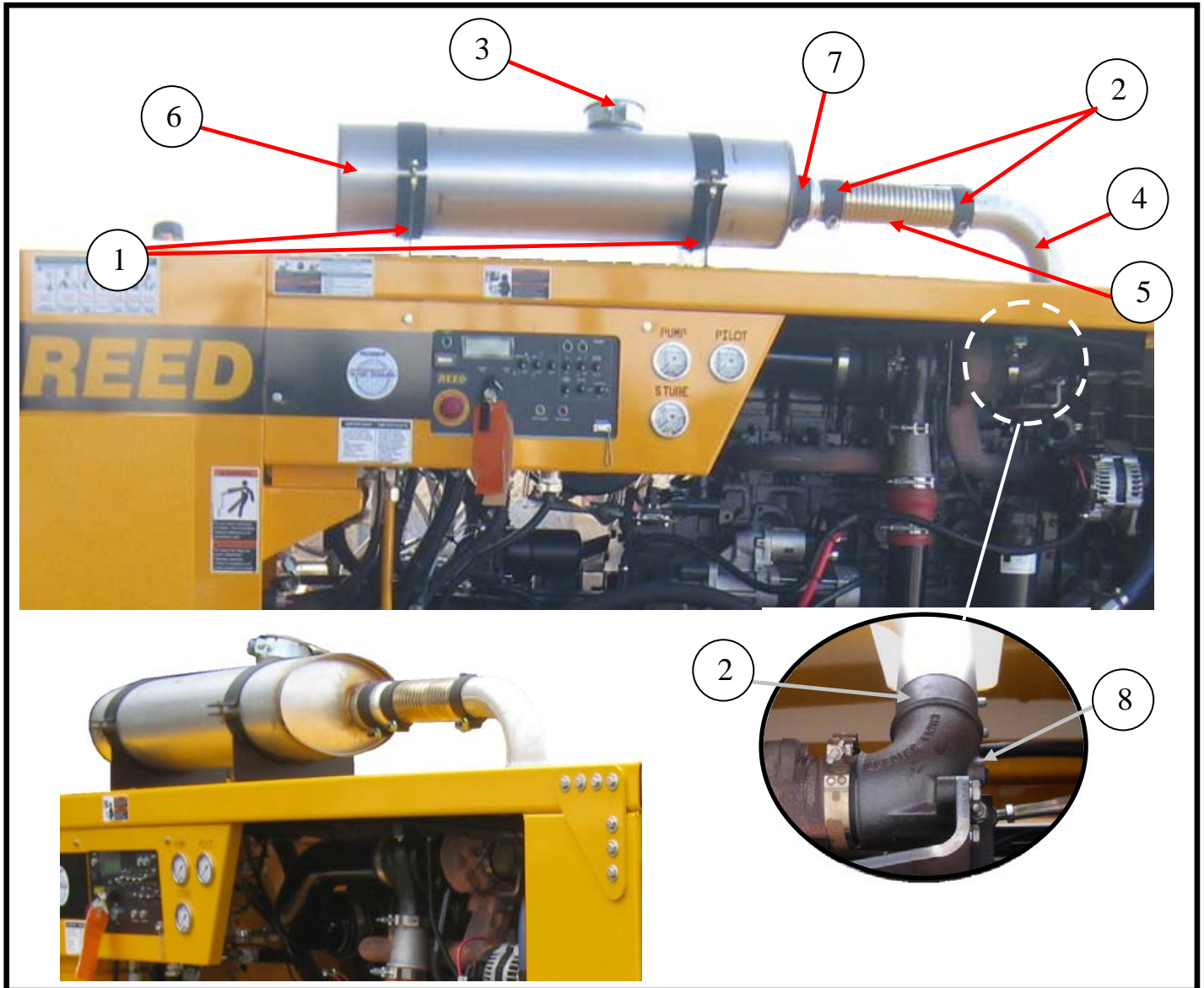
ID #	PART #	PART DESCRIPTION	QUANTITY	
1	87725-013	INLET HOOD AIR FILTER 5" FOR 87572 6 CYL CUMMINS	1	EA
2	87725-011	STARTER MOTOR FOR 160 &220 HP	1	EA
3	87725-001	OIL FILTER	1	EA
4	87725-004	AIR FILTER ELEMENT	1	EA
5	87725-007	ALTERNATOR-87572	1	EA
6	87541	RELAY STARTER 12VDC-SELL W/87544	1	EA
7	87669	PIGTAIL HARNESS, FOR CUMMINS ALTERN	1	EA
8	73269	GROUND STRAP	1	EA
9	87725-025	LIQUID LEVEL SENSOR CUMMINS	REF	EA

ENGINE, PUMPS, AND FILTERS CONTINUED



ID #	PART #	PART DESCRIPTION	QUANTITY	
1	88036	FITTING FUEL LINE, QUICK DISCONNECT	1	EA
2	88037	WASHER SEALING FOR 88036 FITTING	1	EA
3	87793	MOUNT FUEL FILTER, C SER CUMMINS	1	EA
4	87567	FITTING 90DEG METRIC TO JIC	2	EA
5	87566	FITTING BARBED JIC-STEM, 3/8-3/8	2	EA
6	87725-003	FUEL/WATER SEPARATOR REPLACEMENT	1	EA
7	87725-005	FAN BELT	1	EA

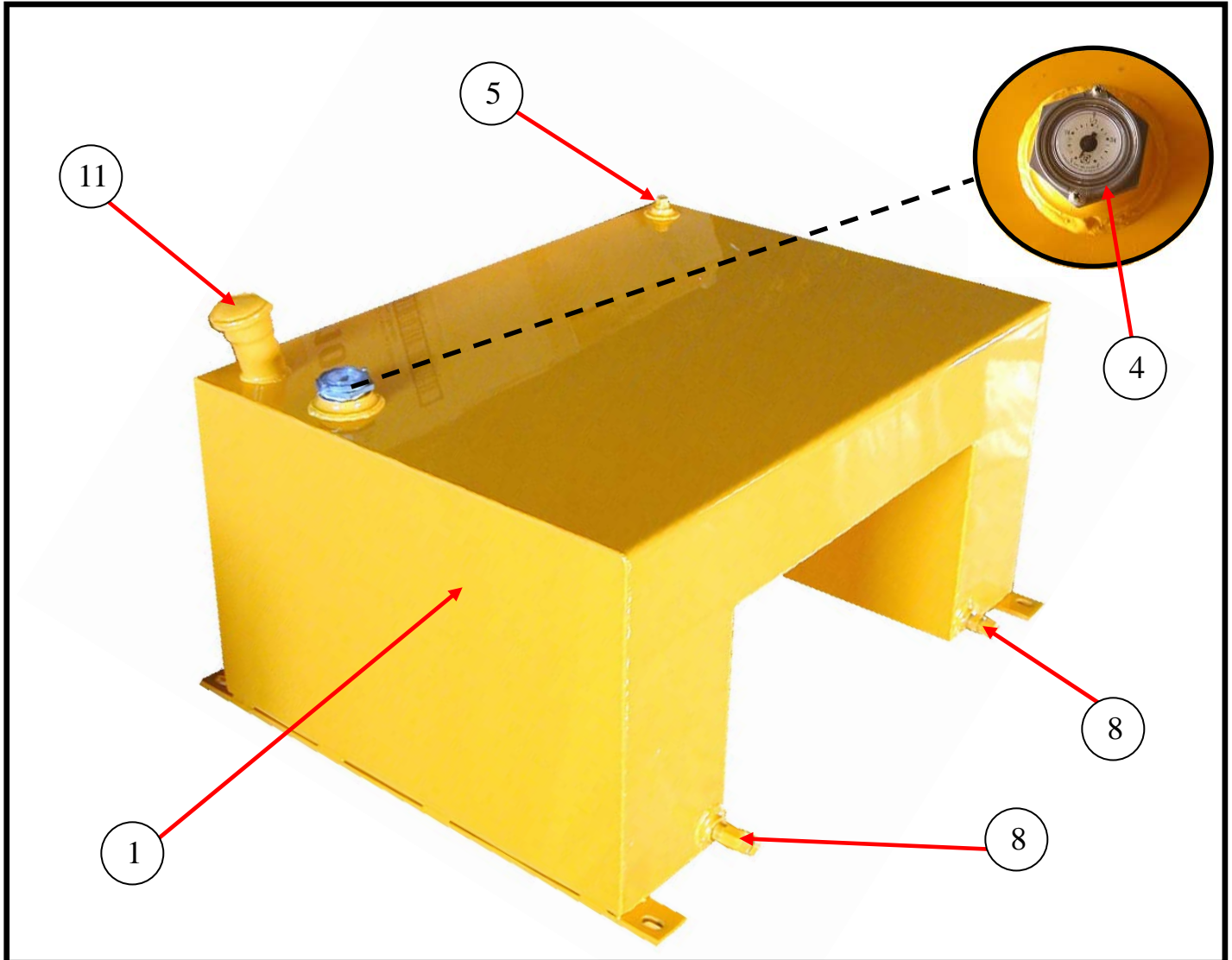
EXHAUST



ID #	PART #	PART DESCRIPTION	QUANTITY	
1	87585	BRACKET MUFFLER MOUNT	2	EA
2	87578	EXHAUST CLAMP, BENT BOLT 3"	3	EA
3	77597	RAIN CAP 4" ZINC	1	EA
4	87983	EXHAUST ELBOW 3" OD-ID 6" RAD	1	EA
5	87579	EXHAUST FLEX TUBE, 3" 12" LONG	1	EA
6	87583	MUFFLER C SER CUMMINS	1	EA
7	87581	EXHAUST CLAMP, BENT BOLT 3.5"	1	EA
8	74679	PLUG 1/4" NPT SOCKET HEAD	1	EA

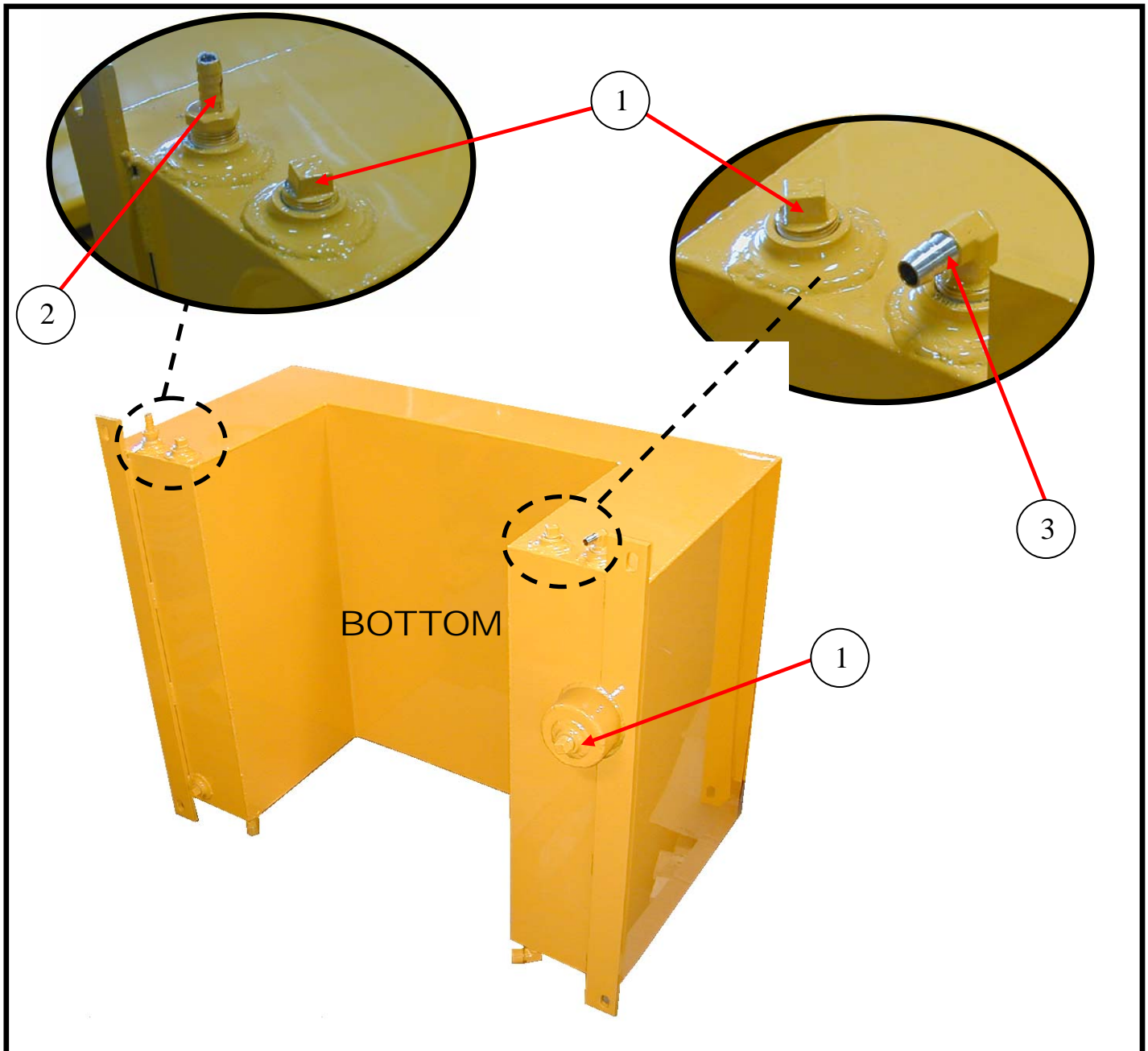
TANKS

FUEL TANK ASSEMBLY



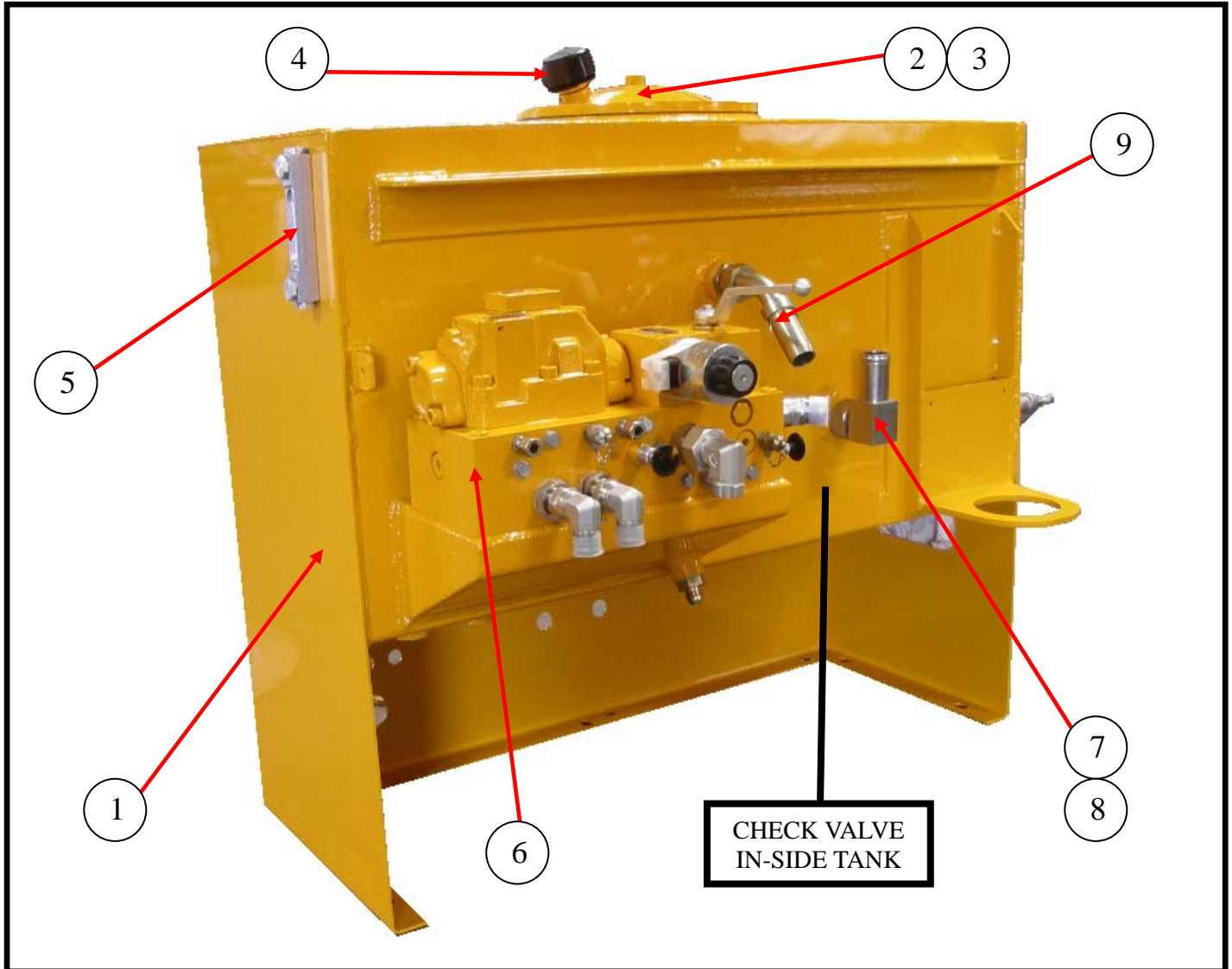
ID #	PART #	PART DESCRIPTION	QUANTITY	
	87536	FUEL TANK ASSY C-SERIES	1	EA
1	87535	FUEL TANK WELDMENT, C-SERIES-2007	1	EA
2	77191	FUEL GAUGE, 18 IN	1	EA
3	10297	PLUG-GALV 1/2" (AS NEEDED)	REF	EA
4	74716	HOSE-3/8 SAE 30R7 BACK	10	FT
5	10577	CLAMP-HOSE FOR 1/2" OD	4	EA
6	85669-004	HOSE, 8FLH-10FJX-10FJX904-24.00	1	EA
7	85570	FUEL CAP, 1 1/2" IN VENTED	1	EA

FUEL TANK ASSEMBLY CONT



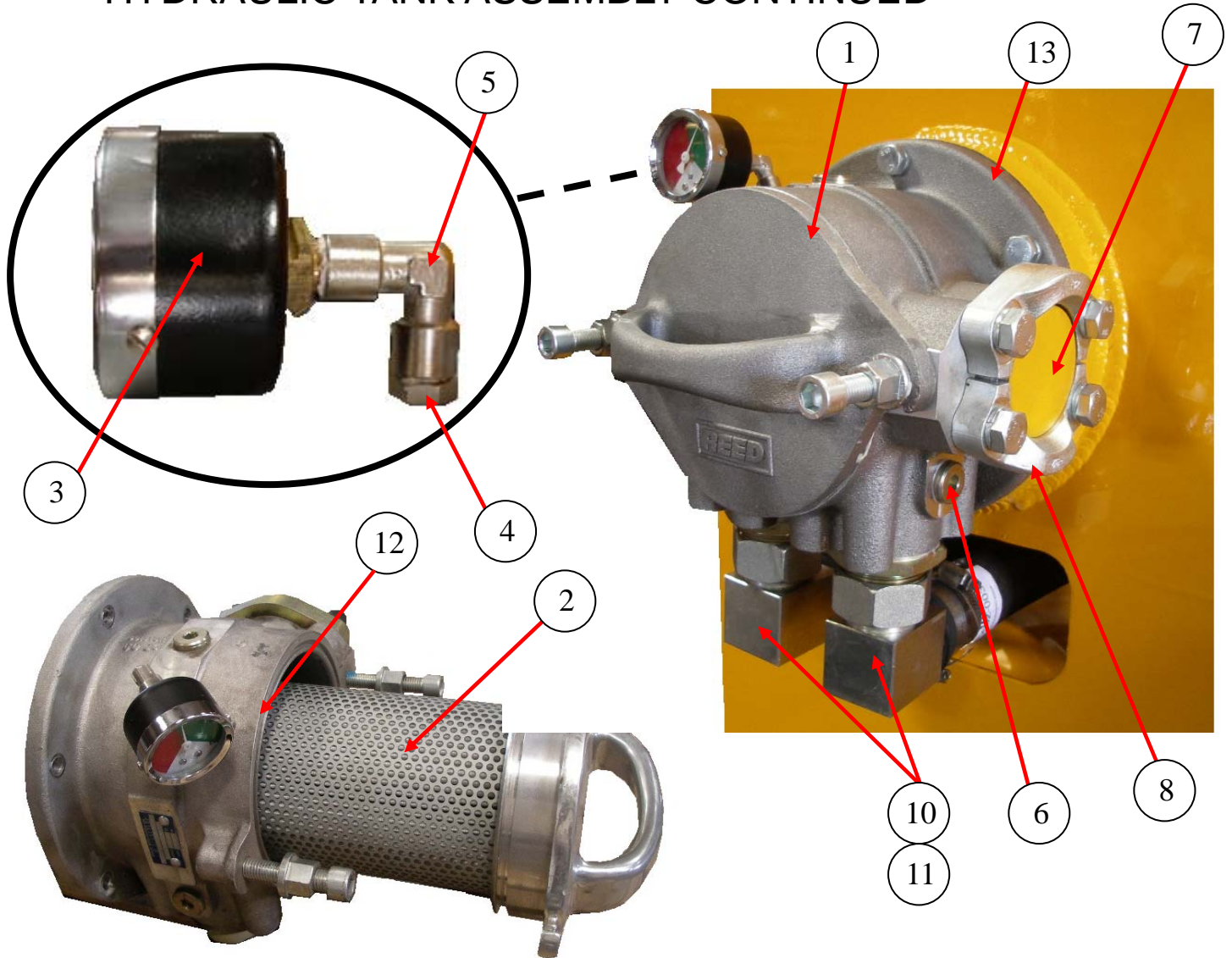
ID #	PART #	PART DESCRIPTION	QUANTITY	
1	10297	PLUG-GALV 1/2" (AS NEEDED)	REF	EA
2	87545	FITTING BARBED-MPT, 3/8-1/2MPT (STRAIGHT)	1	EA
3	87770	FITTING BARBED 3/8 TUBE-1/2" MPT (90 DEG)	1	EA

HYDRAULIC TANK ASSEMBLY



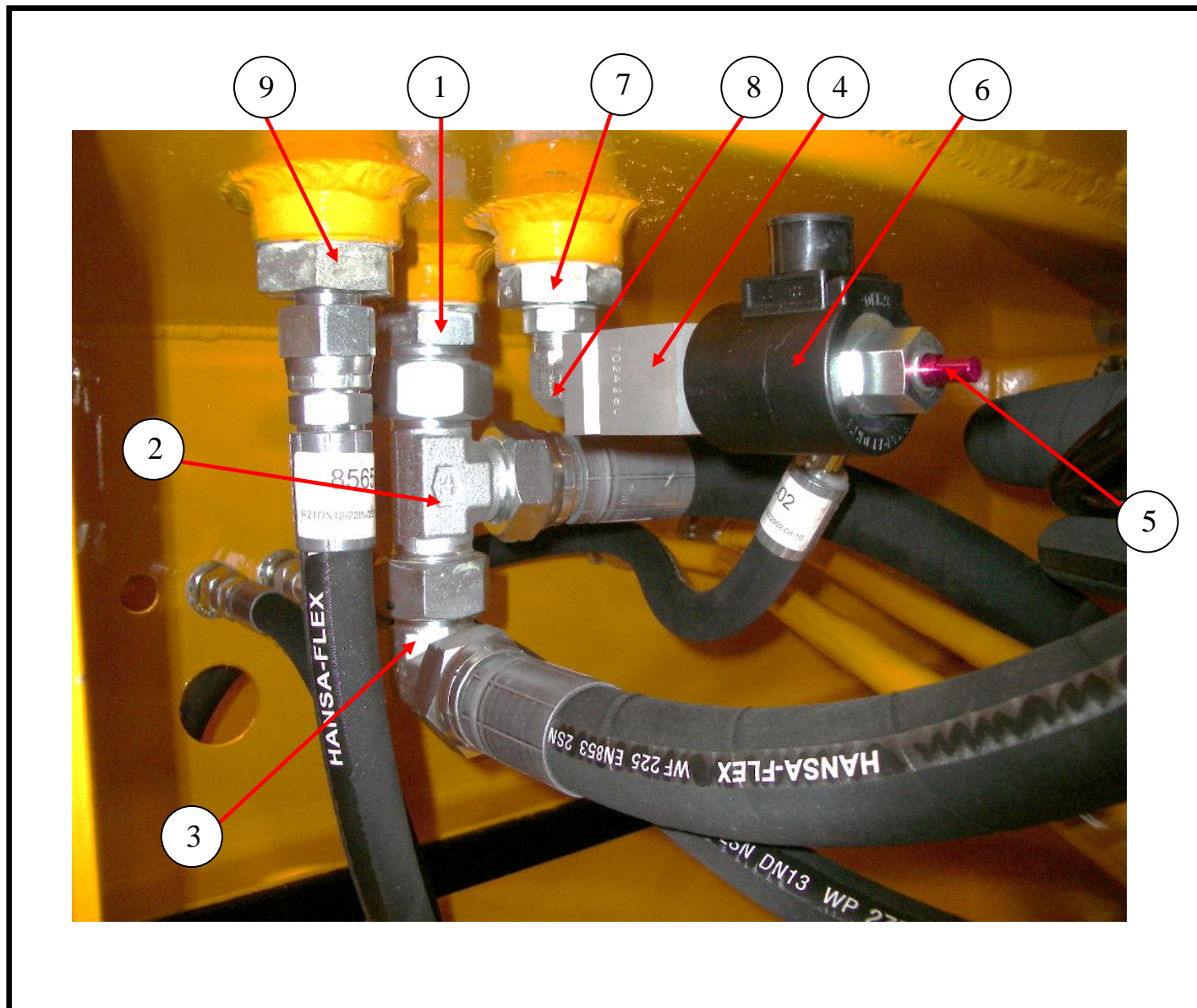
ID #	PART #	PART DESCRIPTION	QUANTITY	
	87569	HYD TANK ASSY C-SERIES	1	EA
1	87700	HYDRAULIC TANK WELDMNT, C-SERIES	1	EA
2	85529	ENDCOVER KIT, 12 IN W/DRAIN	1	EA
3	85867	GASKET- END COVER 12"	1	EA
4	85537	FILLER BREATHER, 3/4 NPT	1	EA
5	74509	GAUGE, SIGHT	1	EA
6	87334	MANIFOLD, S TUBE CIRCUIT ASSY	1	EA
7	801526	ADAPTER STR-35L (M) X M48X2.0 (M)	1	EA
8	801506	ADAPTER 90-35L (F) X 1.50 HOSE	1	EA
9	W-105169	ADAPTER - 45-28L (F) X 1 1/4" HOSE	1	EA
10	77282	CHECK VALVE 25 PSI 1" NPT	1	EA

HYDRAULIC TANK ASSEMBLY CONTINUED



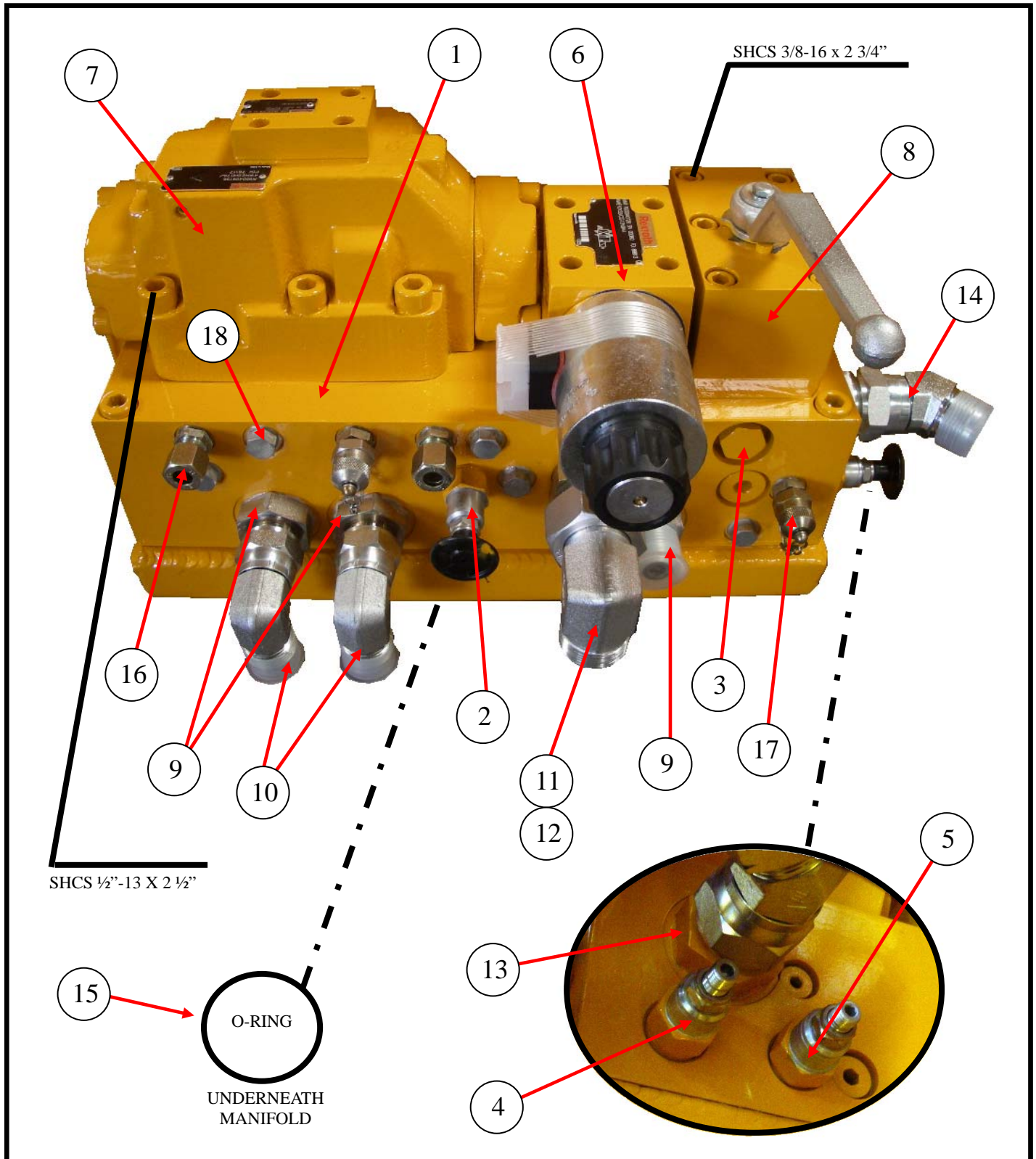
ID #	PART #	PART DESCRIPTION	QUANTITY	
1	801496	FILTER, SUCTION IN TANK	1	EA
2	802585	ELEMENT, 25 MICRON, PN 801496	1	EA
3	W-106872	GAUGE, SUCTION FILTER	1	EA
4	803192	BRASS BSPT HEX NIPPLE, FOR PED GAUGE	1	EA
5	803193	BRASS 90 FEMALE ELBOW, FOR PED GAUGE	1	EA
6	801871	PLUG-3/8 BSPP	3	EA
7	801937	FLANGE PLUG -2 IN CODE 61	1	EA
8	86264-006	SPLIT FLANGE-CODE 61-32 SAE	1	EA
9	801526	ADAPTER STR-35L (M) X M48X2.0 (M)	2	EA
10	801506	ADAPTER 90-35L (F) X 1.50 HOSE	2	EA
11	802287	WORM CLAMPS 1.25-2.13 DIAMETER	4	EA
12	W-106883	O-RING 126MMX5.33MM-FOR 801496 COVER	REF	
13	W-106884	O-RING 146MMX5.33MM-FOR 801496 HOUSING	REF	

HYDRAULIC TANK ASSEMBLY CONTINUED



ID #	PART #	PART DESCRIPTION	QUANTITY	
1	801876-008	ADAPTER-25S X SAE 16	2	EA
2	801890-006	SWIVEL RUN TEE – 25S	1	EA
3	801888-006	SWIVEL ELBOW – 25S	1	EA
4	87154	SOLENOID VALVE ASSY, 2P-2W, NO, 12V DIN	1	EA
5	87154-C	CARTRIDGE FOR 87154 (SPARE PART)	REF	EA
6	87249	COIL 12V DC P/N 87248 (SPARE PART)	REF	
7		MB-FB-16-8	1	EA
8	81003	FITTING MB-MB-90-8-8	1	EA
9		MB-MJ-16-10	1	EA

S-TUBE CIRCUIT MANIFOLD ASSEMBLY





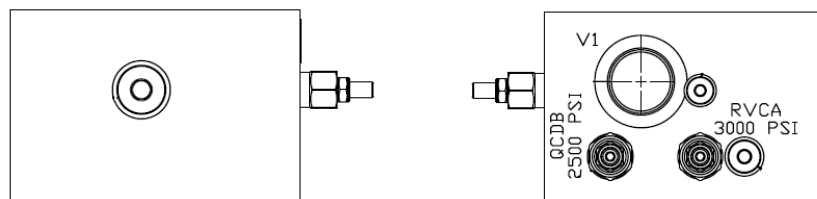
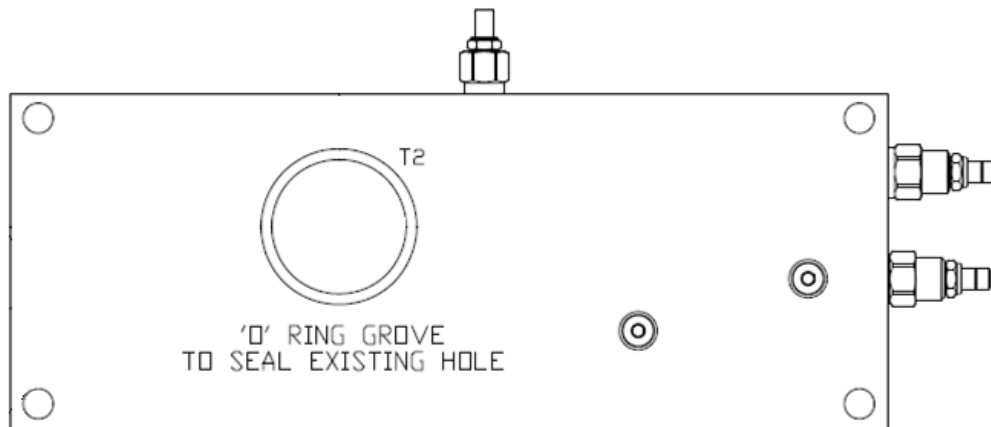
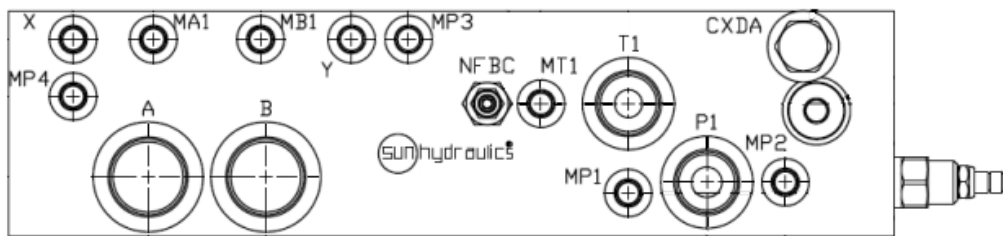
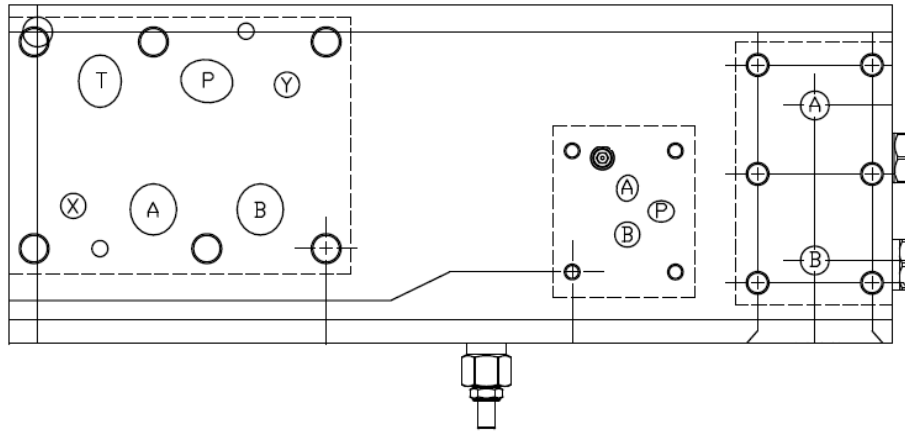
C50SCRV03

PARTS

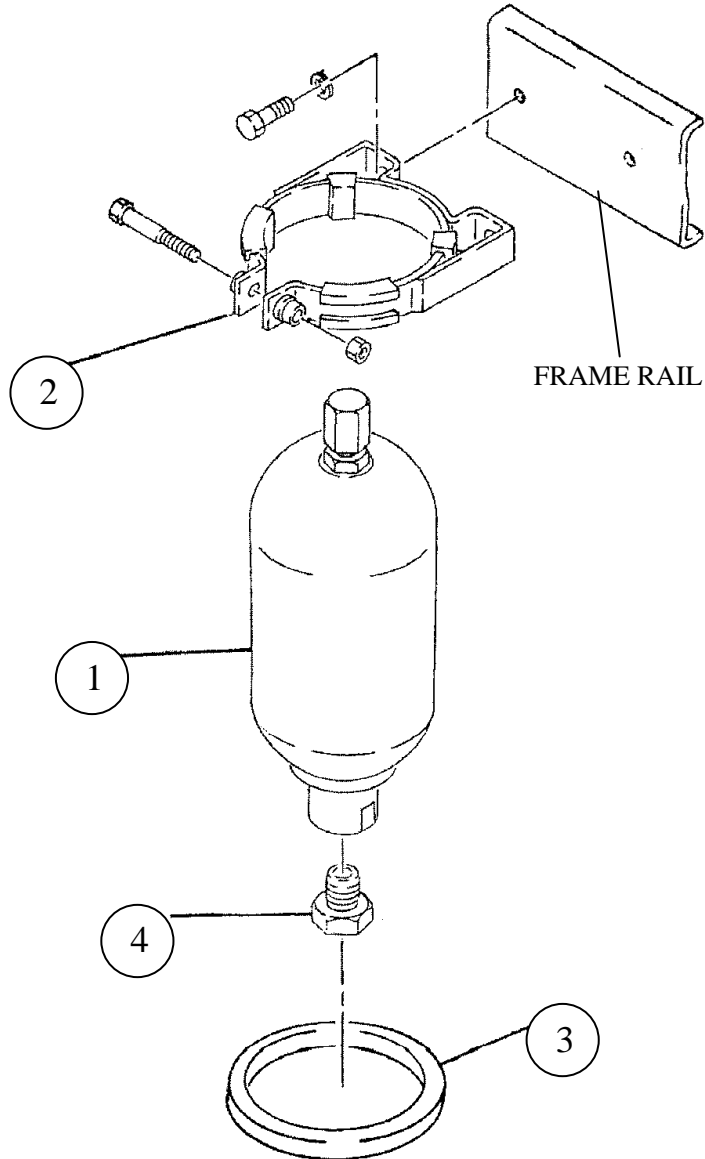
13822 Oaks Avenue
Chino, CA 91710
reedpumps.com
(909) 287 - 2100

ID #	PART #	PART DESCRIPTION	QUANTITY	
	87334	MANIFOLD, S TUBE CIRCUIT ASSY (COMPLETE)		
1	87918	MANIFOLD MACHINED BLOCK FOR 87334	1	EA
2	87919	CARTRIDGE FLOW CONTROL FOR 87334	1	EA
3	87920	CARTRIDGE CHECK VALVE FOR 87334 (CXDA)	1	EA
4	87921	CARTRIDGE RELIEF FOR 87334 (RVCA)	1	EA
5	85704	UNLOADER VALVE CARTRIDGE, FOR 87334 (QCDB)	1	EA
6	87922	VALVE, 4/3 4WE10Y3 FOR 87334	1	EA
7	74935	VALVE-AUXILARY DIRECTIONAL	1	EA
8	85705	BALL VALVE, FOR 87334	1	EA
9	86900-027	ADAPTER MB-MJ-16-12	3	EA
10	86905-009	ELBOW MJ-FJX-90-12-12	2	EA
11	801888-006	SWIVEL ELBOW -25S	1	EA
12	801876-008	ADAPTER 25S X SAE 16	1	EA
13	86900-028	ADAPTER MB-MJ-16-16	1	EA
14	88139-016	ELBOW MJ-FJX-45-16-16	1	EA
15	86946	O-RING #230 BUNA 90DUR	1	EA
16	87468	ADAPTER -STR 10L(M) X SAE 4	2	EA
17	87660	TEST POINT M16X2-SAE 4 MALE	2	EA
18	87568	PLUG O-RING BOSS SAE 4	6	EA

S-TUBE MANIFOLD PORTING

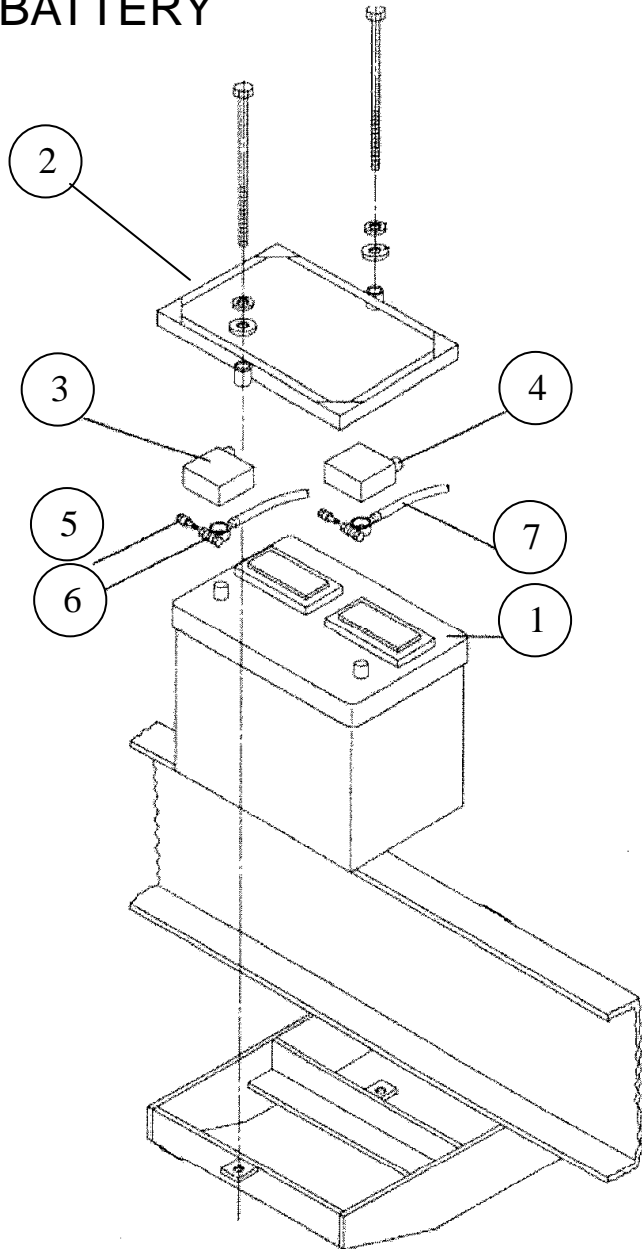


ACCUMULATOR ASSEMBLY



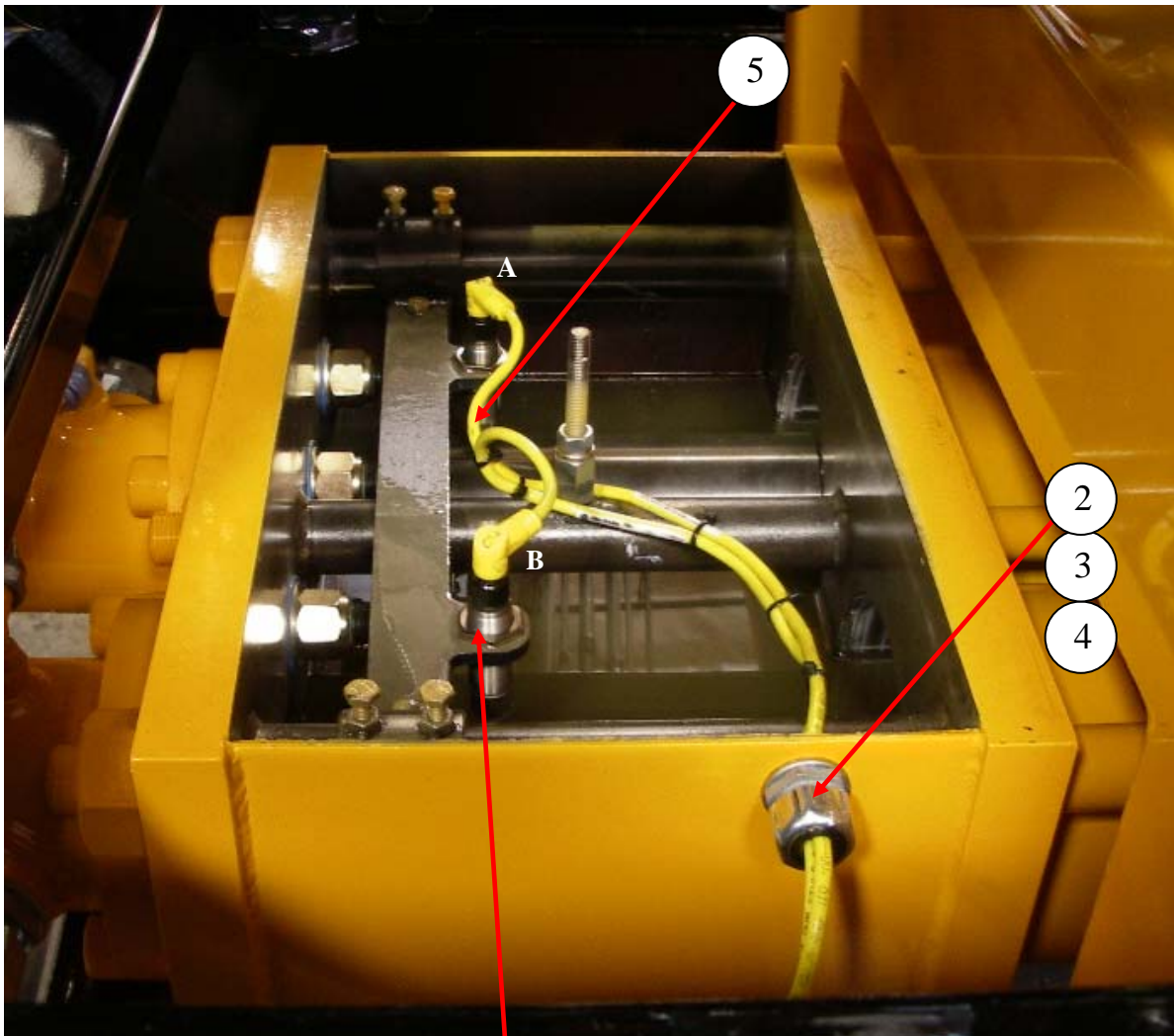
ID #	PART #	PART DESCRIPTION	QUANTITY	
1	W-103616	ACCUMULATOR 6 LITER	1	EA
2	73171	ACCUMULATOR BKT.W/CLOSING HARDWARE	1	EA
3	801028	GROMMET, ACCUMULATOR	1	EA
4	87471	ADAPTER-STR 1 1/4" BSPP X JIC16	1	EA
5	W-105630	BLADDER REPAIR KIT FOR W-103616	1	EA

ELECTRICAL GROUP BATTERY



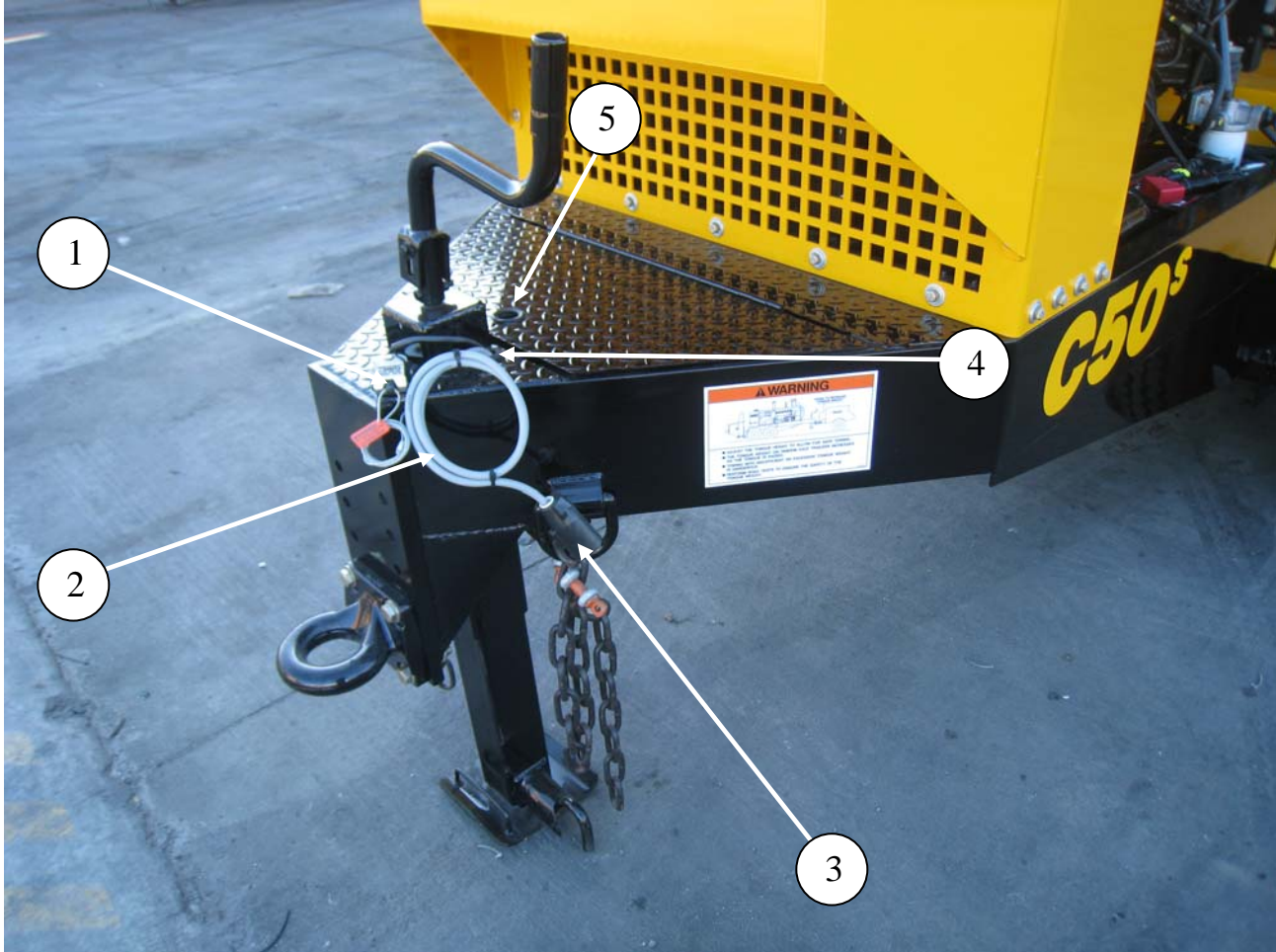
ID #	PART #	PART DESCRIPTION	QUANTITY	
	87930	ELECTRICAL GROUP C- SER 2008 CUMMINS	1	EA
1	77075	BATTERY-12V 1000 CCA31	1	EA
2	72945	BATTERY HOLD DOWN	1	EA
3	87221	INSULATOR, RIGHT ELBOW-RED	1	EA
4	87222	INSULATOR, LEFT ELBOW-BLACK	1	EA
5	87223	EXTENDER, TOP TERMINAL BOLT	2	EA
6	87732	CABLE-43" BATTERY-RED 2/0	1	EA
7	87733	CABLE-37" BATTERY-BLACK 2/0	1	EA

PROXIMITY SWITCHES



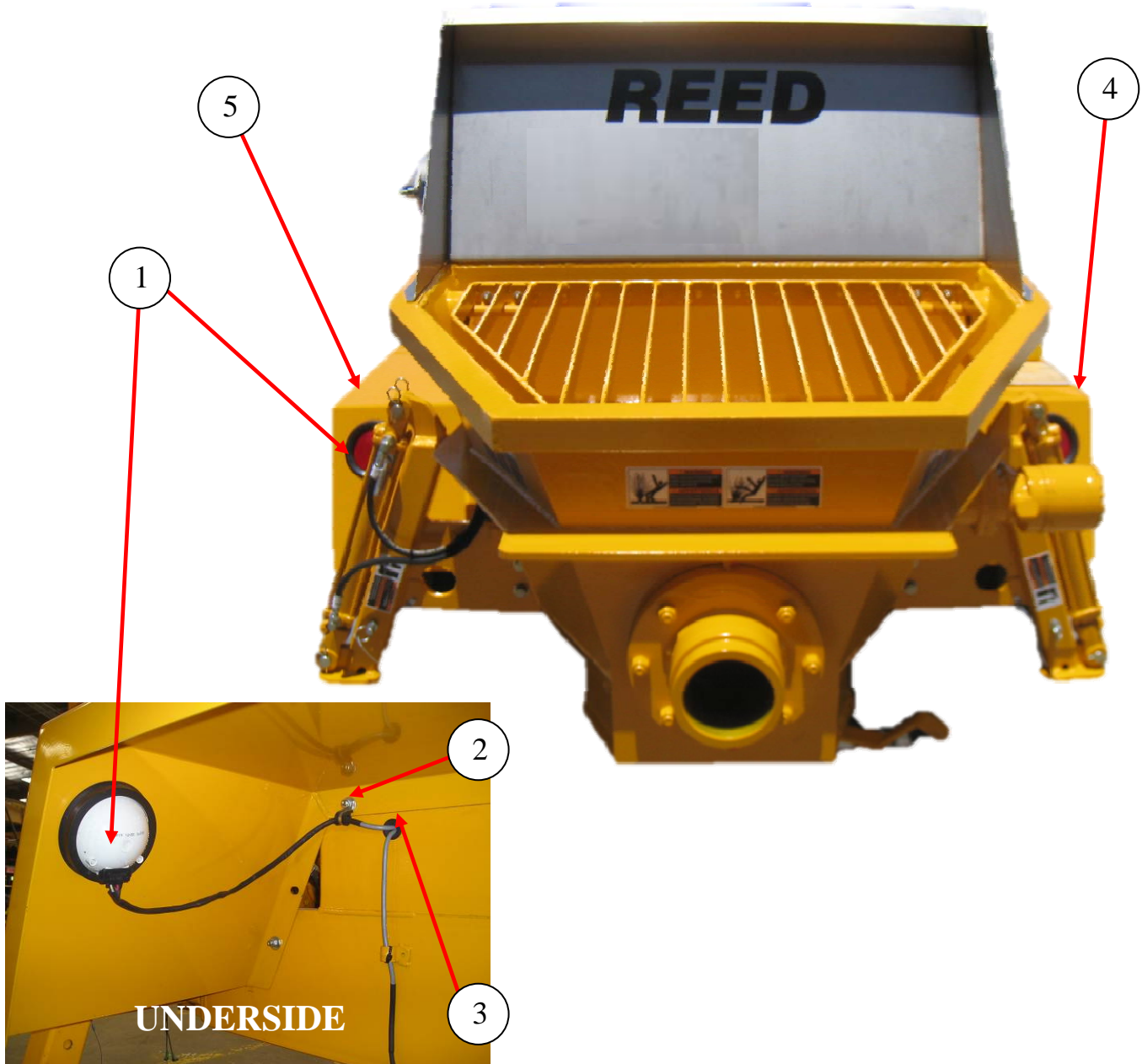
1

ID #	PART #	PART DESCRIPTION	QUANTITY	
1	77998	PROXIMITY SENSOR NPN FLUSH BOX MOUT	2	EA
2	10522	STRAIN RELIEF	1	EA
3	30240	GASKET LIQUID TITE 1/2" ELECT	1	EA
4	10528	NUT-1/2" BONDING TYPE LOCK	1	EA
5	77990	CABLE, PROXIMITY SWITCH, 5M	2	EA

TRAILER HARNESS AND BREAKAWAY

ID #	PART #	PART DESCRIPTION	QUANTITY	
1	77705	BREAK-AWAY KIT	1	EA
2	86532	TRAILER HARNESS- C-SERIES	1	EA
3	86579	TRAILER PLUG 7C FLAT PI	1	EA
4	72949	GROMMET	1	EA
5	72813	GROMMET	1	EA

TAIL LIGHTS, FENDERS



ID #	PART #	PART DESCRIPTION	QUANTITY	
1	72948	TAIL LIGHT	2	EA
2	87665	LOOM CLAMP 7/8"	2	EA
3	72949	GROMMET	2	EA
4	85394	FENDER, RH, C SERIES PAINTED	1	EA
5	85395	FENDER, LH, C SERIES PAINTED	1	EA

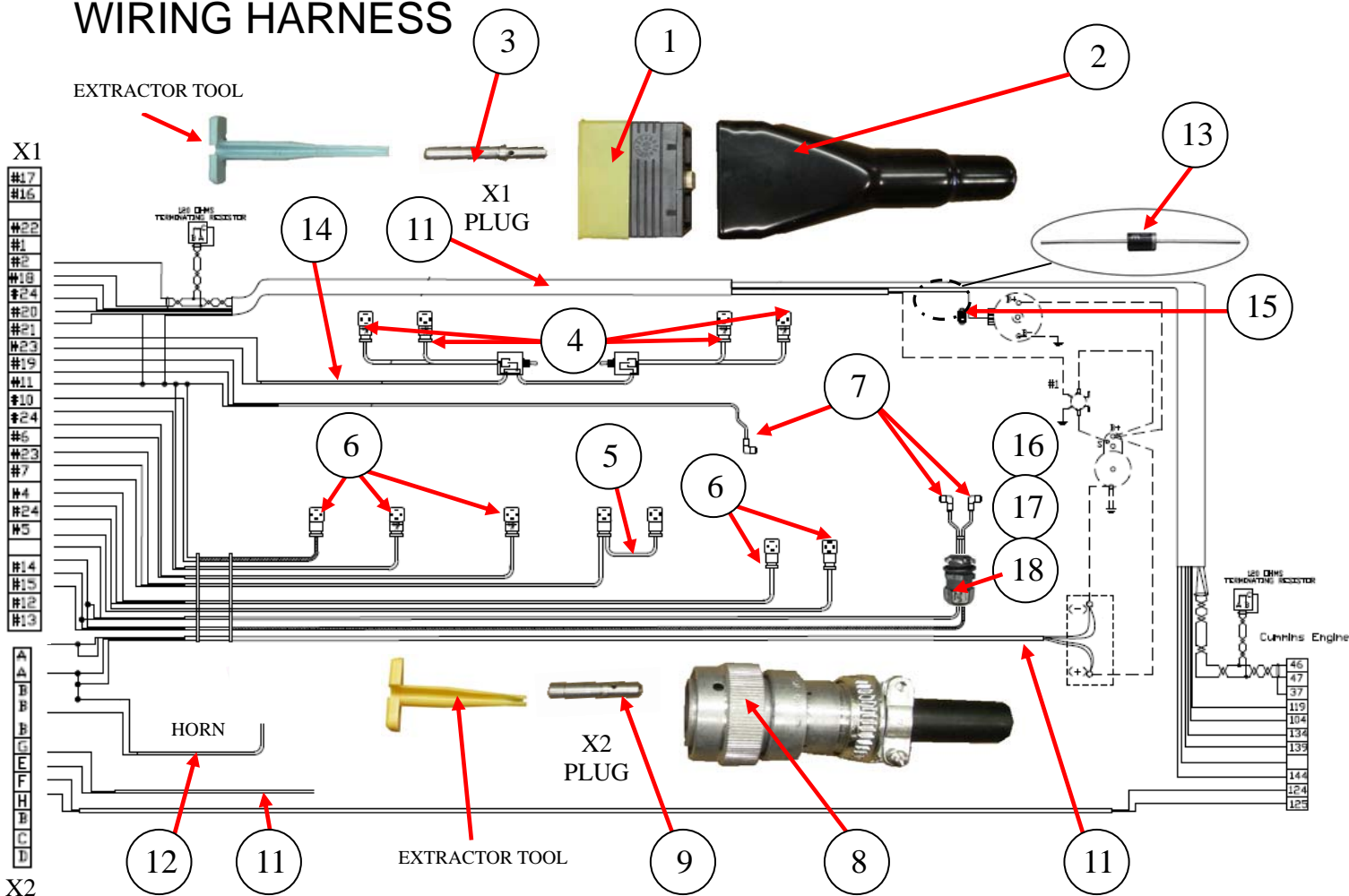


C50SCRV03

PARTS

13822 Oaks Avenue
Chino, CA 91710
reedpumps.com
(909) 287 - 2100

WIRING HARNESS



ID #	PART #	PART DESCRIPTION	QUANTITY	
	87562-2	WIRING HARNESS C- SER HOPPER SAFETY	1	EA
1	BW10145	PLUG CONNECTOR	1	EA
2	BW10146	BOOT, FOR BW10145 PLUG	1	EA
3	BW10147	PIN, FOR BW10145 PLUG	24	EA
4	87540	CABLE SOLENOID VALVE, WITH DIN PLUG (ELEC-OUTRIGGER)	4	EA
5	88243	CABLE WITH 2 DIN PLUGS, 5M LONG, MURR	1	EA
6	87540-1	CABLE WITH 1 DIN PLUG, 5M LONG, MURR	5	EA
7	77990	CABLE, PROXIMITY SWITCH, 5M	3	
8	87456	PLUG CONNECTOR, 8 PIN	1	EA
9	87457	PIN, FOR 87456 PLUG	8	EA
10	85615	CABLE, 14AWG-2C, PVC-GRY	15.5	FT
11	85617	CABLE, 14AWG-4C, PVC-GRY	8.75	FT
12	85618	CABLE, 16AWG-2C, PVC-GRY	4.00	FT
13	77640	DIODE, 1N4003	1	EA
14	20169	CABLE, 18AWG-3C, PVC-BLK	12	FT
15	87669	PIGTAIL HARNESS, FOR CUMMINS	1	EA
16	10522	STRAIN RELIEF	1	EA
17	10528	LOCKING NUT 1/2"	1	EA
18	30240	GASKET, LIQUID, TITE 1/2"	1	EA

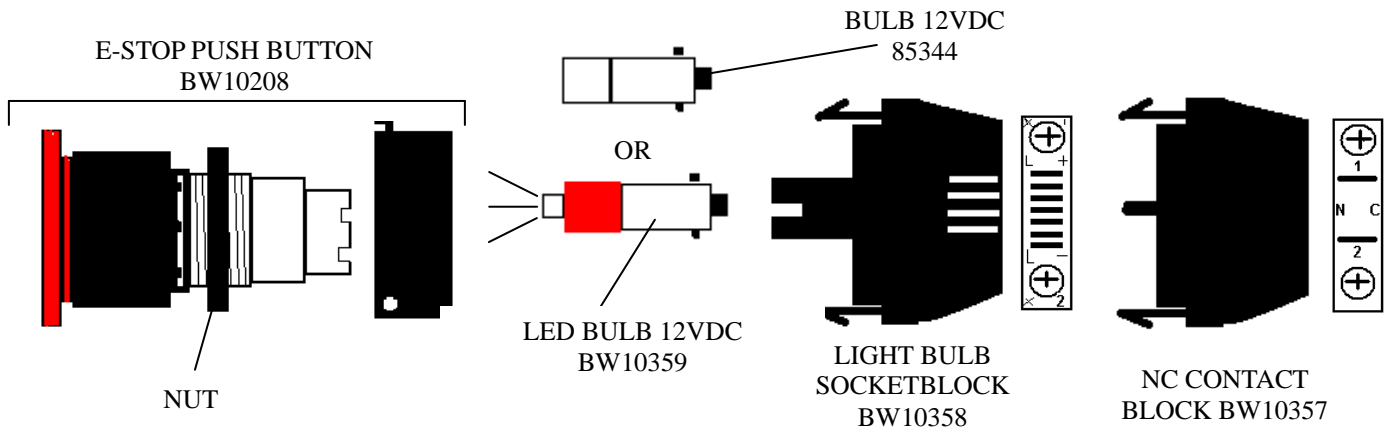
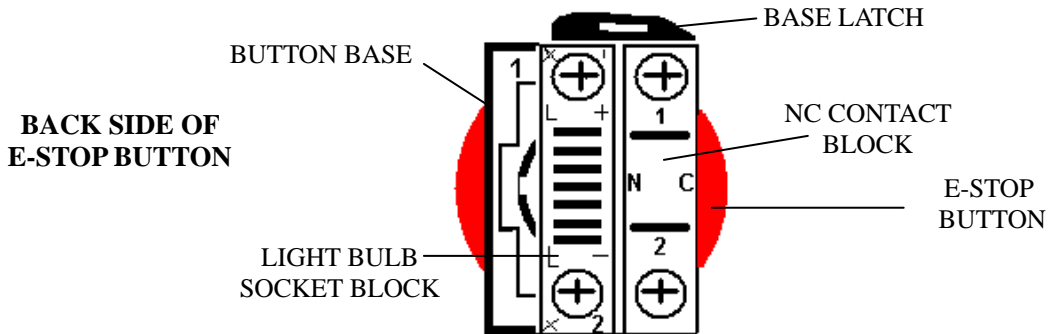
CONTROLS

B/C-SERIES CONTROL BOX

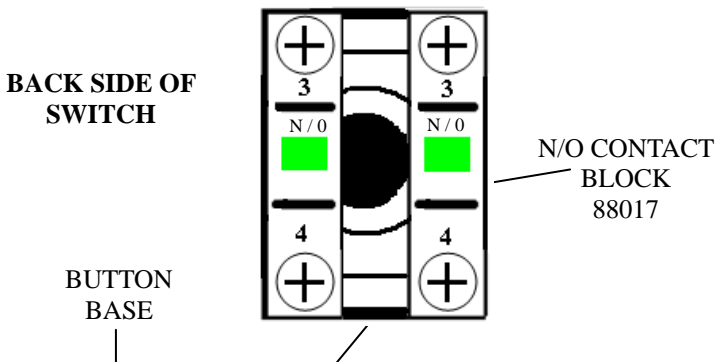
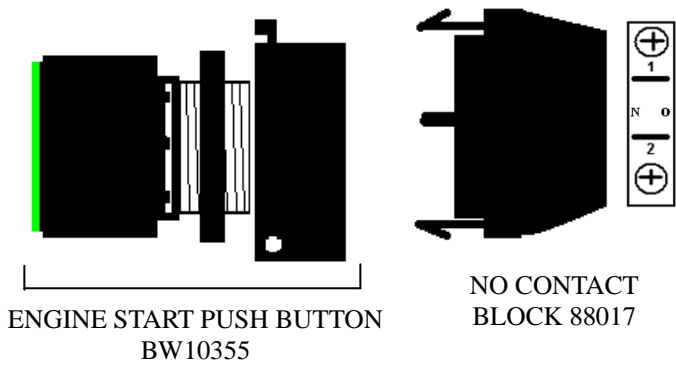


ID #	PART #	PART DESCRIPTION	QUANTITY	
	87346-2	CONTROL BOX, REV-H	1	EA
1	BW10372	SW,TOGGLE, (ON-OFF-ON) VIBRATOR	1	EA
2	BW10207	SW,TOGGLE, (ON-OFF) PUMP ON/OFF & FWD/REV	2	EA
3	BW10223	SW,TOGGLE, (ON-ON) LOCAL/REMOTE	1	EA
4	BW10206	SW,TOGGLE,(ON-OFF) STROKE CHANGE& HORN	2	EA
5	BW10205	SW,TOGGLE,(ON-OFF-ON) RPM+/- & VOLUME+/-	2	EA
6	BW10361	SW, SEALING BOOT	9	EA
7	BW10208	MUSHROOM HEAD MAINTANED BUTT.	1	EA
8	BW10358	E-STOP LIGHT(POWER SUPPY)	1	EA
9	BW10357	NC CONTACT BLOCK	1	EA
10	BW10359	MIN, RED,LED, BULB	1	EA
11	87952	SW, (FAST CHANGE)	1	EA
12	BW10355	SW, PB GRN FLUSH (ENG START)	1	EA
13	BW10354	SW, KEYSWITCH BLK	1	EA
13A	BW10204-1	KEY ONLY	2	EA
14	88017	SW, CONTACT BLOCK N.O. (SYS ON) (ENG START)	3	EA
15	BW10212	MINI HOURMETER	1	EA
16	87346-LCD	DISPLAY,LCD 20CX4L W/BACKLIT	1	EA
17	BW10369	LED, PILOT LIGHT, (GRN)	3	EA
18	BW10370	LED, PILOT LIGHT, (RED)	1	EA
19	BW10371	LED, PILOT LIGHT, (AMBER)	1	EA
20	72862	GAUGE FOR PROX.SENSOR SETTING	1	EA
21	87346-2-DECAL	DECAL FACEPLATE FOR 87346-2	1	EA

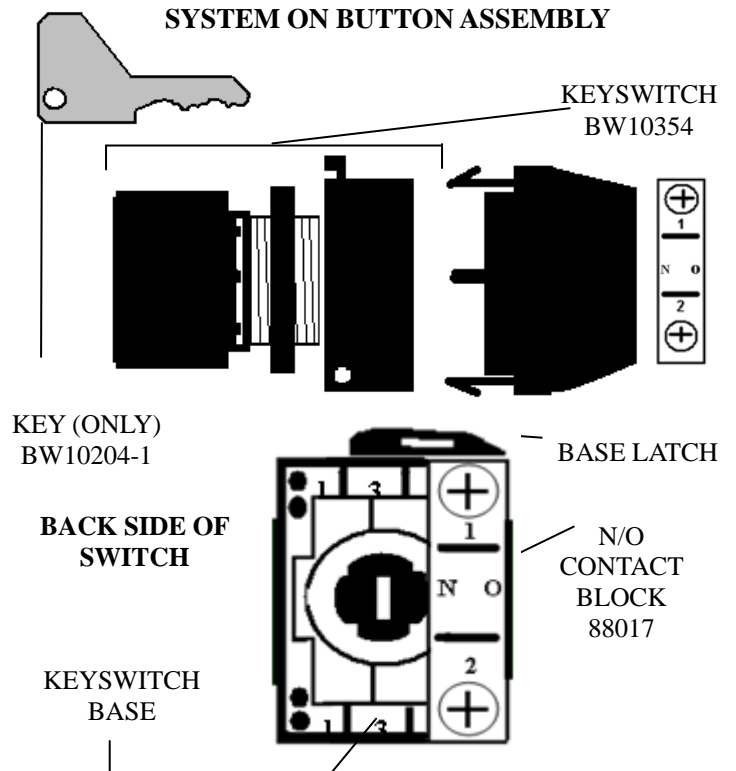
CONTACT BLOCKS



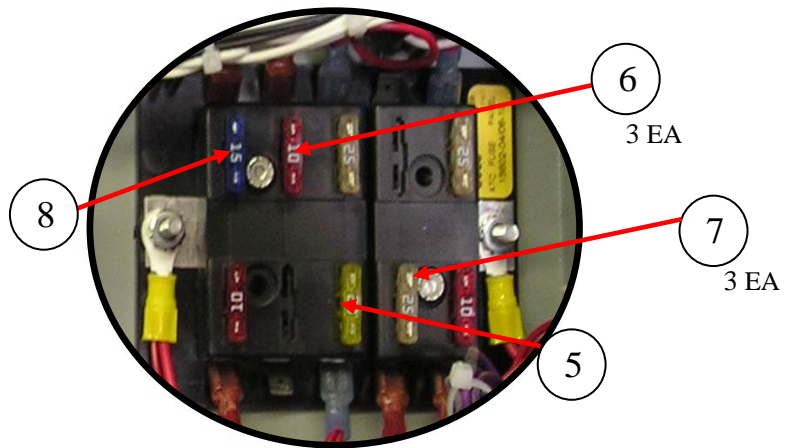
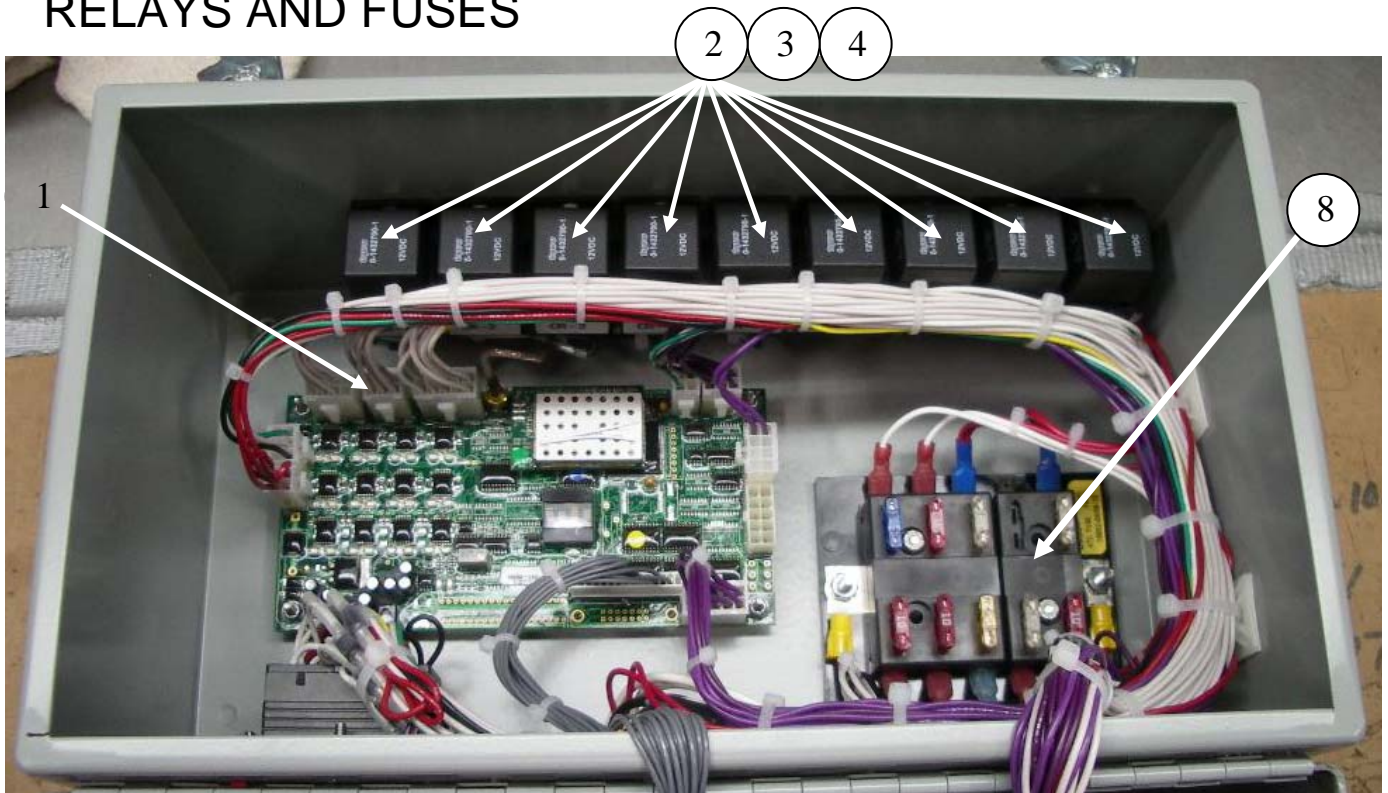
ENGINE START BUTTON ASSEMBLY



SYSTEM ON BUTTON ASSEMBLY



RELAYS AND FUSES



ID #	PART #	PART DESCRIPTION	QUANTITY	
1	87346-2-BOARD	CONTROL BOARD	1	EA
2	87970	RELAY, DIODE SUPRESSED	8	EA
3	72927	RELAY, PINS	32	EA
4	BW10224	SOCKET,RELAY	8	EA
5	800448	FUSE, 20A ATO	1	EA
6	800449	FUSE, 10A ATO	3	EA
7	800447	FUSE, 25A ATO	3	EA
8	90391	FUSE, 15A ATO	1	EA
9	BW10227	FUSE BLOCK 6F-A30	1	EA



C50SCRV03 PARTS

13822 Oaks Avenue
Chino, CA 91710
reedpumps.com
(909) 287 - 2100

LOGIC CIRCUIT CONTROL BOARD

JP17

1. E STOP LIGHT
- 2.
3. CHECK ENGINE LIGHT
4. STOP ENGINE LIGHT
5. DENSON F/C OUTPUT
6. DENSON A OUTPUT
7. DENSON B OUTPUT

JP16

1. STUBE A
2. STUBE B
3. REV VALVE
4. FAST CHANGE
5. REV LIGHT
6. PUMP ON LIGHT

JP15

- 1.VOLUME PWM OUTPUT
2. RPM-
3. VOLUME +
4. VOLUME -
5. HORN OUT

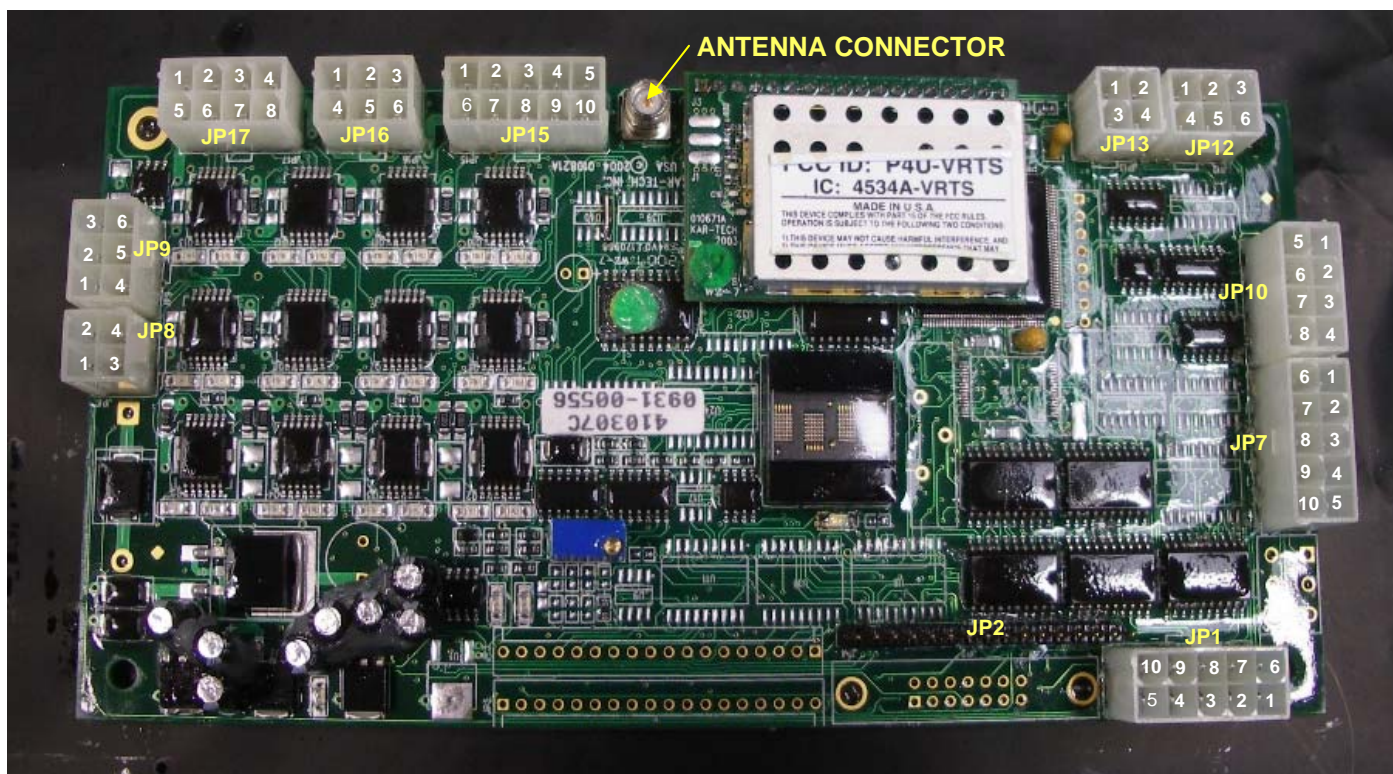
6. VIB OUT
7. DUMP OUT 1
8. DUMP OUT 2
9. MAIN A
10. MAIN B

JP13

PALM PILOT LINK

JP12

1. VIB AUTO INPUT
2. VIB ON IN
3. PROX A IN
4. PROX B IN
5. GRATE SENSOR INPUT
6. REMOTE POWER RETURN



JP9

4. GROUND
5. CAN H
6. CAN L

JP8

- 1.
 - 2.
 - 3.
 - 4.
- FUSED
12VDC
POWER

JP2

LCD DISPLAY

JP10

5. FAST CHANGE ON/OFF

JP7

NOT USED

JP1

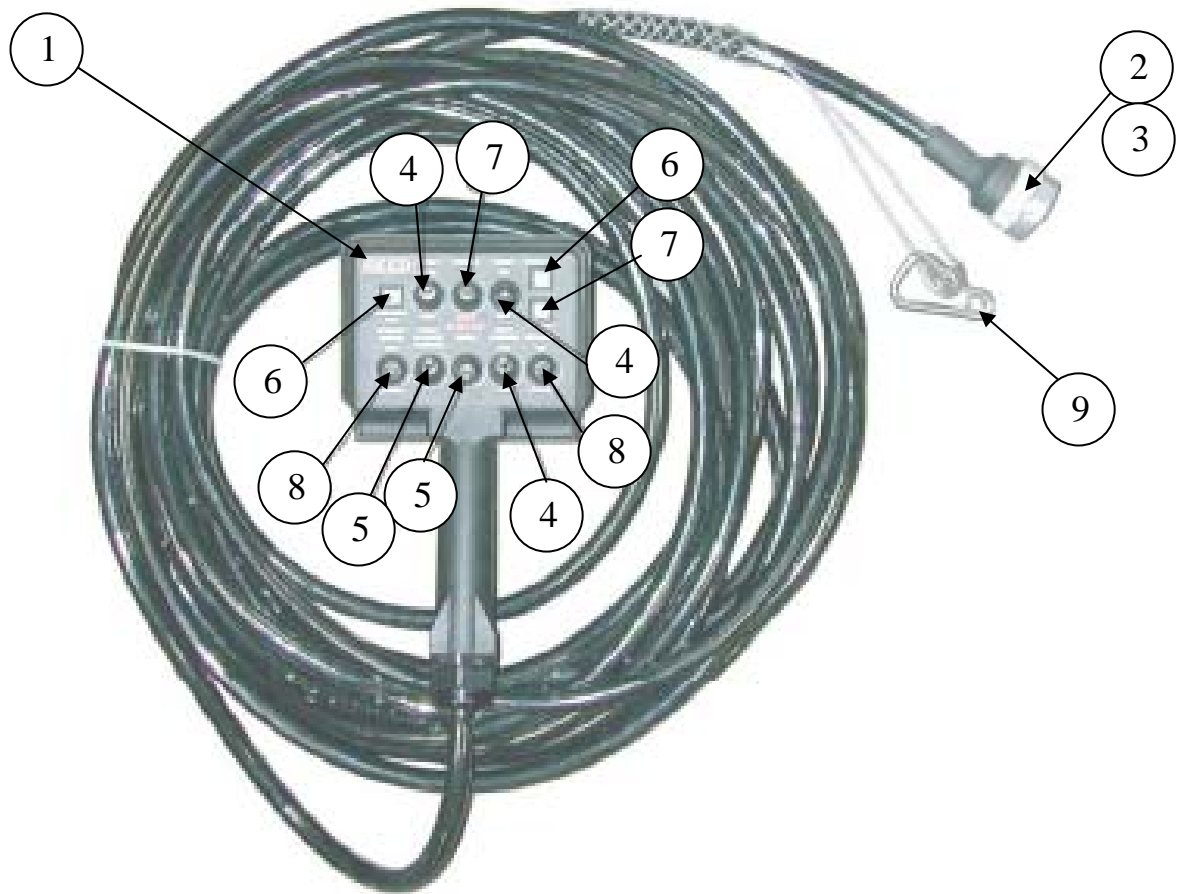
- 1.REMOTE
2. LOCAL
- 3.PUMP ON
4. FORWARD/REVERSE
5. RPM +
6. RPM -
7. VOLUME +
8. VOLUME -
9. HORN
10. STROKE CHANGE

CONNECTORS



ID #	PART #	PART DESCRIPTION	QUANTITY	
1	BW10217	CONN,DRC12-24PA (P1)	1	EA
2	BW10220	CONN,DRC24-GASKET	1	EA
3	BW10221	CONN, DEUTSCH PINS	24	EA
4		CONN,HD34-18-08PN (P2)	1	EA
5	87807	DEUTSCH PINS, MALE	8	EA
6	87806	CONN, 10-11-2163, 16 PIN (P4)	1	EA
7	87808	PINS, FEMALE	16	EA
8		CONN,HD34-18-14PN (P3)	1	EA
9	BW10221	CONN, DEUTSCH PINS	14	EA

50 FT CABLE REMOTE



ID #	PART #	PART DESCRIPTION	QUANTITY	
1	87347-3	REMOTE CONTROL, 87346 REV-D & UP	1	EA
2	87915	CONNECTOR, 87347-1 CABLE REMOTE	1	EA
3	BW10147	PINS (FEMALE)	14	EA
4	BW10207	SW,TOGGLE, (ON-OFF) PUMP ON/OFF & FWD/REV FAST CHANGE	3	EA
5	BW10206	SW,TOGGLE,(ON-OFF) HORN & STROKE CHANGE	2	EA
6	88170	LED, CONTROL ON (GREEN)	2	EA
7	88171	LED, CONTROL ON (RED)	1	EA
8	BW10223	SW, POWER ON/ OFF	1	EA
9	BW10205	SW,TOGGLE,(ON-OFF-ON) RPM+/- & VOLUME+/-	2	EA
10	87875	SPRING SNAP	1	EA
REF	BW10361	SW, SEALING BOOT	8	EA

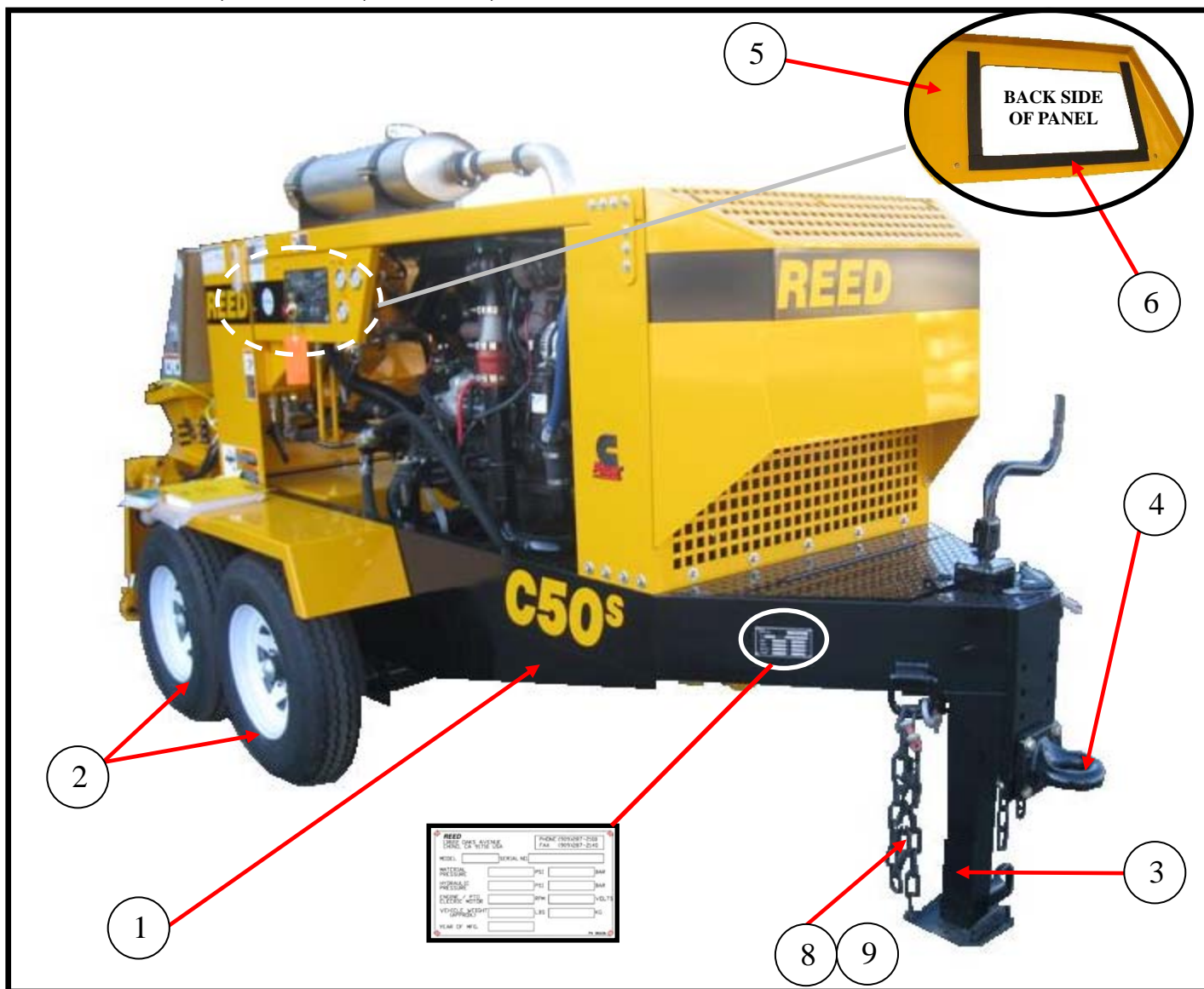


C50SCRV03

PARTS

13822 Oaks Avenue
Chino, CA 91710
reedpumps.com
(909) 287 - 2100

FRAME INSTALLATION FRAME, TIRES, JACK, AND TOW EYE



ID #	PART #	PART DESCRIPTION	QUANTITY	
	87588	FRAME ASSY C SER, W/CUMMINS	1	EA
1	87587	FRAME WELDMENT C-SER 2007 CUMMINS	1	EA
2	85423	TIRE & WHEEL ASSY -9.50-16.5LT	4	EA
3	85123	JACK WELDMENT	1	EA
4	87037	DRAW BAR	1	EA
5	87590	COVER CONTROL BOX, PAINTED	1	EA
6	13257	WEATHERSTRIP, RUBBER, 5/32 X 1	30	EA
7	87086	CHAIN ASSEMBLY	2	IN
8	87085	SHACKLE ANCHOR, SCREW PIN, 1/2 6600	4	FT
9	86636	SERIAL NUMBER PLATE (BLANK)	1	EA

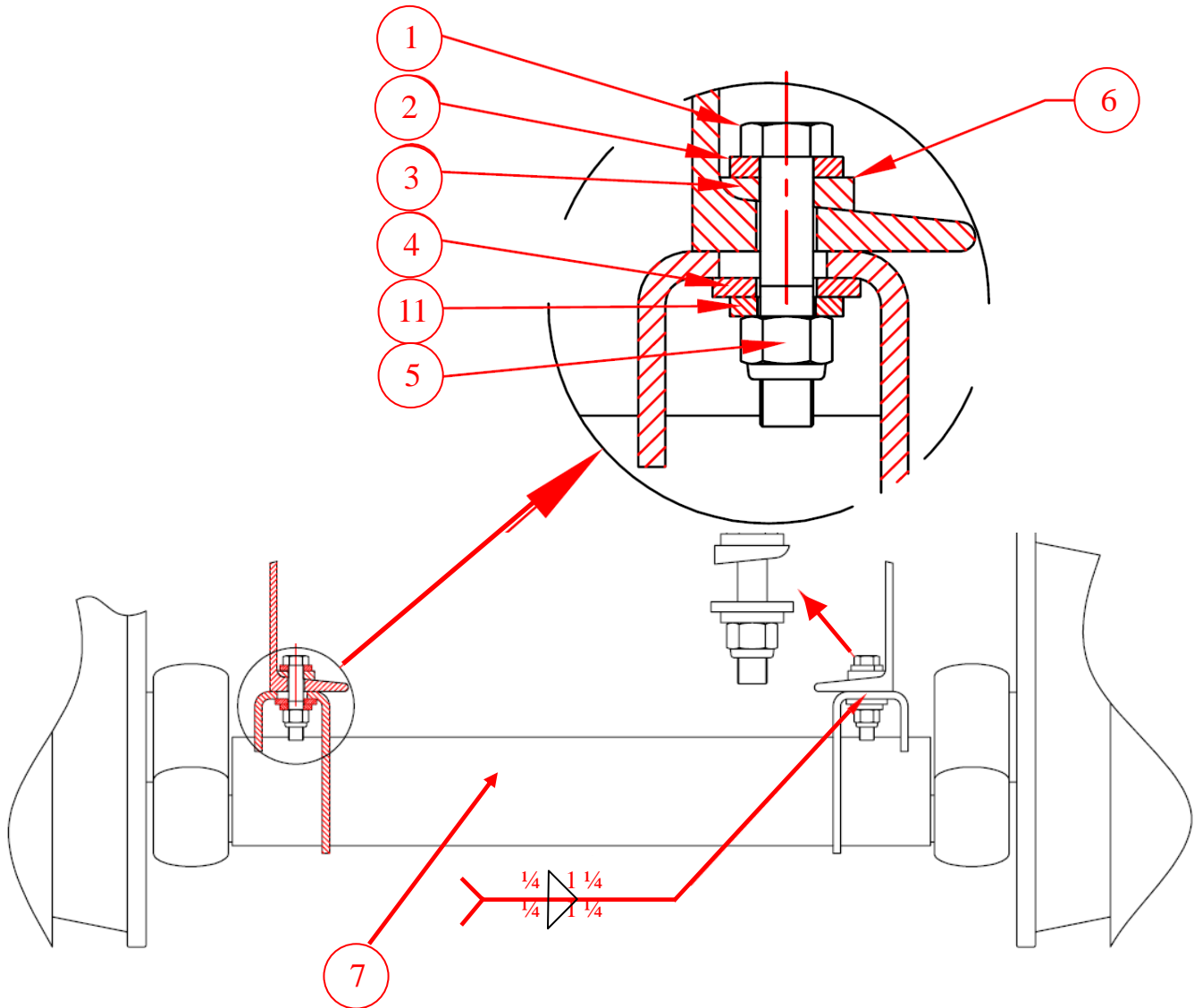


C50SCRV03

PARTS

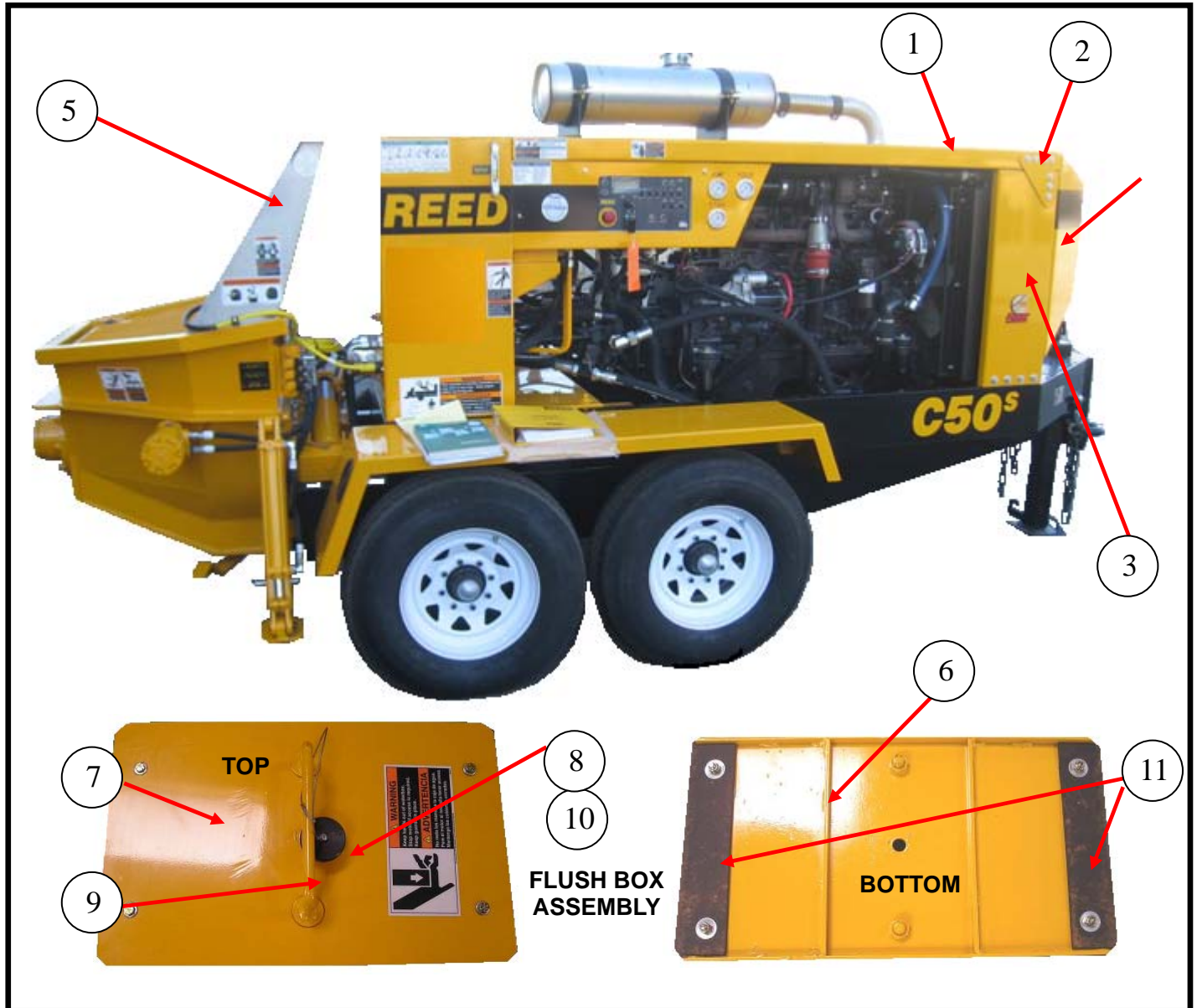
13822 Oaks Avenue
Chino, CA 91710
reedpumps.com
(909) 287 - 2100

7000LB AXLE MOUNTING ASSEMBLY



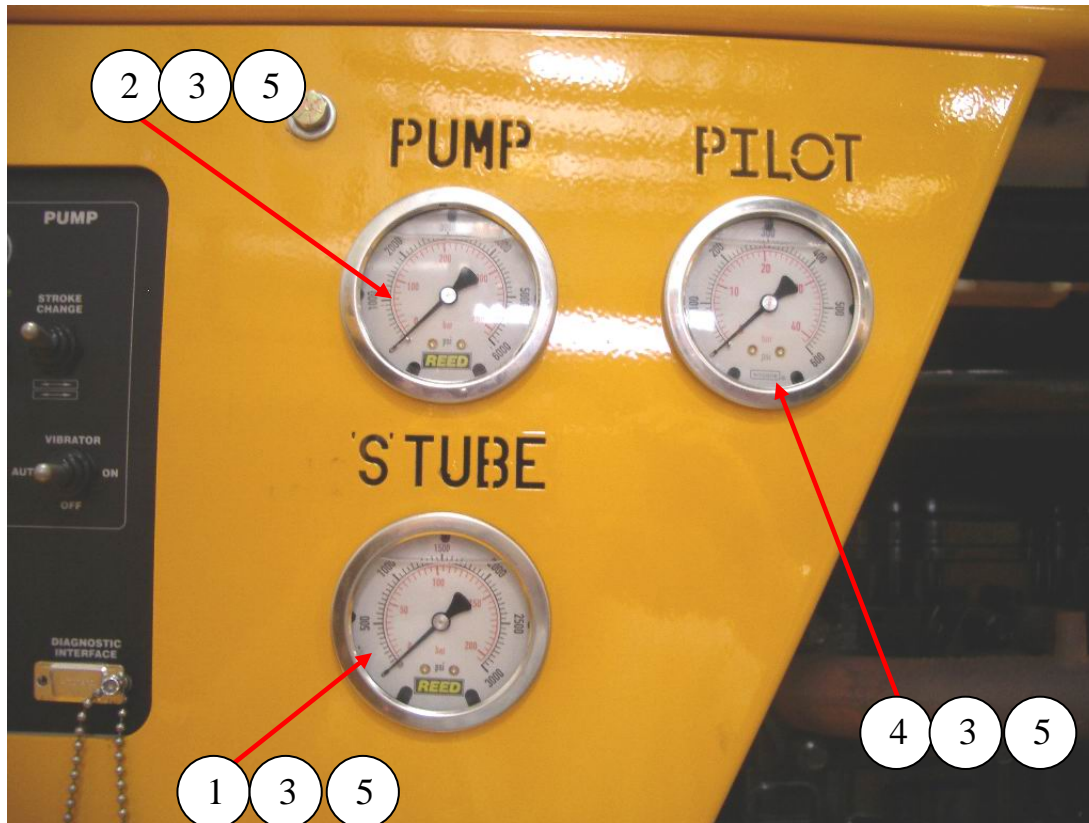
ID #	PART #	PART DESCRIPTION	QUANTITY	
	87542	AXLE MOUNTING HARDWARE KIT	1	EA
1		1/2" -20 X 2.5 HHCS GR8	4	EA
2		1/2" SAE WASHER	8	EA
3		1/2" USE WASHER	4	EA
4		1/2" SAE WASHER	4	EA
5		1/2" - 20 LOCK NUT	4	EA
6		1/2" BEVELED WASHER	4	EA
7	85383	AXLE, TORSION, 7000 LB	2	EA

HOOD AND COVERS



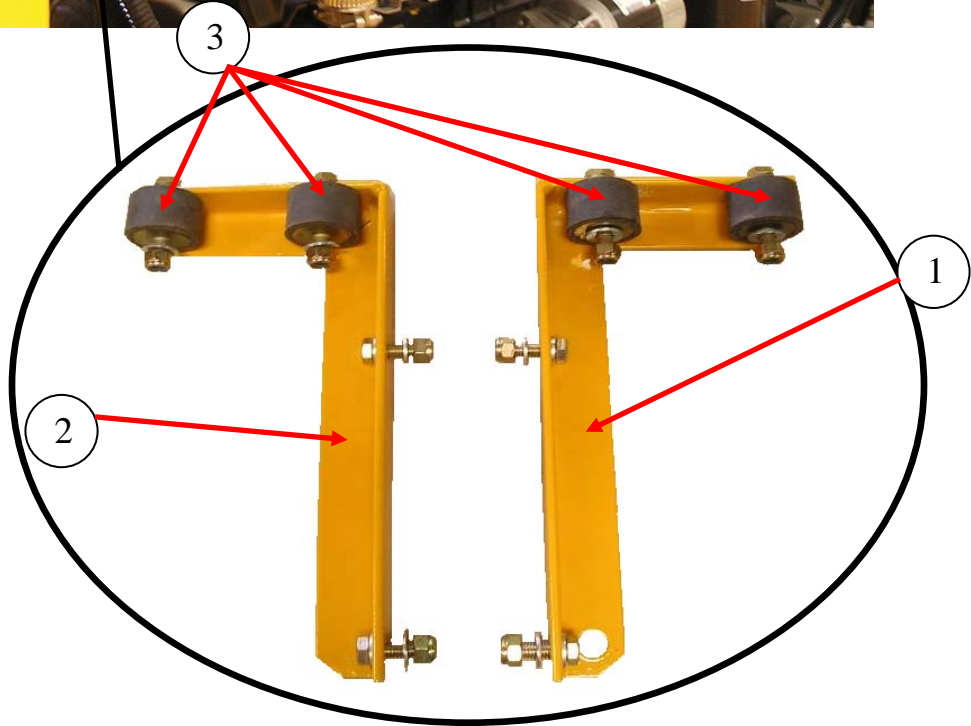
ID #	PART #	PART DESCRIPTION	QUANTITY	
1	87591	COVER TOP, C SER CUMMINS PAINTED	1	EA
2	87592	COVER FRONT AIR INTAKE, PAINTED	1	EA
3	87593	COVER, ENGINE FRONT PAINTED	1	EA
4	87647	GUSSET ENGINE COVER PAINTED	2	
5	85390	SPLASH GUARD, B & C SERIES	1	EA
6	86106	COVER ASSY, FLUSH BOX	1	EA
7	86010	COVER WELDMENT, FLUSH BOX	1	EA
8	86105	KNOB	1	EA
9	79056	HANDLE	1	EA
10	800418	LANYARD, Q/R PIN	1	EA
11	87755	GASKET, FOR FLUSH BOX LID	1	EA

GAUGES



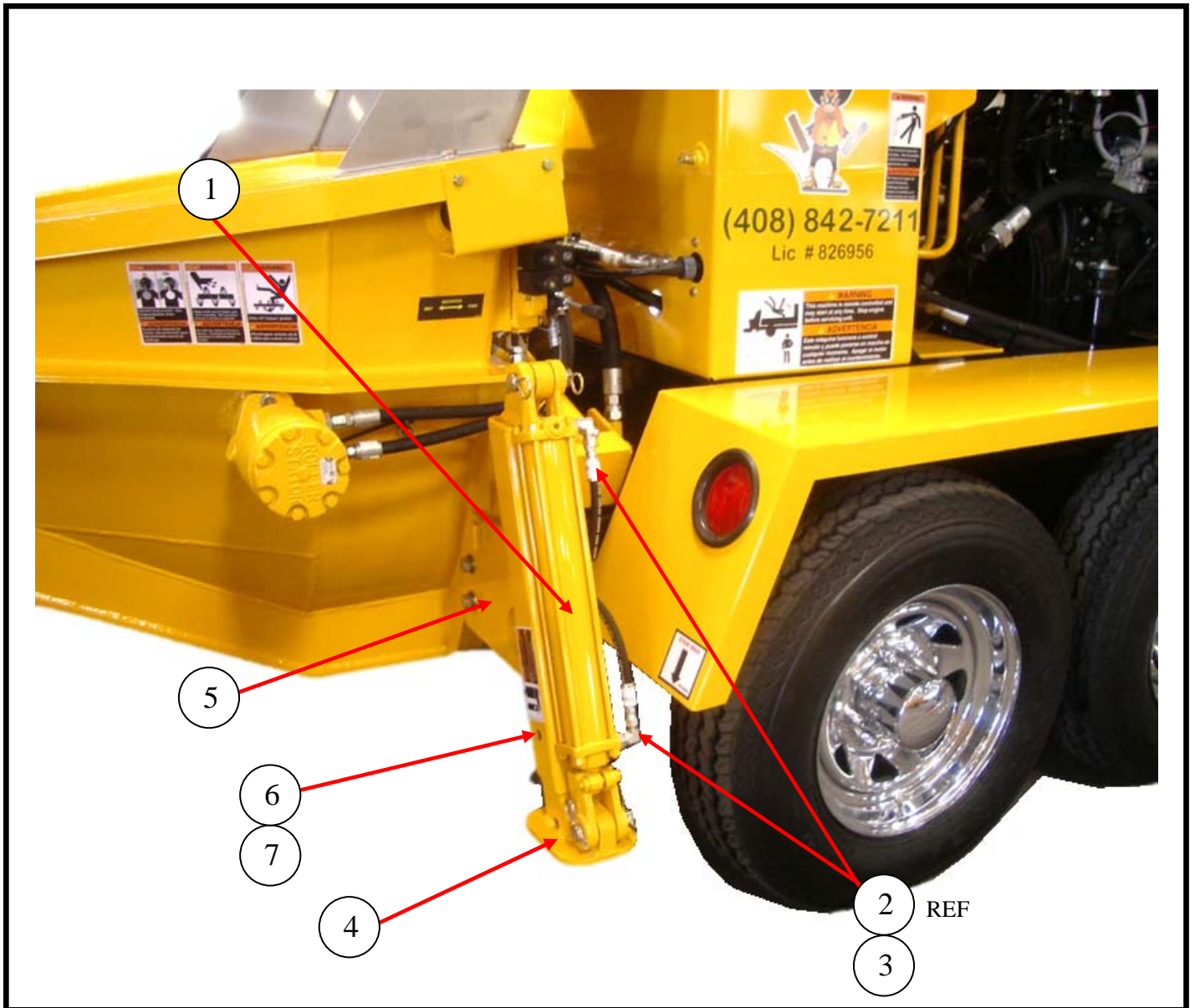
ID #	PART #	PART DESCRIPTION	QUANTITY	
1	70366	PRESSURE GAUGE 3000 PSI/BAR	1	EA
2	74562	PRESSURE GAUGE 6000 PSI/BAR	1	EA
3	803218	ADAPTER GAUGE, ¼ FPT-M16X2 MALE	3	EA
4	87727	PRESSURE GAUGE 600 PSI	1	EA
5	802842	MINICHECK HOSE, 48" 1620 END	3	EA

CONTROL BOX MOUNT



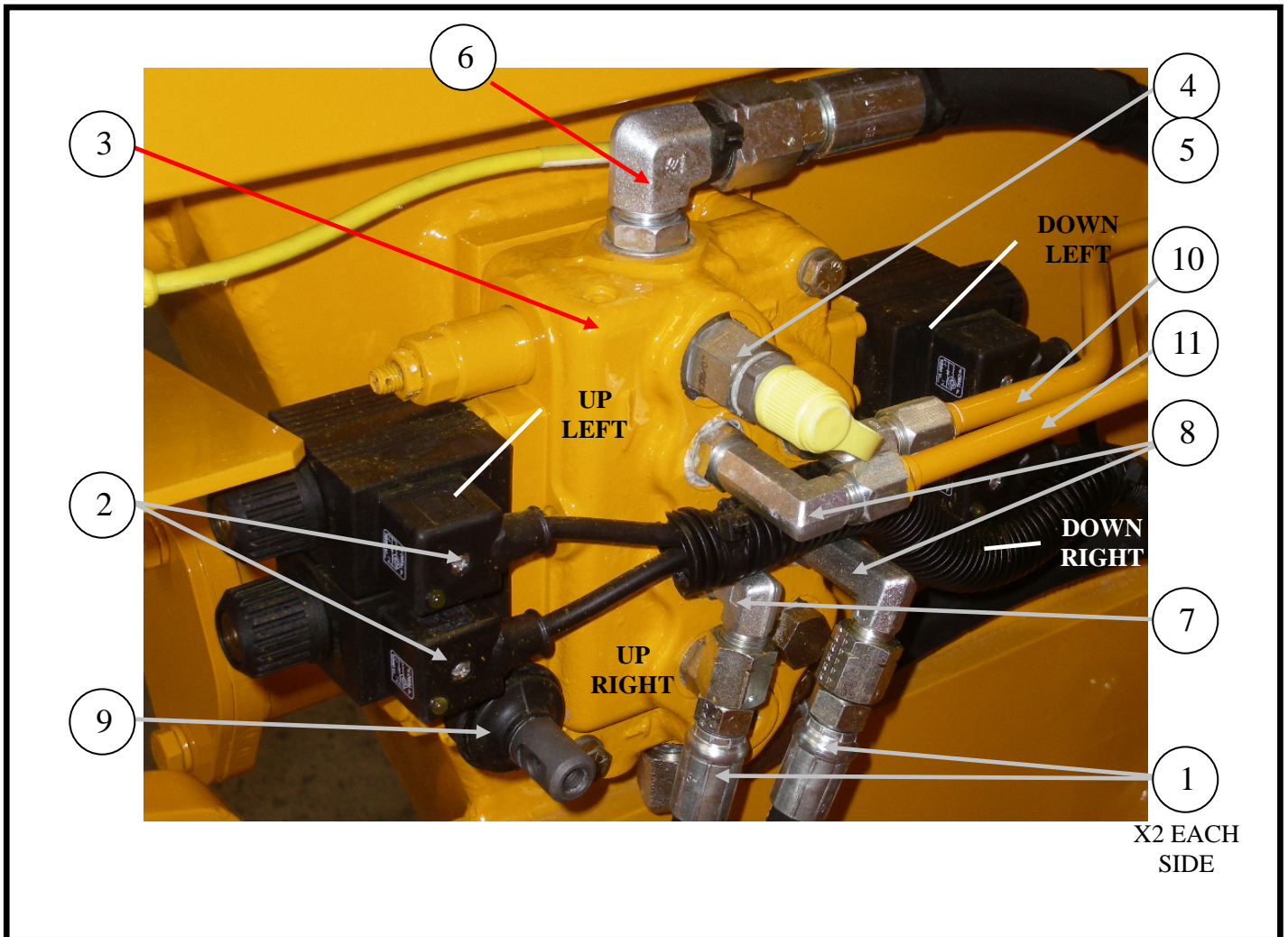
ID #	PART #	PART DESCRIPTION	QUANTITY	
1	87397	ANGLE CONTROL BOX MOUNT RH	1	EA
2	87398	ANGLE CONTROL BOX MOUNT LH	1	EA
3	73748	BUMPER	4	EA
4	800347	HORN, 12V	1	EA

HYDRAULIC OUTRIGGER GROUP



ID #	PART #	PART DESCRIPTION	QUANTITY	
1	86574	HYD CYL - 2.00 BORE X 12.00 STR - PAINTED	2	EA
2	85659-010	HOSE, 4M2T-6FJX-6FJX-33.00	REF	EA
3	86728-008	FITTING, 90° MB-MJ90-8-6	4	EA
4	86553	OUTRIGGER WELDMNT, INNER-PAINTED	2	EA
5	86557	OUTERTUBE, O/R B & C - PAINTED	2	EA
6	85595	PIN, Q/R, 5/8 DIA X 3 1/2 L	2	EA
7	800418	LANYARD, Q/R PIN	2	EA

ELECTRIC HYDRAULIC OUTRIGGER



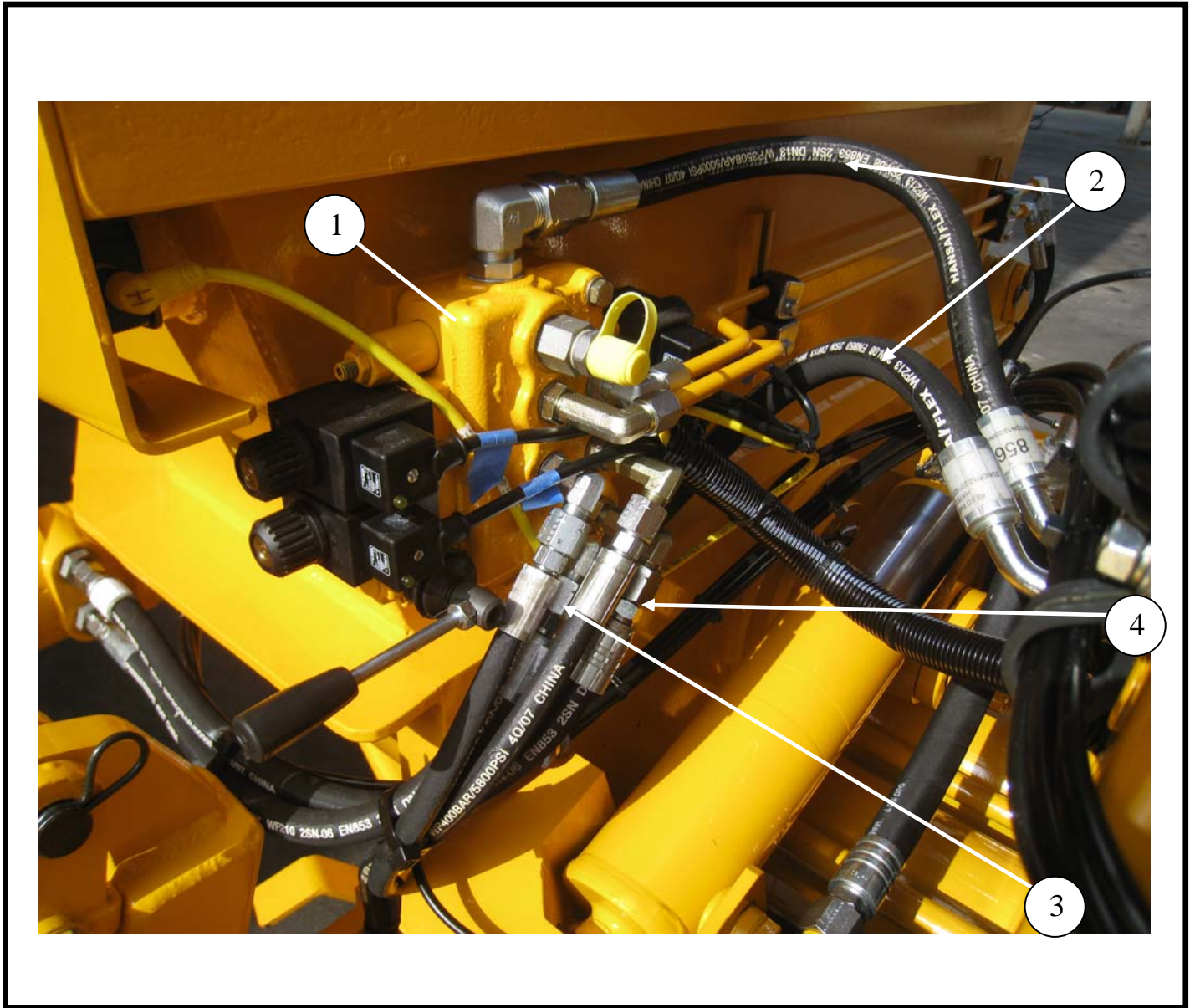
ID #	PART #	PART DESCRIPTION	QUANTITY	
	88041-AO	HYD OUTRIGGER ASSEMBLY, REMOTE	REF	EA
1	85659-010	HOSE, 4M2T-6FX-6JX-33.00	4	EA
2	87540	CABLE SOLENIOD VALVE, WITH DIN PLUG	4	EA
3	88026	VALVE, 3SPOOL, 2EA. VDC SPOOL	1	EA
4	800083	FITTING, MINI CHECK (PORT)	1	EA
5	86750	ADAPTER, MB-FB-8-6	1	EA
6	86749	FITTING, MJ-FJX45-10-10	1	EA
7	86748	FITTING, 90° MB-MJ90-6-6	3	EA
8	86747	FITTING.90° MB-MJ90LL-6-6	3	EA
9	74471-B	BOOT, COVER	3	EA
10	85685	TUBE, HYD,OUTRIGGER-PAINTED	1	EA
11	85686	TUBE, HYD,OUTRIGGER-PAINTED	1	EA

ELECTRIC HYDRAULIC OUTRIGGER CONTROLS



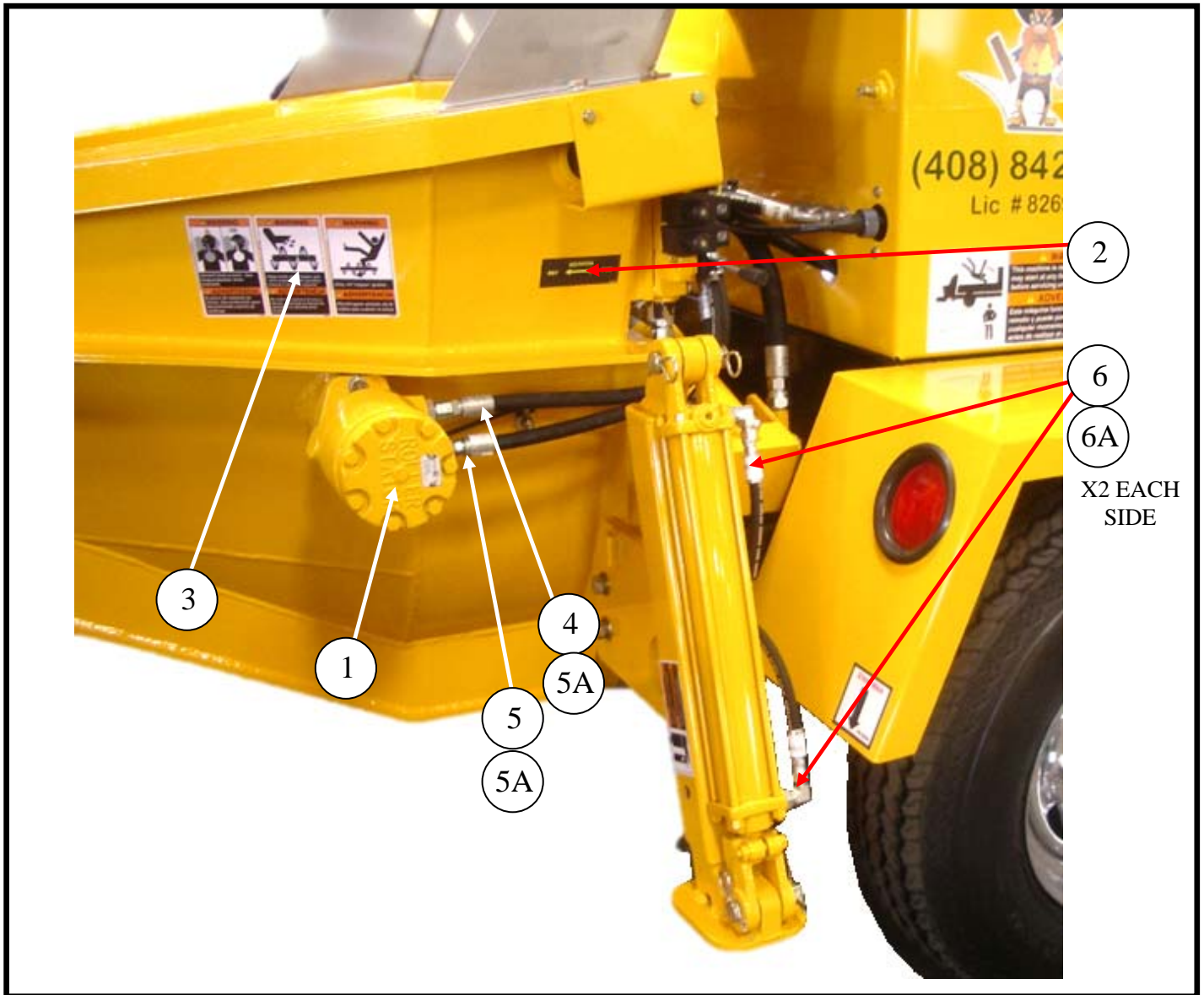
ID #	PART #	PART DESCRIPTION	QUANTITY	
1	801206	ENCLOSURE 6X3X3, FIBERGLASS	2	EA
2	88163	DECAL OUTRIGGER UP/DOWN	2	EA
3	BW10205	SWITCH, 3 POSITION MOM/SPDT	2	EA
4	BW10361	SW, SEALING BOOT	2	EA
5	88164	BRACKET OUTRIGGER CONTROL MOUNT	2	EA
6	7	STRAIGHT STRAIN RELIEF	4	EA
7	10528	NUT 1/2", BONDING TYPE LOCK	4	EA

AGITATOR GROUP



ID #	PART #	PART DESCRIPTION	QUANTITY	
1	88026	VALVE, 3SPOOL12 VDC SPOOL	REF	EA
2	85657-016	HOSE, 8M2T-10FJX-10FJX45-20.00	2	EA
3	85658-011	HOSE, 6M2T-6FJX-6FJX-21.00	1	EA
4	85658-010	HOSE, 6M2T-6FJX-6FJX-20.00	1	EA

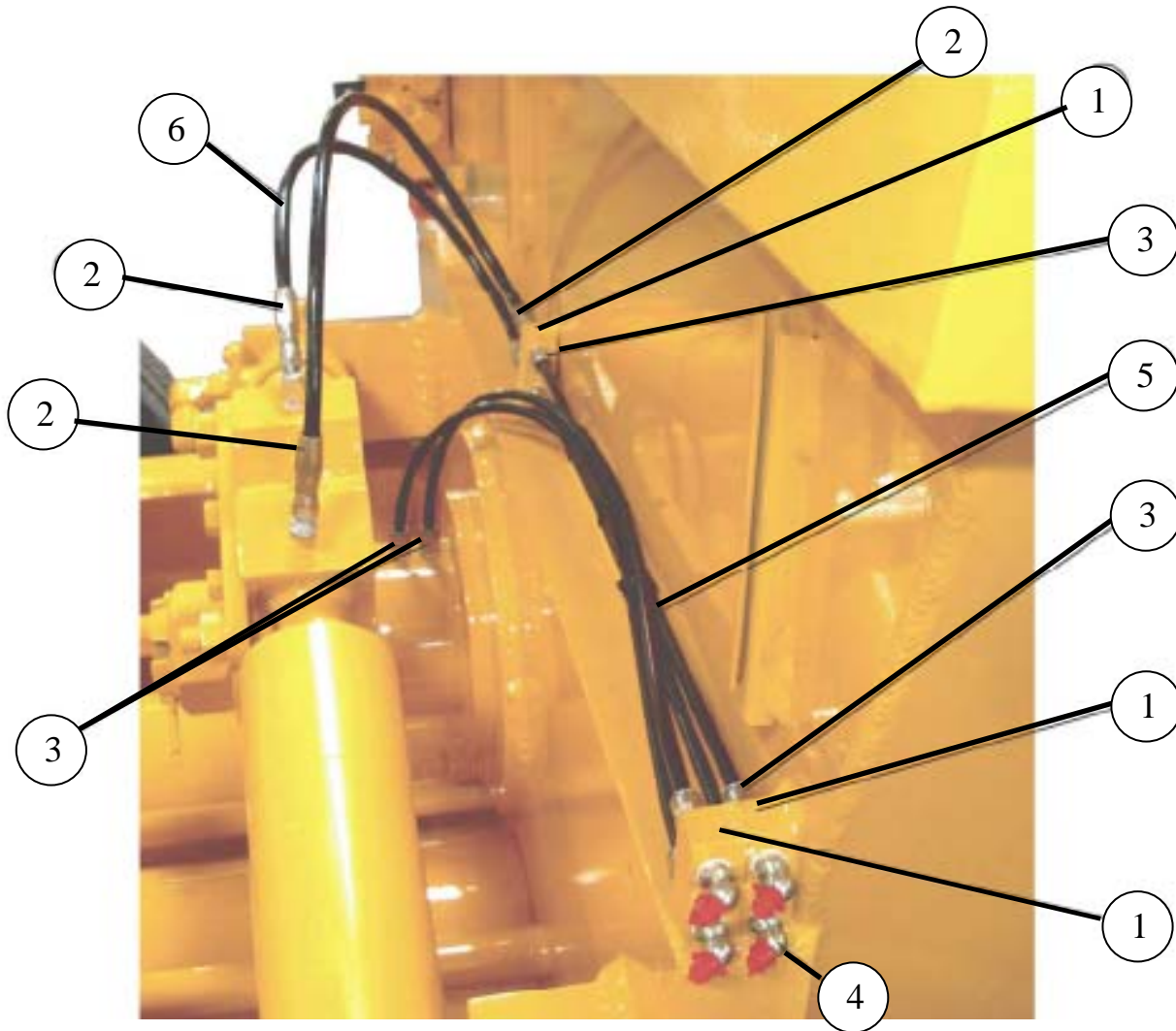
AGITATOR GROUP CONTINUED



ID #	PART #	PART DESCRIPTION	QUANTITY	
1	85811	HYD MOTOR, 45.6 CID, 1" SHAFT	1	EA
2	85846	DECAL, AGITATOR	1	EA
3	800919	DECAL, WARNING, STAND CLEAR	2	EA
4	85658-011	HOSE, 6M2T-6FJX-6FJX-21.00	REF	EA
5	85658-010	HOSE, 6M2T-6FJX-6FJX-20.00	REF	EA
5A		FITTING,MB-MJ-10-6	2	EA
6	85659-010	HOSE, 4M2T-6FJX-33.00	REF	EA
6A	86728-008	ELBOW, MB-MJ90-8-6	4	EA

OPTIONS

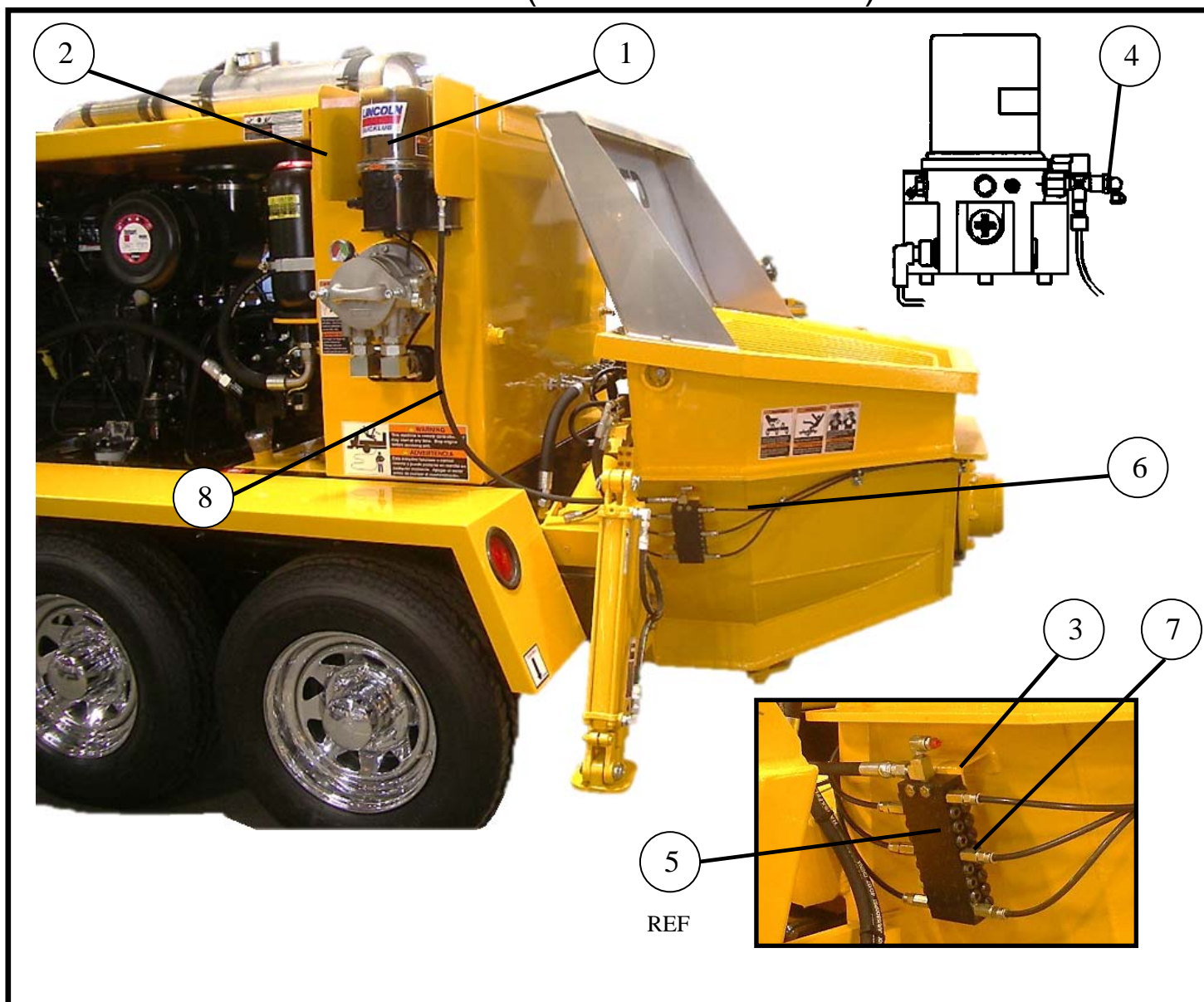
LUBE BLOCK



ID #	PART #	PART DESCRIPTION	QUANTITY	
	87539	ASSEMBLY, CENTRALIZED LUBE BLOCK	1	EA
1	87437	BLOCK	3	EA
2	87628	HOSE, COUPLING	4	EA
3	87629	FITTING, HOSE	8	EA
4		FITTING, GREASE	4	EA
5		HOSE, PLASTIC- ¼ " O.D. TUBING	A/R	
6		HOSE, PLASTIC 5/16" O.D. TUBING	A/R	

OPTIONS

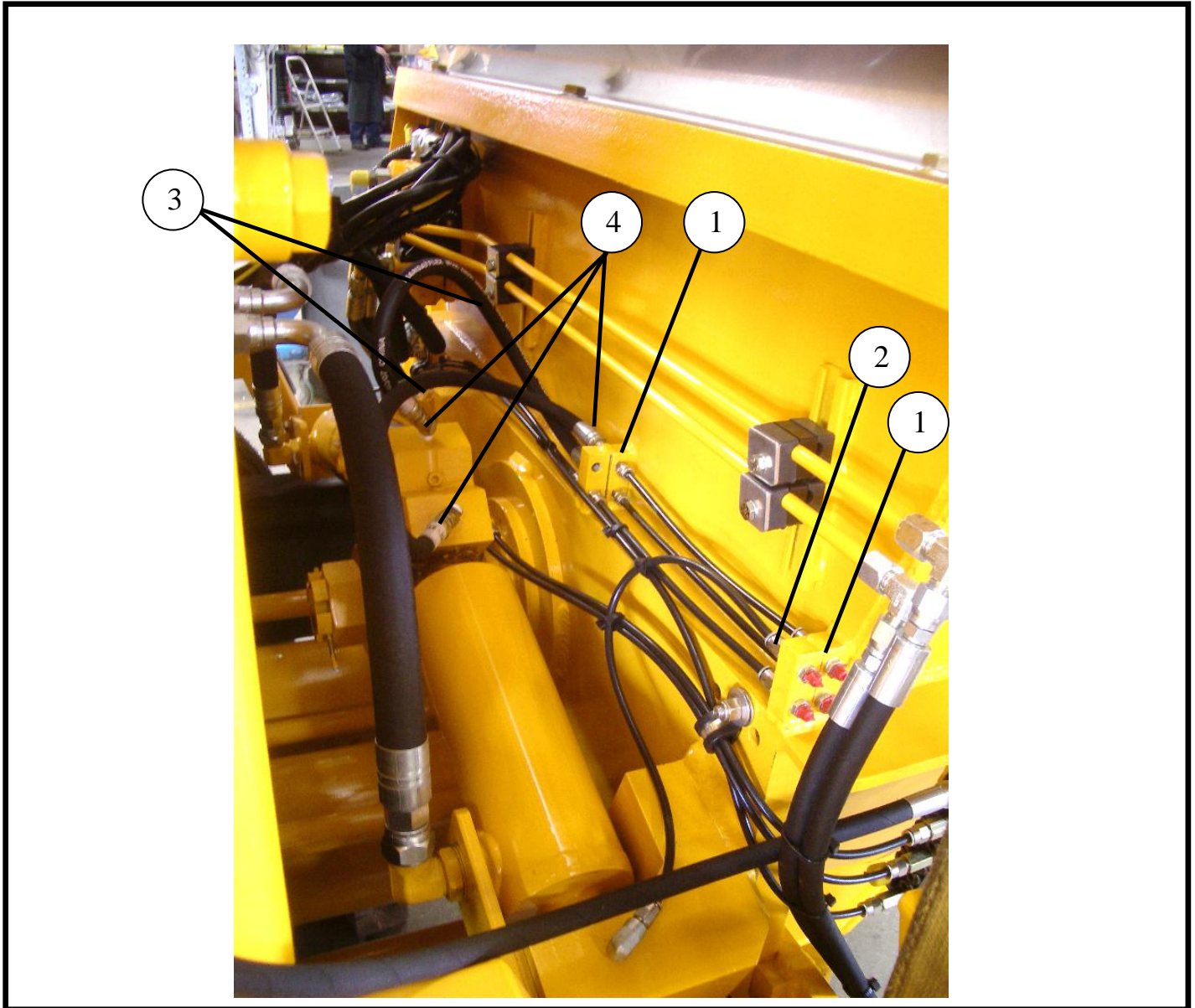
AUTOLUBE PUMP (PLASTIC TUBING)



ID #	PART #	PART DESCRIPTION	QUANTITY	
	87485-1	ASSEMBLY, AUTO LUBE 12V WITH HYDRALIC LINES	REF	EA
	87193	LUBE PUMP ASSY (PLACTIC TUBING)	REF	EA
1	87193-21	LUBE PUMP	1	EA
2	87257	GUARD	1	EA
3	87475	BRACKET, LUBE BLOCK MOUNT	1	EA
4		VALVE, PRESSURE RELIEF	1	EA
5	87487	BLOCK, DIVIDER VALVE -18 OUTLET	1	EA
6	87193-25	HOSE, PLASTIC- ¼" O.D.	A/R	
7	88364	ADAPTER STAIGHT, LINCOLIN LUBE	6	EA
8	87485-H1	HOSE, R2TDN06/45"/14110-04-02/14110-04	1	EA

OPTIONS

AUTOLUBE PUMP (PLASTIC TUBING) CONTINUED

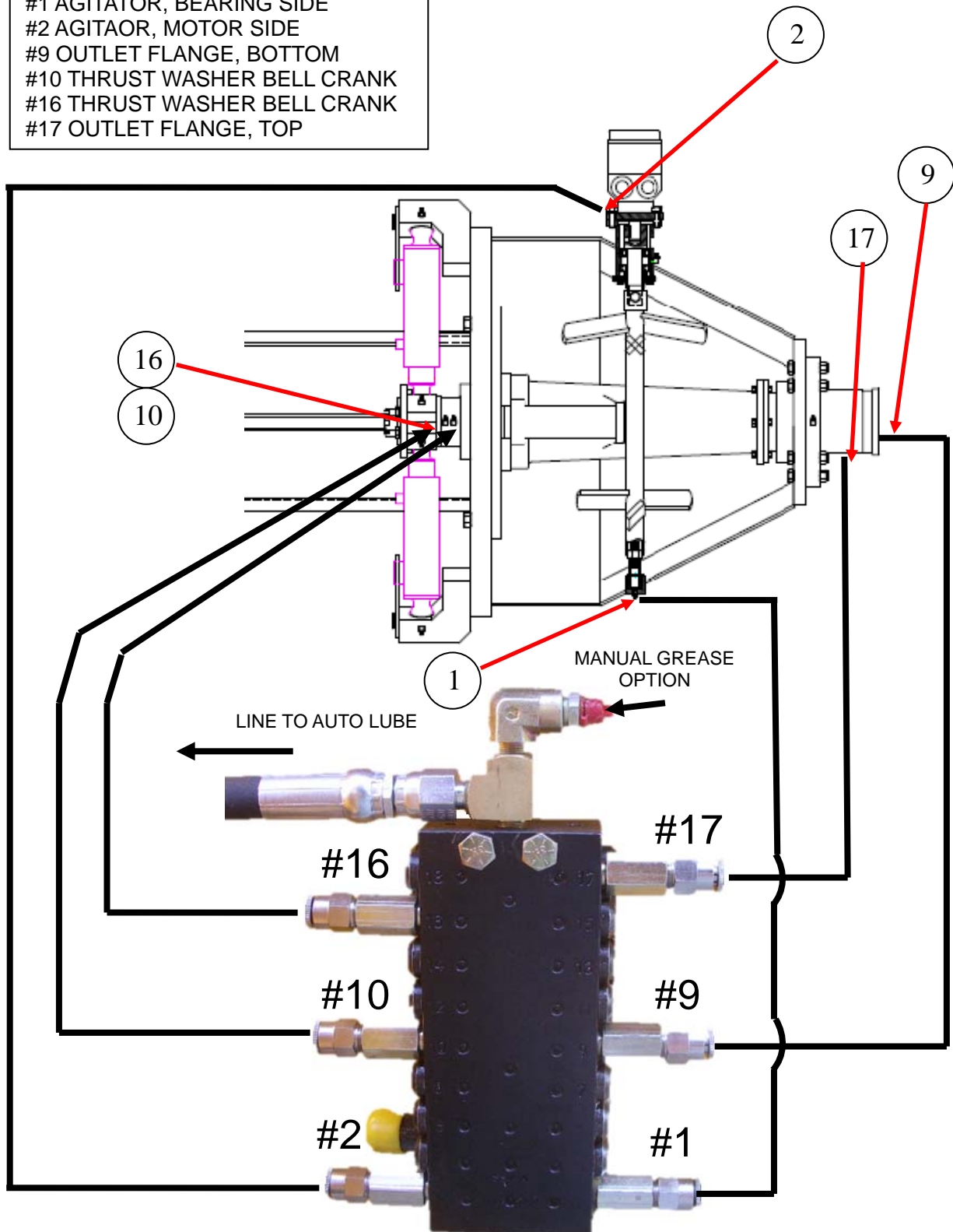


ID #	PART #	PART DESCRIPTION	QUANTITY	
1	87437	UNION,BLOCK	3	EA
2	87629	FITTING, QUICKLOCK	19	EA
3	87485-H2	HOSE, 6/23"-14110-04-02/14110-04-02	2	EA
4	87630	STREET ELBOW LUB, 1/8" NPT SWIVEL	4	

OPTIONS

AUTOLUBE GREASE VALVE LINE DIAGRAM

- #1 AGITATOR, BEARING SIDE
- #2 AGITAOR, MOTOR SIDE
- #9 OUTLET FLANGE, BOTTOM
- #10 THRUST WASHER BELL CRANK
- #16 THRUST WASHER BELL CRANK
- #17 OUTLET FLANGE, TOP

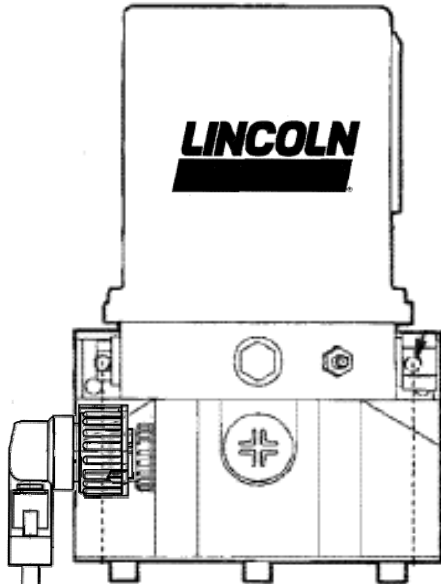


OPTIONS

AUTOLUBE WIRING DIAGRAM



AUTO LUBE SYSTEM



87806 CONNECTER PLUG

87807 MALE PINS

P4



P4

A
B
C
D
E
F
G
H
J
K
L
M
N
O
P
Q

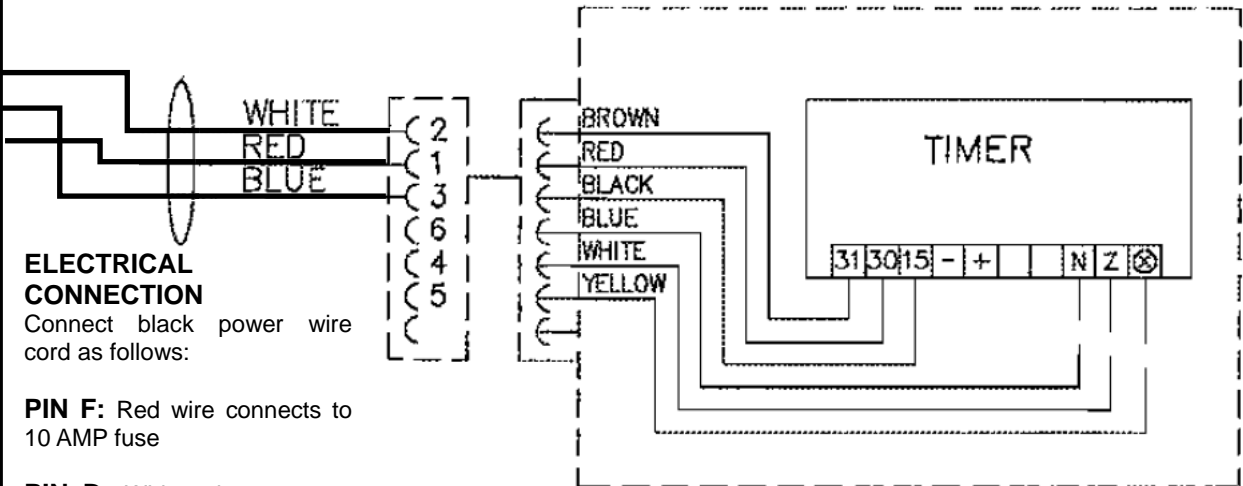
ELECTRICAL CONNECTION

Connect black power wire cord as follows:

PIN F: Red wire connects to 10 AMP fuse

PIN D: White wire connects to Ground


PIN E: Blue wire connects to Ignition switch, to 10 amp fuse then battery (+)



OPTIONS

COUGAR VIBRATOR


1



VIBRATOR W/OUT SAFTY SWITCH


3/8-16-X2" HEX BOLT 4EA.
3/8 FLAT WASHER 8EA.
3/8 LOCK WASHER 4EA.
3/8-16 LOCK NUT 4EA.

2




VIBRATOR WITH SAFTY SWITCH

3




1/4-20X 7/8" HEX BOLT 2EA.
1/4 FLAT WASHER 4EA.
3/8-16 LOCK NUT 2EA.

5



4

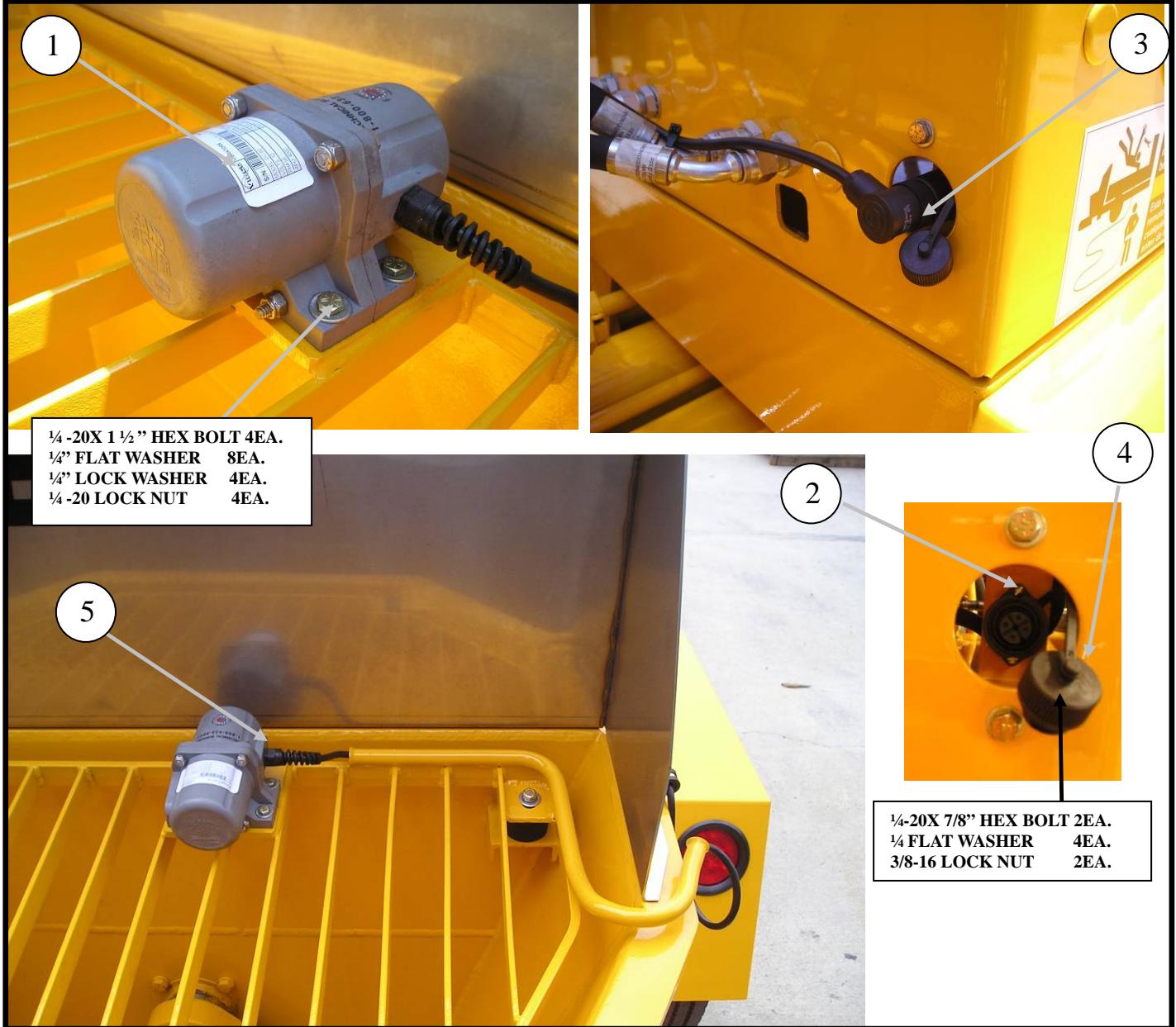


VIBRATOR PLUG BRACKET

ID #	PART #	PART DESCRIPTION	QUANTITY	
1	71429	VIBRATOR, 12VDC ROTARY (COUGAR)	1	EA
2	87835-V	GRATE WELDMENT, VIBRATOR	1	EA
3	85898-1	CORD W/PLUG, MALE 14AWG X 8 FT	1	EA
4	87472	BRACKET, VIBRATOR PLUG MOUNT	1	EA
5	85899	VIBRATOR, PLUG	1	EA

OPTIONS

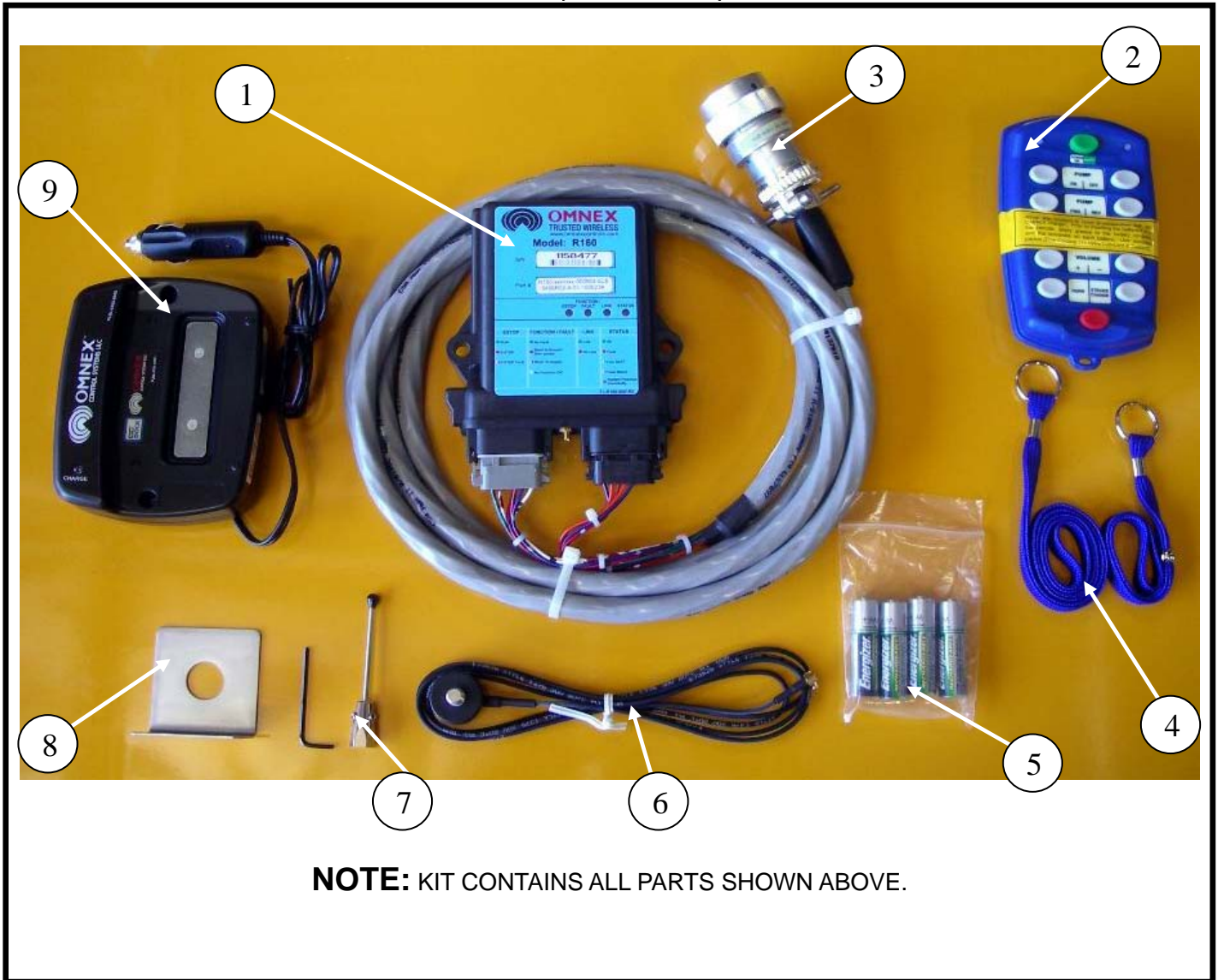
VIBCO VIBRATOR



ID #	PART #	PART DESCRIPTION	QUANTITY	
	88021	VIBRATOR, ASSY, ELECTRIC, 100LB	1	EA
1	87916	VIBRATOR, 12 VDC SMALL	1	EA
2	88024	CONNECTOR, FEMALE	1	EA
3	88023	CONNECTOR, MALE 90°	1	EA
4	88025	CAP, SOCKET FEMALE FOR 88024	1	EA
5	88022	BRACKET, 87916 VIBRATOR MOUNT	1	EA

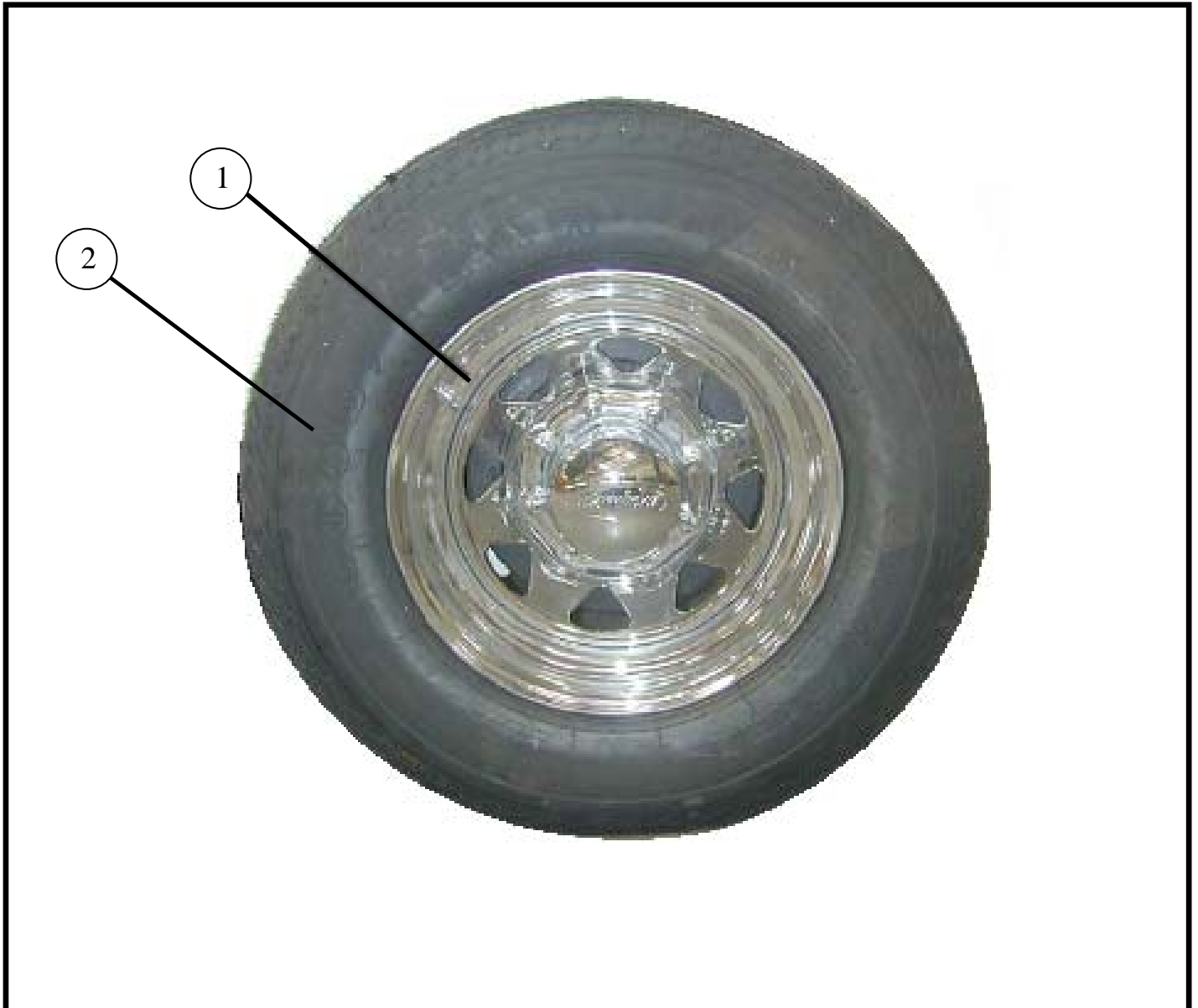
OPTIONS

RADIO REMOTE KIT (OMNEX)



NOTE: KIT CONTAINS ALL PARTS SHOWN ABOVE.

ID #	PART #	PART DESCRIPTION	QUANTITY	
	87348-20	OMNEX RADIO REMOTE KIT 87346-2 REV F+	1	EA
1		RECEIVER R160	1	EA
2		TRANSMITTER T110C	1	EA
3		CABLE ASSEMBLY R160	1	EA
4		REMOTE STRAPS	2	EA
5		NIMH RECHARGEABLE BATTERIES	4	EA
6		ANTENNA CABLE	1	EA
7		ANTENNA	1	EA
8		ANTENNA BRACKET	1	EA
9		BATTERY CHARGER DOCK	1	EA

OPTIONS
CHROME WHEEL AND TIRE

ID #	PART #	PART DESCRIPTION	QUANTITY	
	86059	TIRE & WHEEL-CHROME ASSEMBLY	2	EA
1		WHEEL-ALUMINUM	2	EA
2		TIRE-215/75R17.5H	2	EA



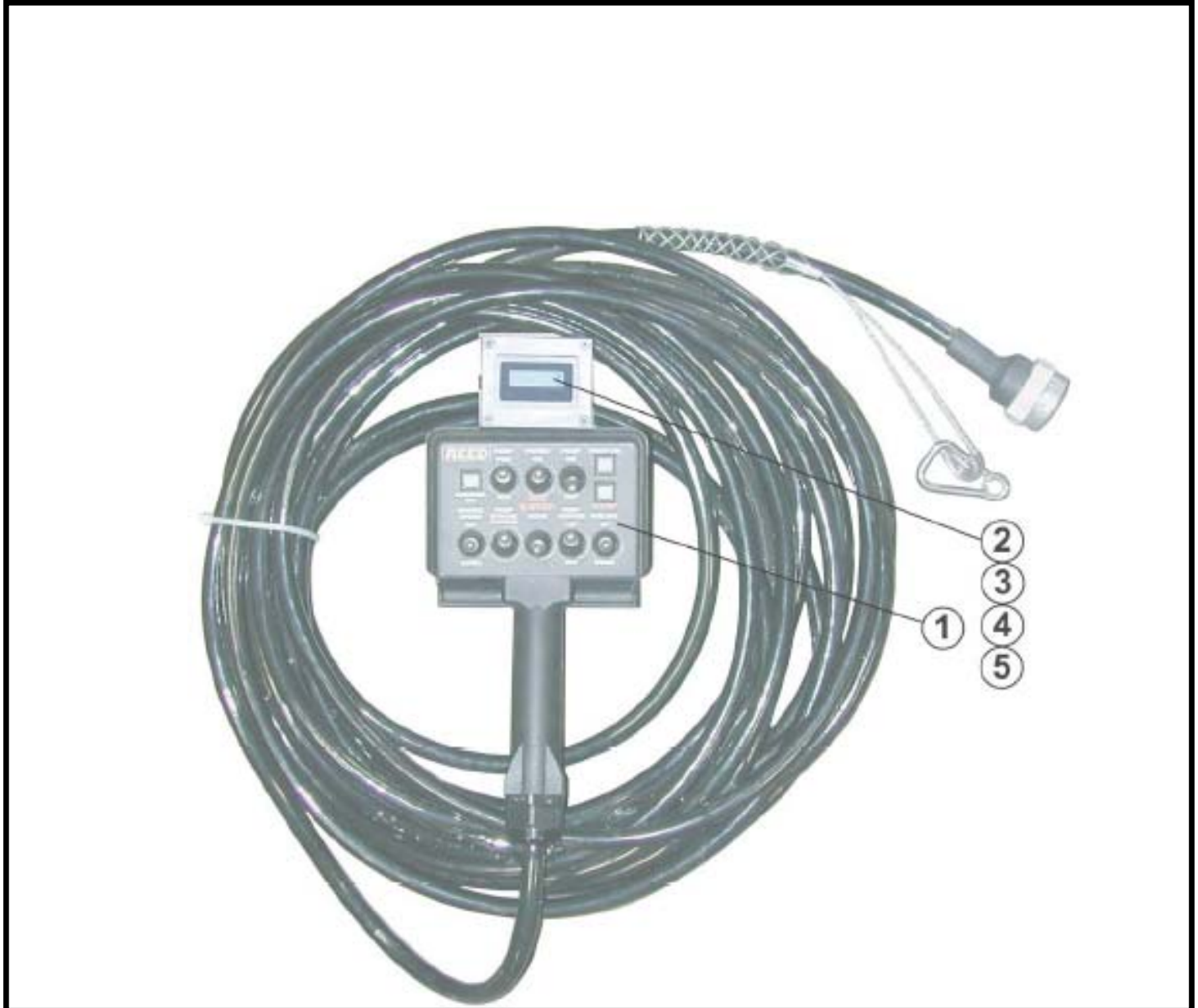
C50SCRV03

PARTS

13822 Oaks Avenue
Chino, CA 91710
reedpumps.com
(909) 287 - 2100

OPTIONS

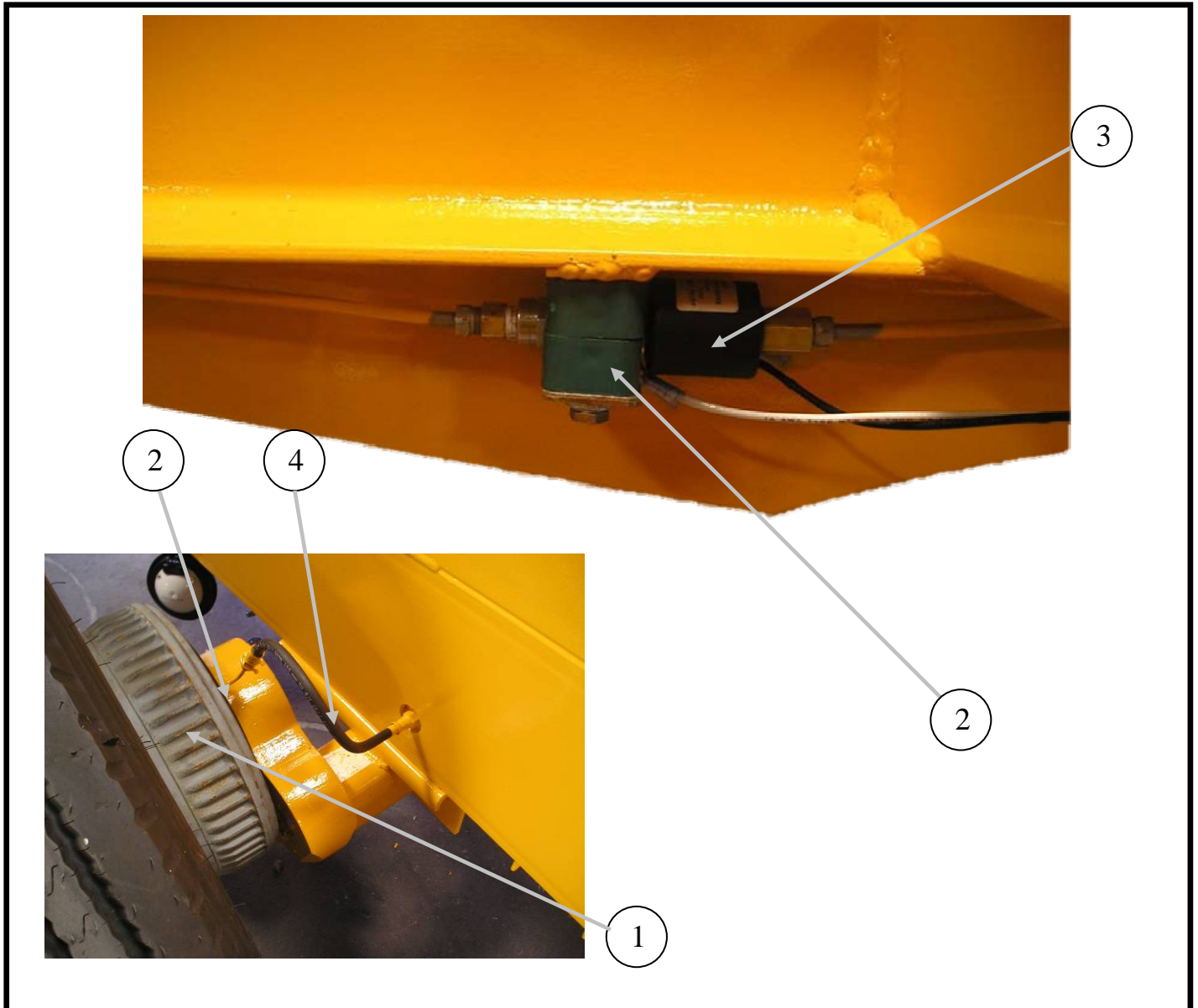
50 FT STROKE COUNTER CABLE REMOTE ASSEMBLY



ID #	PART #	PART DESCRIPTION	QUANTITY	
	87753-1	ASSEMBLY, 50 FEET CABLE REMOTE WITH STROKE COUNTER	REF	
1	87347-1	CONTROL, REMOTE CABLE (50 FT)	1	EA
2	72330	COUNTER, STROKE	1	EA
3	74388	DIODE	2	EA
4	87784	BOX, MACHINED	1	EA
5	87785	COVER, BOX	1	EA

OPTIONS

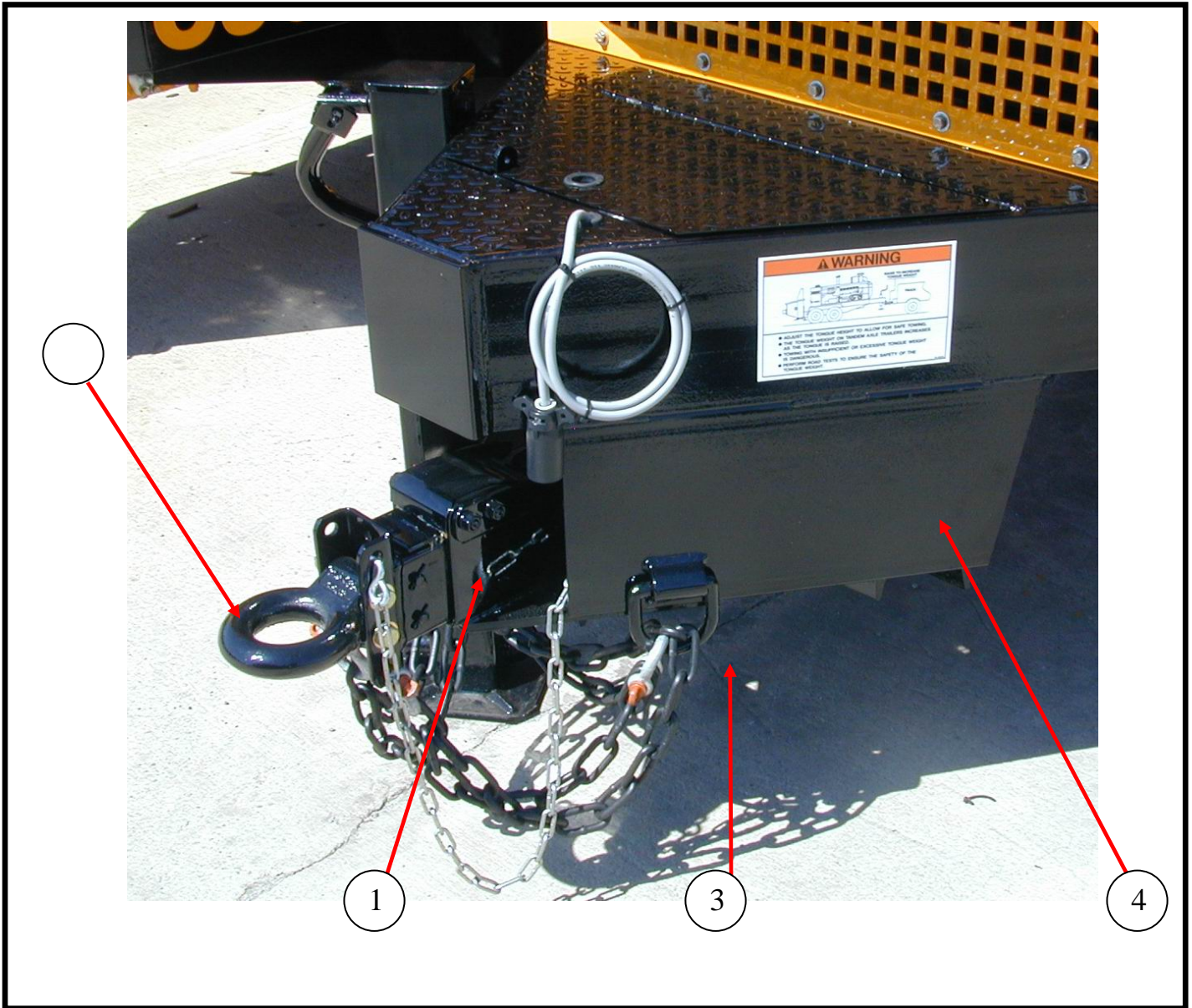
HYDRAULIC SURGE BRAKES



ID #	PART #	PART DESCRIPTION	QUANTITY	
1	87924	HYDRAULIC BRAKE ASSY 9000LB (QUALITY AXLE)	2	EA
2	88032	SPACER FOR 88020 HYDRAULIC BRAKE CONVERSION	2	EA
3	87925	SOLENIOD HYD BRAKE VALVE	1	
4	87256	BRAKE LINE KIT	1	
5	801902-006	CLAMP,18MM TUBE CLAMP SET	1	EA

OPTIONS

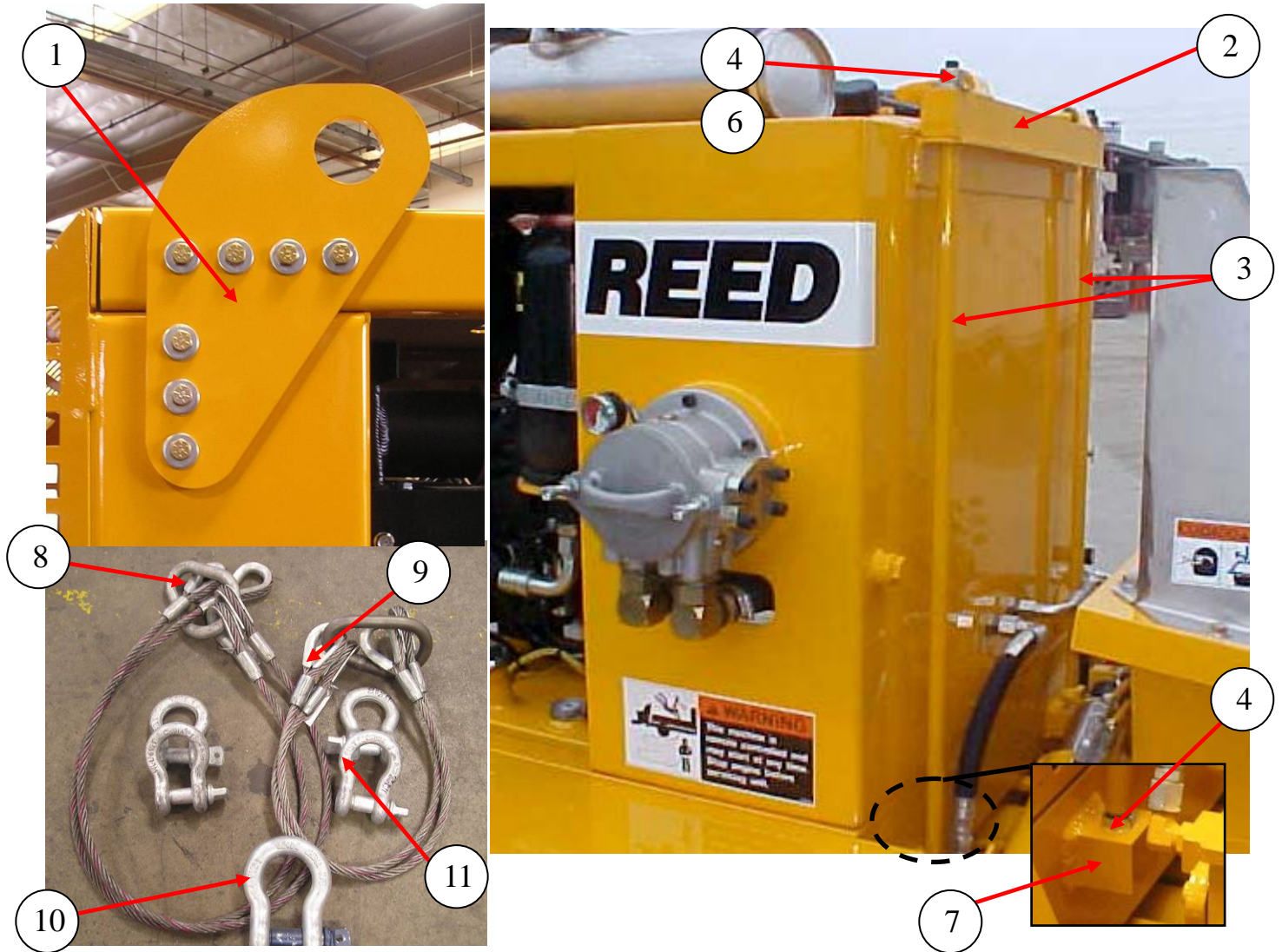
HYDRAULIC SURGE BRAKES (3 INCH EYE)



ID #	PART #	PART DESCRIPTION	QUANTITY	
		SURGE BRAKE W/PINTLE 9000 LB QUALITY AXLE		EA
1		SURGE BRAKE ACTUATOR PINTAL 7500 LB	1	EA
2		EYE-LUNETTE 3"	1	EA
3		BRACKET WELDMENT, SURGE BRAKE MOUNT	1	EA
4		TRAILER HARNESS, B-SERIES SURGE BRAKE	1	EA

OPTIONS

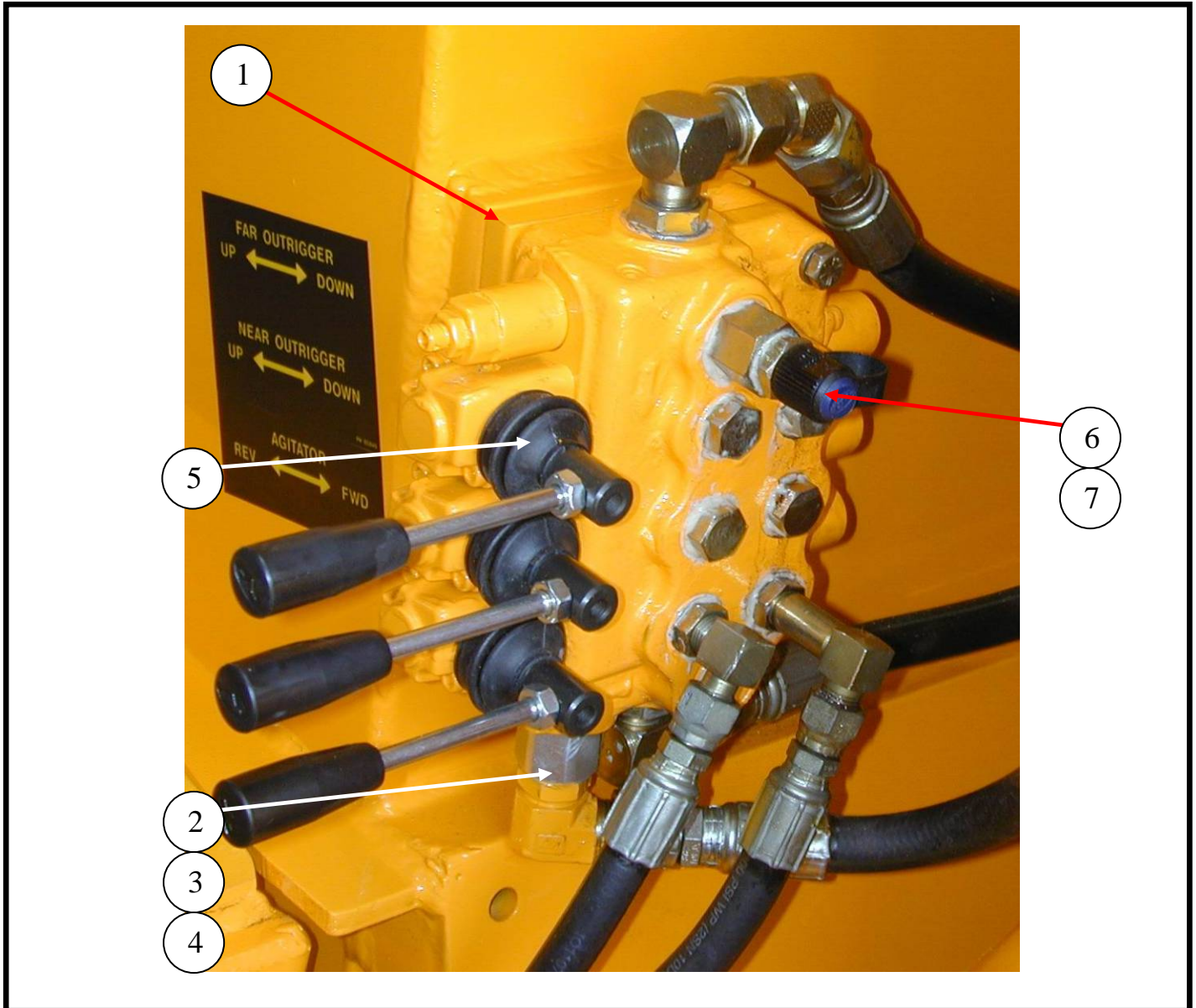
LIFTING EYE KIT



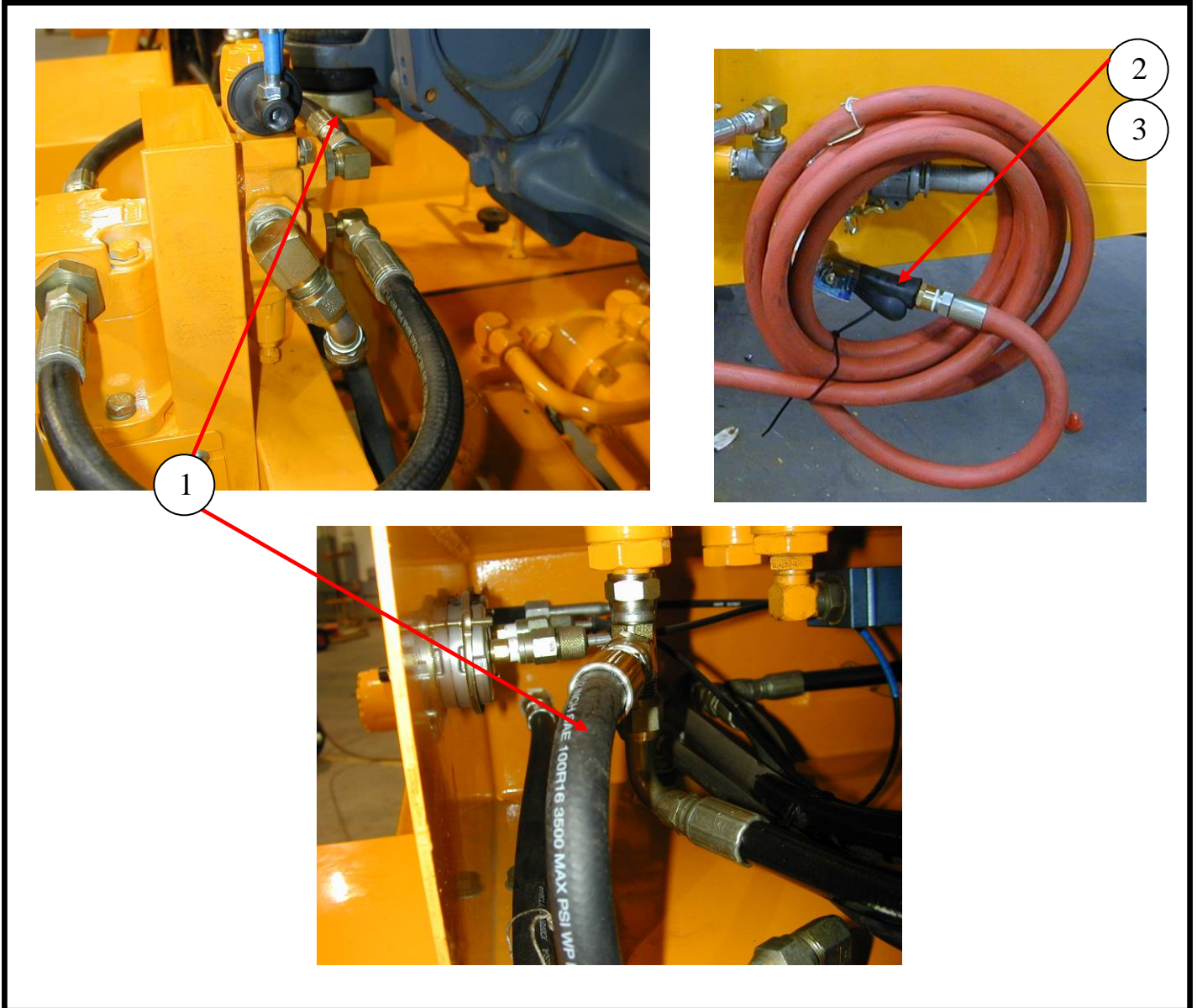
ID #	PART #	PART DESCRIPTION	QUANTITY	
	87859	LIFTING EYE ASSEMBLY B SERIES	REF	
1	87594	GUSSET ENGINE COVER PAINTED	2	EA
2	86799	LIFTING BAR, WELDMENT-REAR	1	EA
3	86762	LIFTING TIE ROD	2	EA
4	80008	HEX NUT 3/4-10UNC GR 8 ZINC	2	EA
5	80009	HEX JAMNUT 3/4-10UNC GR 8 ZINC	2	EA
6	80010	LOCKWASHER- 3/4-STL ZINC	2	EA
7	85823	BLOCK, TRALIER LIFTING	2	EA
8	86776	LIFT CABLE, FRONT	1	EA
9	86777	LIFT CABLE, REAR	1	EA
10	86778	SHACKLE, ANCHOR W/SCREW PIN	1	EA
11	86811	SHACKLE, ANCHOR W/SCREW PIN	4	EA

OPTIONS

WATER PUMP



ID #	PART #	PART DESCRIPTION	QUANTITY	
	86720	WASH PUMP INSTALLATION, B-SERIES	REF	EA
1	86692	SPACER, AGITATOR VALVE	1	EA
2	86384	POWER BEYOND SLEEVE - VALVIOL	1	EA
3	86746	FITTING, 90° MB-MJ-90-8-10	1	EA
4	85657-021	HOSE, 8M2T-10FJX-10FJX45-12.25	1	EA
5	74471-B	BOOT, COVER	3	EA
6				
7				

OPTIONS
WATER PUMP CONTINUED

ID #	PART #	PART DESCRIPTION	QUANTITY	
1	85657-023	HOSE, 8M2T-10FJX-10FJX45-52.00	2	EA
2	86267	WATER HOSE, 12 ENCONO-12FXP-12MP-20FT	1	EA
3	800098	NOZZLE, GARDEN HOSE	1	EA



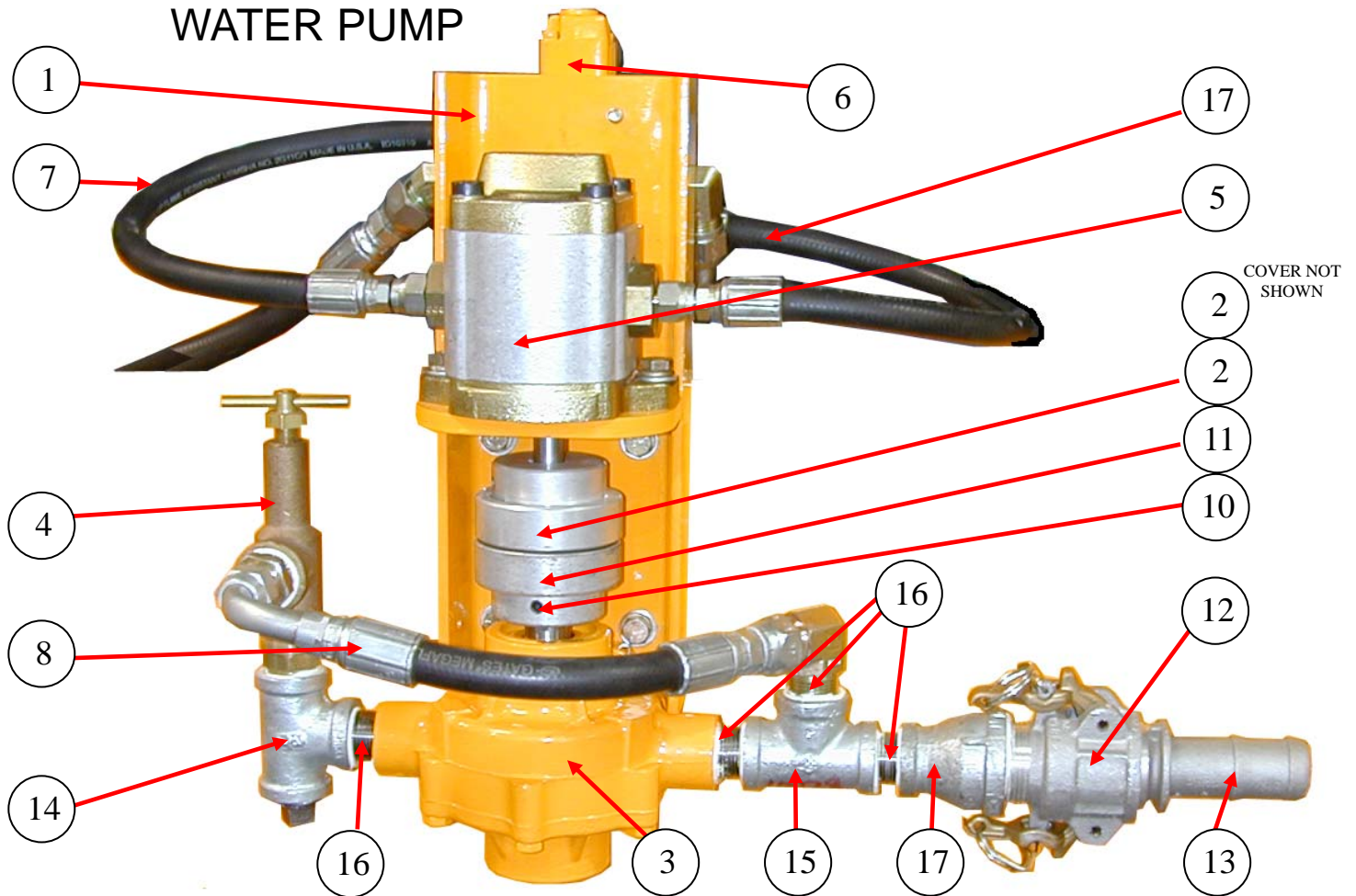
C50SCRV03

PARTS

13822 Oaks Avenue
Chino, CA 91710
reedpumps.com
(909) 287 - 2100

OPTIONS

WATER PUMP



ID #	PART #	PART DESCRIPTION	QUANTITY	
	86200	WASH PUMP ASSY		EA
1	86196	WASH PUMP BASE WLDMNT	1	EA
2	86199	COVER, WASH PUMP	1	EA
3	78157	WASHPUMP-HYPRO	1	EA
4	78128	VALVE-P/RELIEF 3/4	1	EA
5	78152	MOTOR-HYD. WASH PUMP	1	EA
6	86397	VALVE-MANUAL-1 SPOOL-3 WAY	1	EA
7	85658-002	HOSE, 6M2T-6FJX-17.00	2	EA
8	85657-022	HOSE, 8M2T-10FJX-10FJX90S-11.25	1	EA
9	78153	COUPLING FOR WASH PUMP-MOTOR	1	EA
10	78154	COUPLING FOR WASH PUMP	1	EA
11	78155	SPIDER, FOR WASH PUMP	1	EA
12	10948	COUPLING-CAM/GROOVE 1.25" FEM. X MPT	1	EA
13	10947	COUPLING-CAM/GROOVE 1.25" FEM. X MPT	1	EA
14	800371	FITTING, GARDEN HOSE	1	EA
15	10228	TEE, 3/4"	2	EA
16	40047	NIPPLE-CLOSE PIPE 3/4"	4	EA
17	86398	BELL REDUCER-3/4 X 1 1/4	1	EA